



# INSTALLATION INSTRUCTIONS

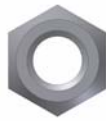
## Security Door Lockers #037

Please read and fill out the enclosed warranty registration card to activate your warranty.

### Shipping Package



○ (2) 5/16 x 1" Torx Bolts



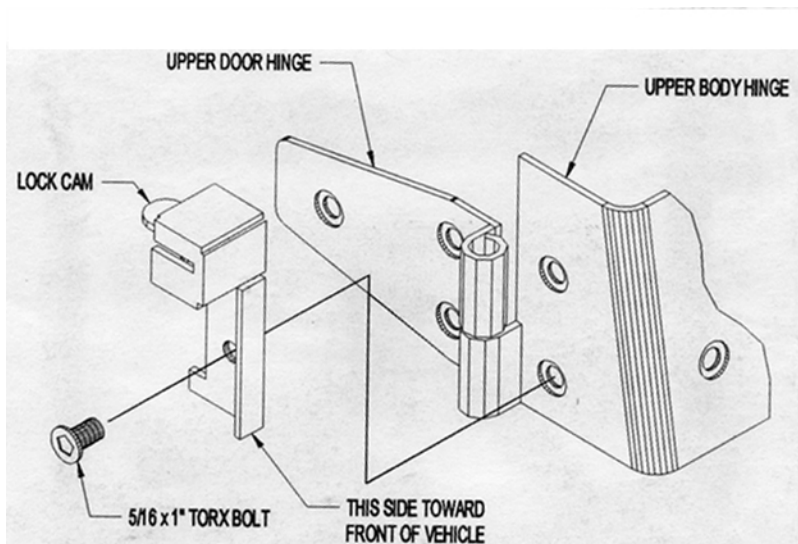
(2) 5/16" Nuts



(2) 5/16" Washers

### Mounting Directions

1. Remove the bottom bolt and nut from the top body hinge.
2. Using the 5/16"-1" torx bolt, washer, and nut provided, fasten the door locker to the vehicle and shown in the figure. **DO NOT OVER TIGHTEN!**
3. The locked position is with the cam over the door hinge pin.
4. Repeat for other side of vehicle.



Call (970)564-1762 for Technical Support