

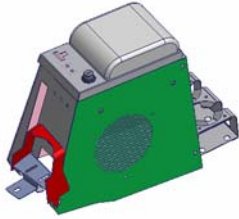


# INSTALLATION INSTRUCTIONS

TJ Security Console for Speaker Part #055

Please read and fill out the enclosed warranty registration card to activate your warranty.

## SHIPMENT CONTENTS



Console

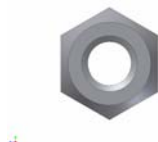


Mounting Bracket

## Shipping Package



(6) 5/16" Washers



(2) 5/16 Locknuts



(2) 10-32x1/2 Screws



(2) 10-32 Locknuts



(2) #10 Washers



(2) 1/4 x 3/4" Self Tapping Screws



(1) 1/4 x 1 3/4" Self tapping Screw



(2) 5/16-18 X 1 1/4" Bolts



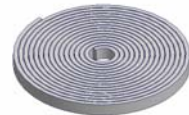
(3) 8 x 5/8 Phillips Screws



(2) 8 x 1 1/4" Phillips Screws



(2) 5/16-18 x 1/2" Bolts



Neoprene seal

## Tools Needed

- ❑ (1) ½" wrench or ratchet, socket, and extension
- ❑ (1) ½" wrench
- ❑ (1) 3/8" wrench or ratchet, socket, and extension
- ❑ (1) 5/16" Wrench
- ❑ (1) T-25 Torx
- ❑ Phillips head screwdriver
- ❑ 3/8" drill bit
- ❑ Electric drill
- ❑ Silicone sealant (not necessary but recommended)
- ❑ (1) T-30 Torx (2005 or newer Jeep)
- ❑ (1) 10mm Wrench (2005 or newer Jeep)

## Installation

1. Please read all instructions before starting installation.
2. It is recommended to use silicone sealant on any mounting points to the vehicle body to prevent future rust problems.
3. Removing one or both of the seats will make installation easier.
4. Apply the rubber seal to the underside of the lid. (SEE FIGURE 1)
5. Remove the (4) self-tapping screws from the factory console. Two are located inside the rear drink holder under the rubber liner, one is located inside the front drink holder under the rubber insert (save this insert you will reuse it), and one is under the gear shift boot on vehicles with a manual transmission or it is under the shifter plate on vehicles with an automatic transmission (shift boot or plate can be removed by gently pulling the plastic base up out of its mounting hole). Save these screws because you may reuse some of them.
6. Remove the factory console with the speaker box but leave the front shifter console in place.
7. Remove the (5) screws holding the speaker box to the factory console. Two are located inside the console, and three are located on the side.
8. Remove the (2) star washers holding the speaker box to the factory console.
9. Separate the factory console and the speaker box.
10. Attach the new rear drink holder to the Tuffy console using (2) 10-32 x ½ screws, (2) #10 washers, and (2) 10-32 locknuts.
11. Mount the new mounting bracket to the speaker box. To do this remove the screws holding the original rear bracket to the speaker box, place the new mounting bracket between the speaker box and the original rear bracket and fasten with the original hardware. (Be sure to reuse the original rear bracket in conjunction with the new mounting bracket) (See Figure 2)
12. Place the speaker box with the mounting bracket in the vehicle and line it up with the original mounting holes. Using (2) ¼ X ¾" self-tapping screws fasten down the rear brackets to the original mounting holes. (See Figure 2)

**Warning! Make sure that there is nothing under the vehicle that will be damaged by the drill bit when drilling; the emergency brake is close to the drilling location.**

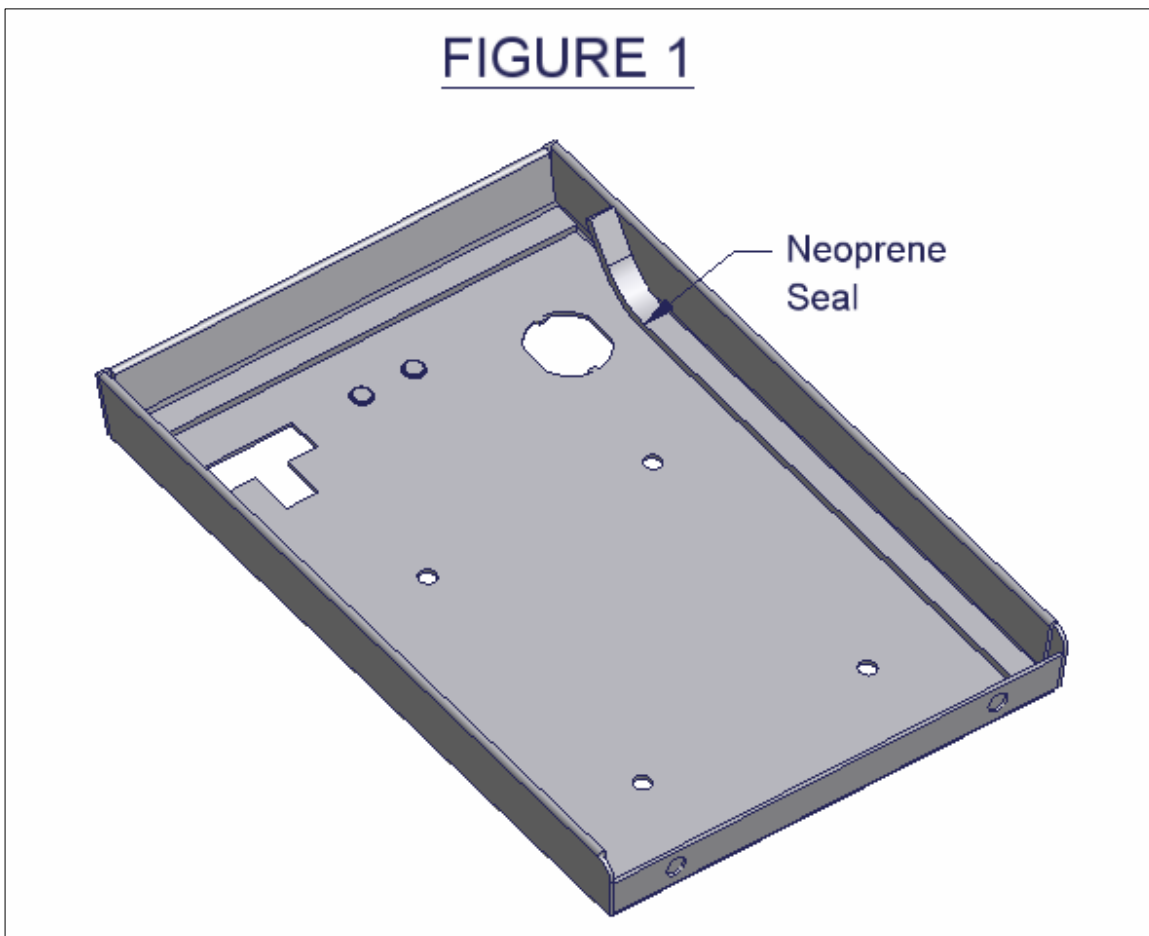
13. Check the front original mounting hole to make sure it is still lined up with the speaker box then mark and drill out the (2) new rear mounting holes. (See Figure 2) **Be sure to inspect under the vehicle to ensure nothing was damaged by the drill bit.**
14. Fasten the rear mounting bracket to the floor using (2) 5/16 x 1 ¼ Bolts, (4) 5/16 Washers, and (2) 5/16 Locknuts. (See Figure 2)
15. Install the Tuffy console over the top of the speaker box. The original front shifter console may have to be slightly lifted so the Tuffy console can be slipped under it.
16. Bolt the Tuffy console to the new mounting bracket using (2) 5/16 x ½" Bolts and washers. (See Figure 3) A small screwdriver may need to be used to maneuver the mounting bracket in order to line up the mounting holes.
17. Fasten the Tuffy console to the speaker box using (3) 8 x 5/8 Panhead Phillips screws and (2) 8 x 1 ¼" Panhead Philips screws. (See Figure 3)
18. Reinstall the original screw in the front shifter console under the shift boot and insert the shift boot back into its original position.
19. Line up Tuffy console with original front shifter console and fasten down through the original front drink holder mounting hole, the Tuffy console, and the speaker box using a ¼ x 1 ¾ Self tapping screw. (See Figure 3)
20. Place the original front drink holder insert back in the slots on the original front shifter console and the new Tuffy console.
21. Check the emergency brake operation.
22. Check lock operation. The rubber seal will need to be compressed initially and will wear-in with time.
23. Lock it up!

Call (970) 564-1762 for Technical Support

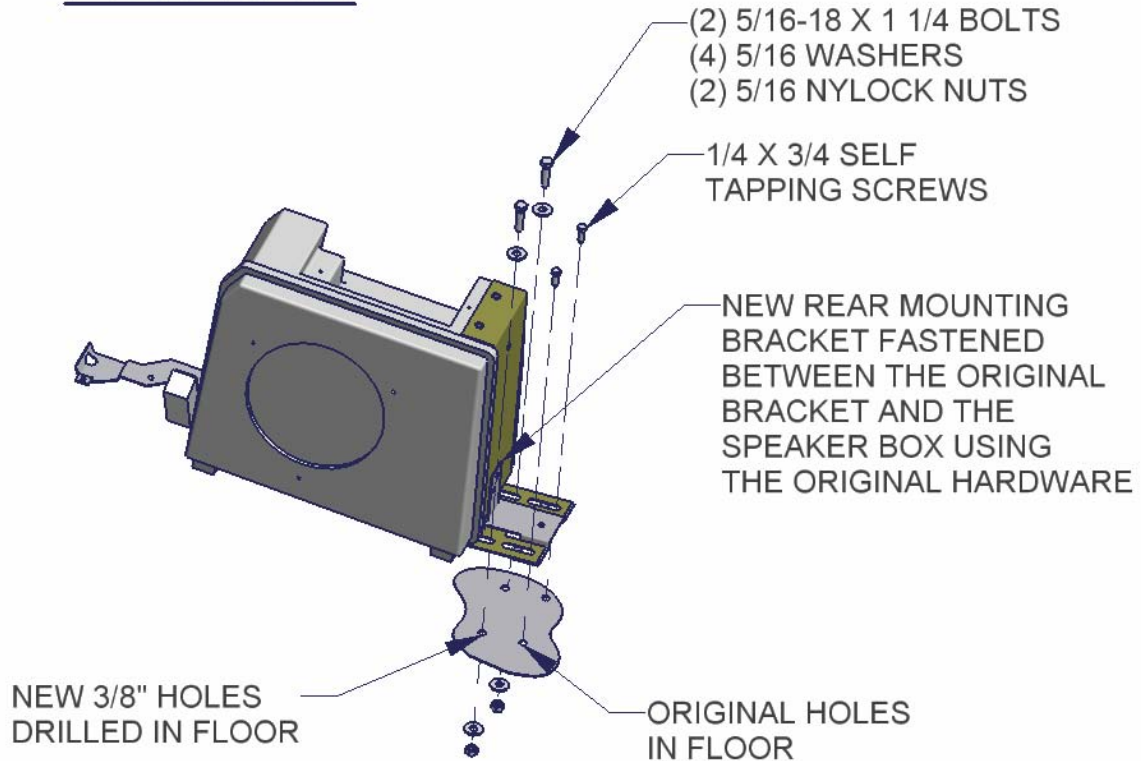
# ATTENTION:

## ***FREQUENT LUBRICATION IS NECESSARY ON THE LOCKING SYSTEM***

The pushbutton lock contains an “O” ring seal to protect the interior from dust and water. If this mechanism is not lubricated regularly it will become difficult to operate and it may not return to its home position preventing the key from operating the lock. If this happens simply pull up on the pushbutton to manually bring it back to its home position. Lubricate the pushbutton with a light lubricant such as silicone spray. The pushbutton may have to be periodically disassembled and cleaned.



## FIGURE 2



## FIGURE 3

