



# INSTALLATION INSTRUCTIONS

## Security Bolt Lock #104

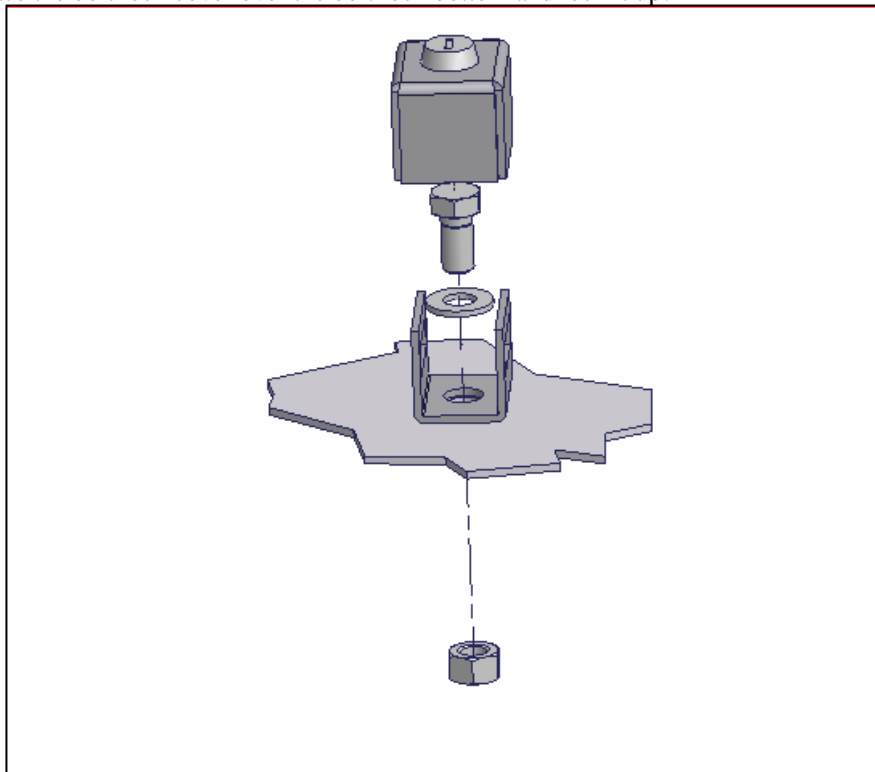
Please read and fill out the enclosed warranty registration card to activate your warranty.

**PLEASE READ ALL INSTRUCTIONS THOROUGHLY BEFORE STARTING INSTALLATION.**

**The Tuffly Security Bolt Lock is designed to secure a wide range of valuable equipment including winches, air compressors, generators, and any other equipment that can be bolted down. Additional bolt lockers can be keyed alike, contact your local dealer or Tuffly Security Products directly.**

Refer to the figure below during installation

1. The neoprene seal included can be used between the bolt locker and the mounting surface to prevent scratching and corrosion. The seal can also be used to stop rattles if necessary.
2. Remove the bolt you wish to secure.
3. Place the bolt lock bottom over the mounting hole.
4. Bolt the bolt lock bottom down as shown in the figure. The Tuffly Security Bolt Lock accommodates up to a 5/8" Bolt. With smaller bolts be sure a washer or a stack of washers with progressively smaller holes if necessary.
5. Place the bolt lock cover over the bolt lock bottom and lock it up!



Call (970) 564-1762 for Technical Support