

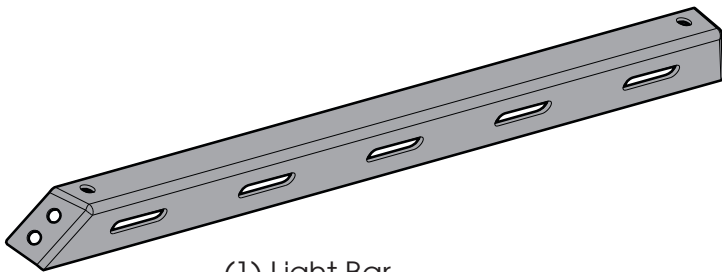
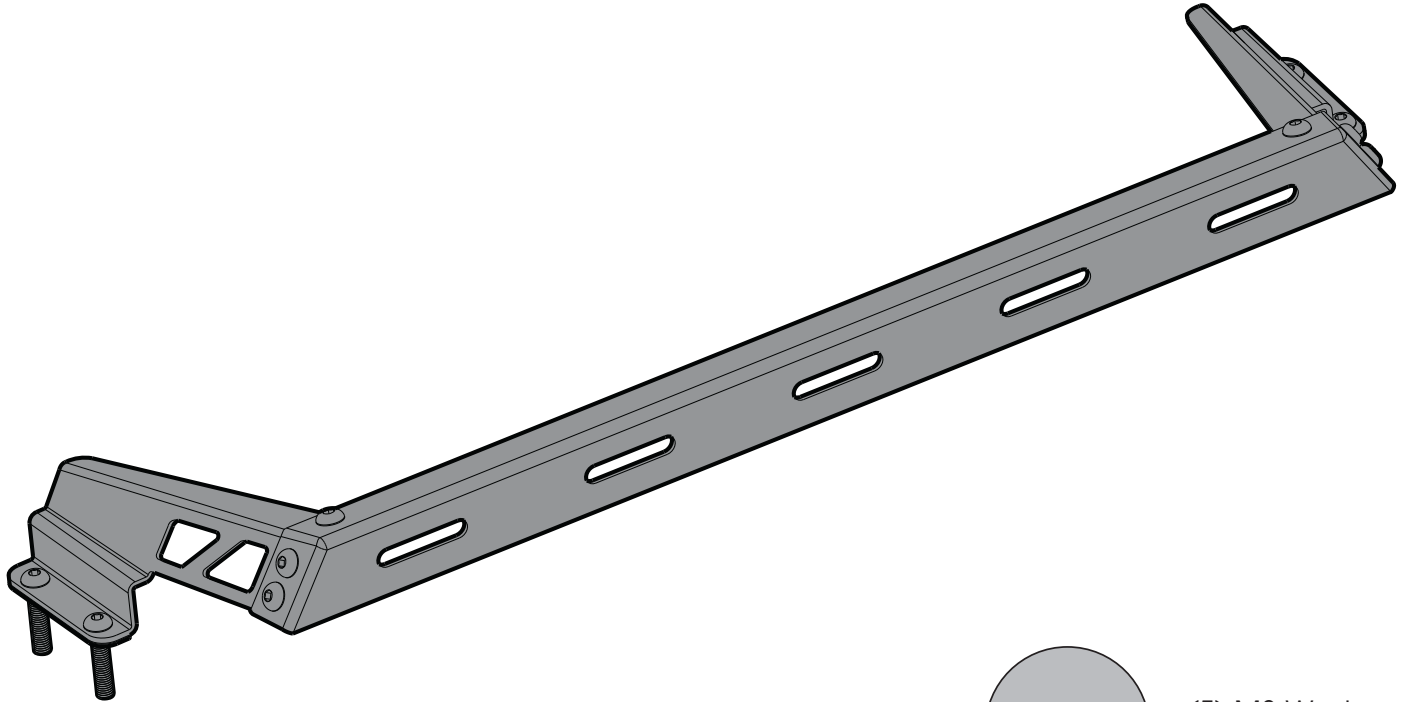


OMIX-ADA, Inc.

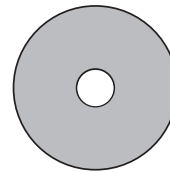


11232.03  
11232.10

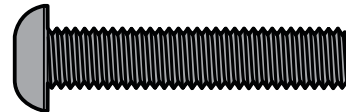
# JEEP® JK HOOD MOUNT LIGHT BAR



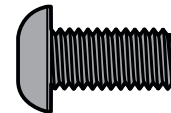
(1) Light Bar



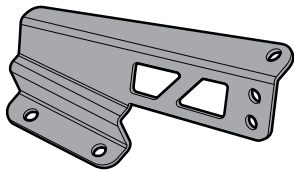
(5) M8 Washers,  
For LED Lights



(4) Long Bolts



(6) Short Bolts



(2) Hood Mount Arms L&R



(2) Gaskets

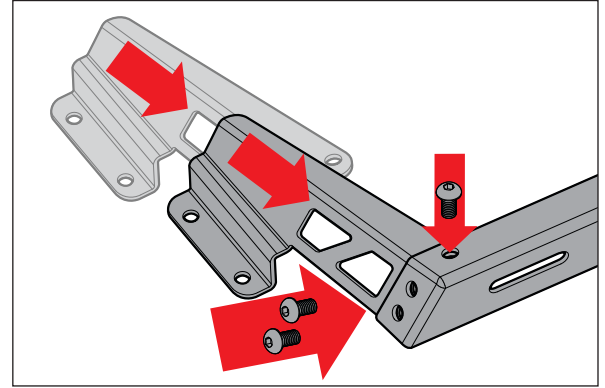
**OMIX-ADA® TECHNICAL SUPPORT**

**PHONE:** M-F 8am - 5pm EST 1-800-449-6649 | **EMAIL:** techsupport@omix-ada.com

**FOR WARRANTY INFORMATION VISIT:** [www.Omix-Ada.com](http://www.Omix-Ada.com)

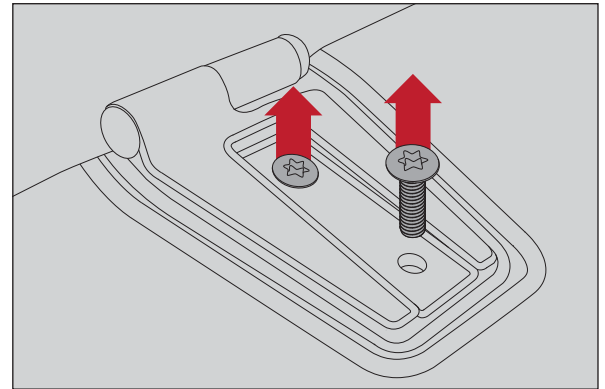
## JEEP® JK HOOD MOUNT LIGHT BAR

1. Attach Hood Mount Arms to Light Bar using short bolts.



2. Remove the hood hinge bolts.

**NOTICE** Do not open/move the hood while hinge bolts are detached to prevent any possible damage or misalignment.



3. Attach Hood Mount Light Bar to hood using long bolts.

**NOTICE** Be sure the gaskets provided are placed between hood and the Hood Mount Light Bar.

