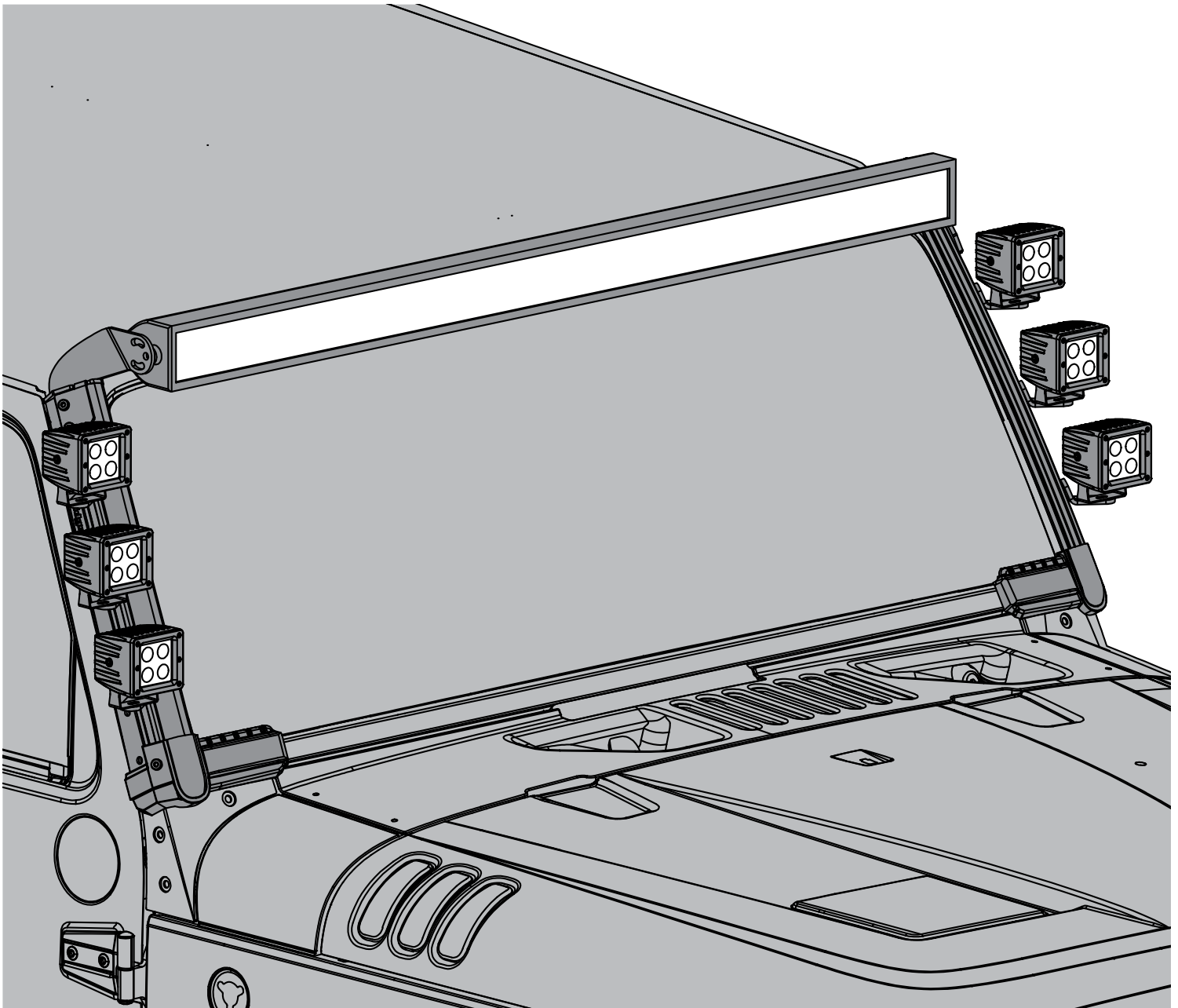


# Fast Track Mounting System for 50" Light Bar

PATENT PENDING

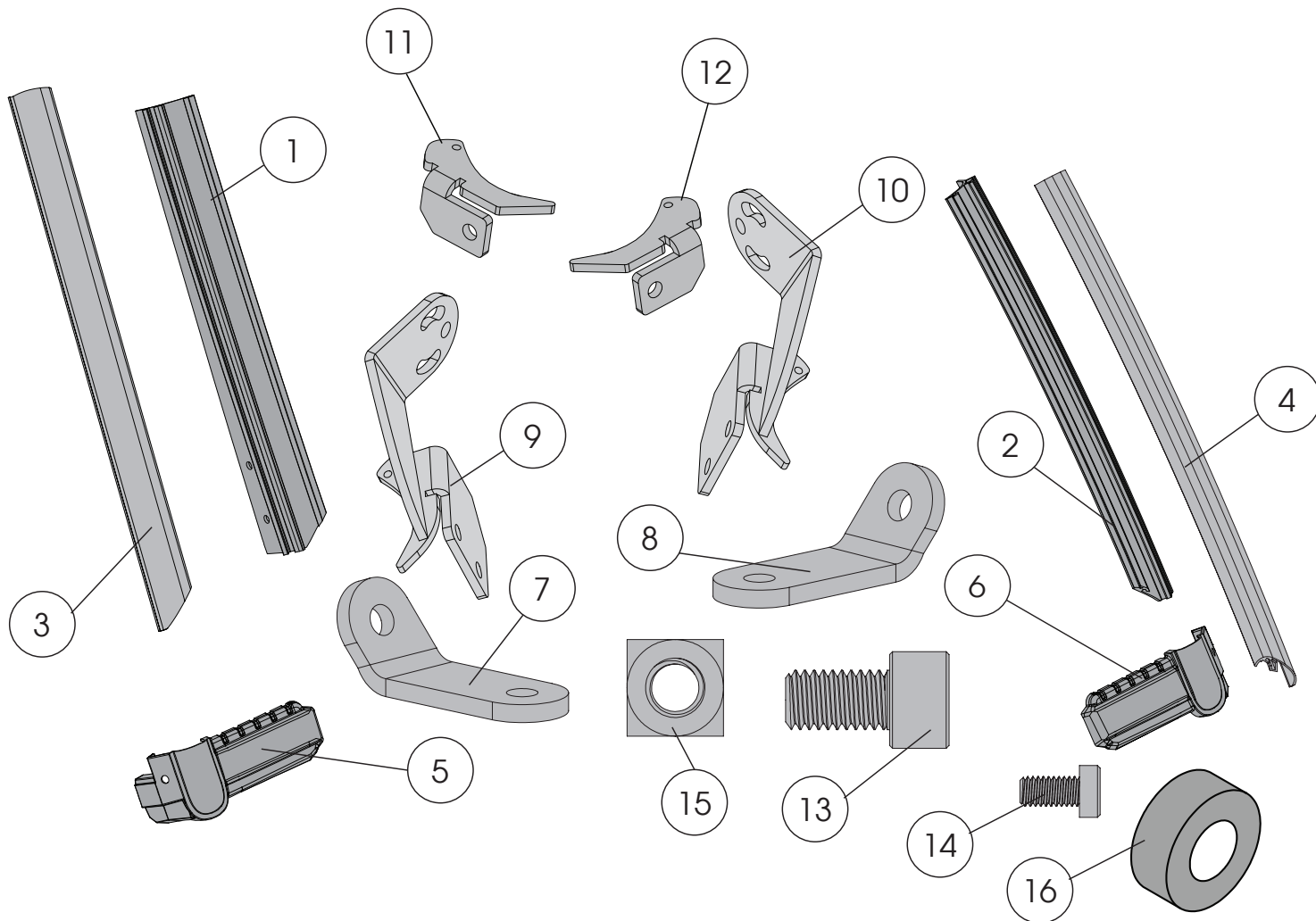


**OMIX-ADA® TECHNICAL SUPPORT**

**PHONE:** M-F 8am - 5pm EST 1-800-449-6649 | **EMAIL:** techsupport@omix-ada.com

**FOR WARRANTY INFORMATION VISIT:** [www.Omix-Ada.com](http://www.Omix-Ada.com)

# Fast Track Mounting System for 50" Light Bar PATENT PENDING



## Components

- |                         |     |                     |      |
|-------------------------|-----|---------------------|------|
| 1. A-Pillar Cover, RH   | (1) | 9. LED Bracket, LH  | (1)  |
| 2. A-Pillar Cover, LH   | (1) | 10. LED Bracket, RH | (1)  |
| 3. Wire Cover, RH       | (1) | 11. Upper Cap, LH   | (1)  |
| 4. Wire Cover, LH       | (1) | 12. Upper Cap, RH   | (1)  |
| 5. Lower Cap, RH        | (1) | 13. M8 Bolt         | (14) |
| 6. Lower Cap, LH        | (1) | 14. M4 Bolt         | (2)  |
| 7. A-Pillar Bracket, RH | (4) | 15. M8 Square Nut   | (14) |
| 8. A-Pillar Bracket, LH | (4) | 16. Spacer          | (4)  |

### OMIX-ADA® TECHNICAL SUPPORT

PHONE: M-F 8am - 5pm EST 1-800-449-6649 | EMAIL: techsupport@omix-ada.com

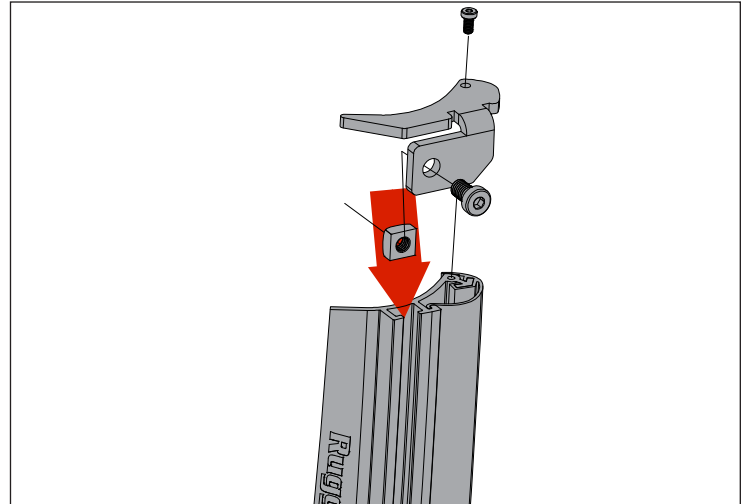
FOR WARRANTY INFORMATION VISIT: [www.Omix-Ada.com](http://www.Omix-Ada.com)

# Fast Track Mounting System for 50" Light Bar PATENT PENDING

**NOTICE** Skip to step 2 if using 50 inch LED bar.

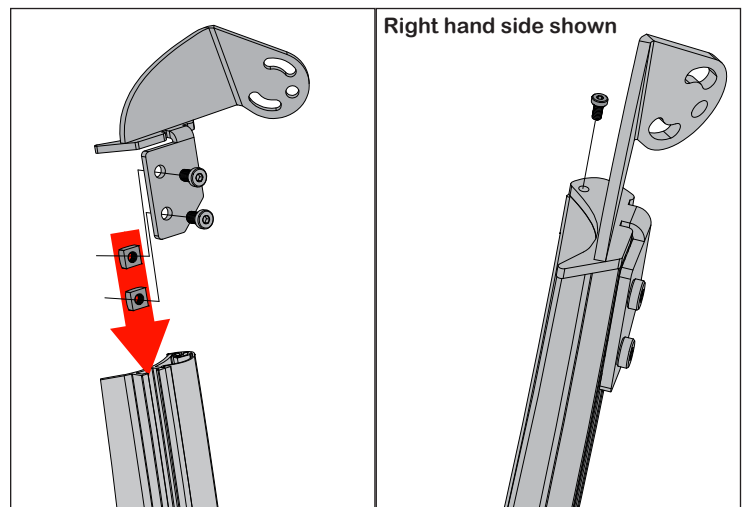
1. Construct A-pillar Assembly by attaching Upper Cap to the top of A-Pillar Covers using M8 Bolt and M8 Square Nut. Slide M8 Square Nut down channel on A-Pillar Covers. Using M4 Bolt, secure Upper Cap to top of A-Pillar Cover.

**NOTICE** If attaching accessories to A-pillar Assembly, skip to Step 3.

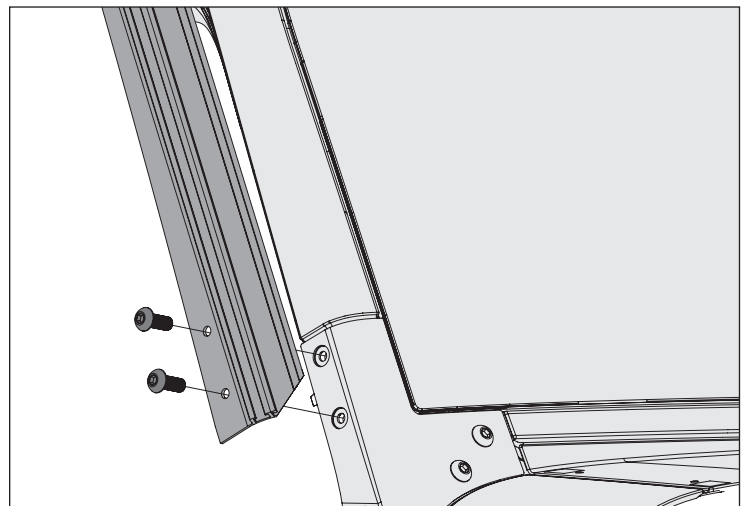


2. Construct A-pillar Assembly by attaching LED Bracket to the top of A-Pillar Covers using M8 Bolt and M8 Square Nut. Slide M8 Square Nut down channel on A-Pillar Covers. Using M4 Bolt, secure LED Bracket to top of A-Pillar Cover.

**NOTICE** If not attaching accessory to A-pillar Assembly, skip to Step 5.



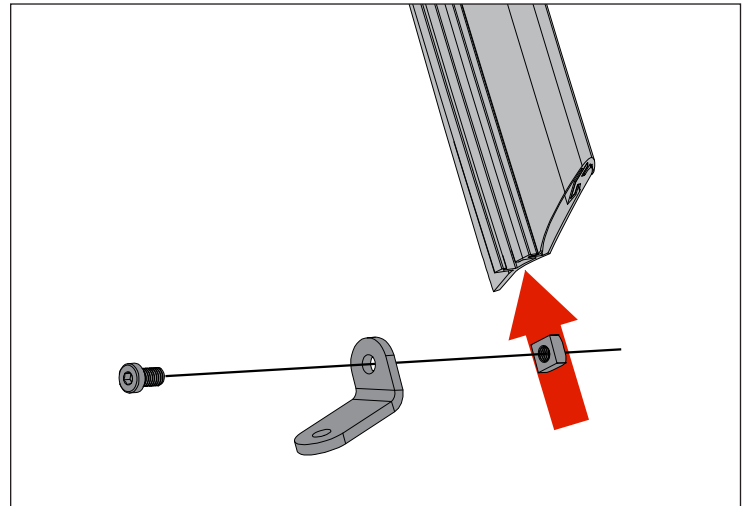
3. Using T40 Torx wrench, remove two upper OE bolts on windshield brackets. Loosely attach A-Pillar Covers using previously removed OE bolts.



## Fast Track Mounting System for 50" Light Bar PATENT PENDING

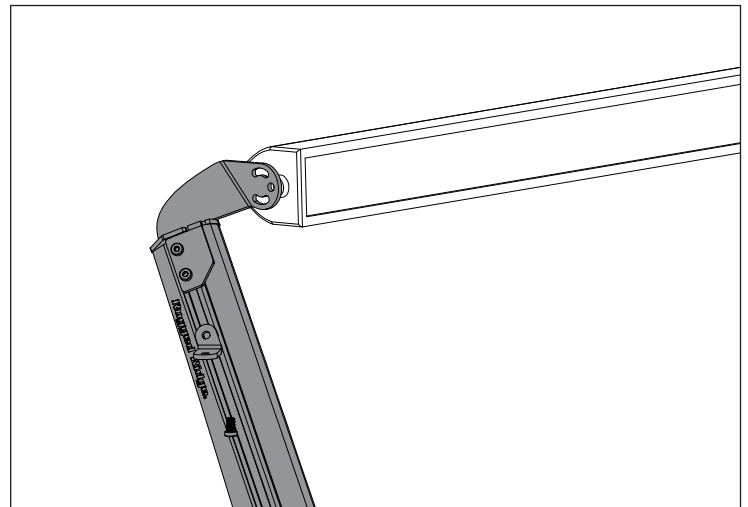
4. Attach A-Pillar Bracket using M8 Bolt and Square Nut in A-pillar Cover's channel. Attach accessory to A-Pillar Bracket. Align accessory per personal preference. To allow easier installation of Lower Caps, remove A-pillar Assembly from vehicle.

**NOTICE** If wiring lights, mark locations on wire cover for cutting holes.



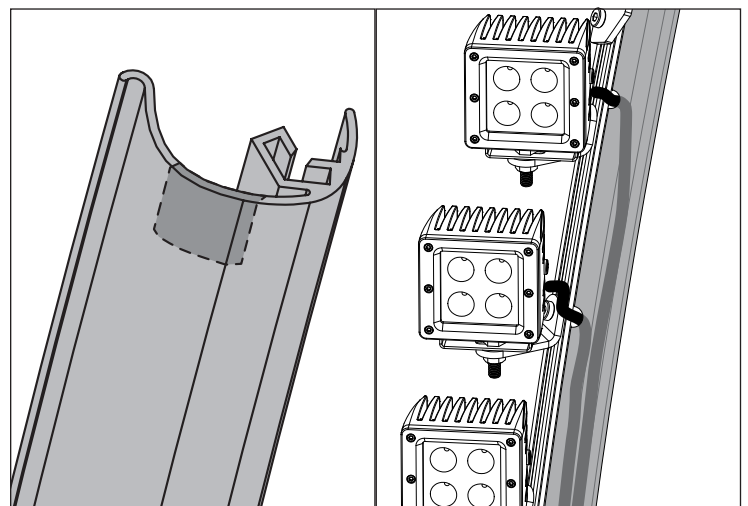
**NOTICE** If not installing 50 inch LED bar, skip to step 6.

5. Using mounting hardware included with your LED bar and supplied Spacer, attach A-pillar Assemblies to LED bar.



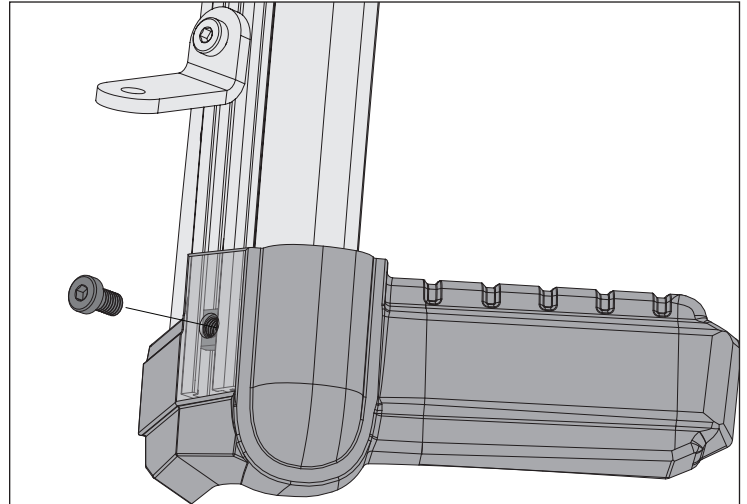
6. Remove Wire Cover from A-pillar Assembly. Create a small cutout at top of Wire Cover for wire routing. Cut out holes marked in Step 3.

7. Reattach Wire Cover to A-pillar Bracket and feed wires through created hole(s) into channel behind Wire Cover.

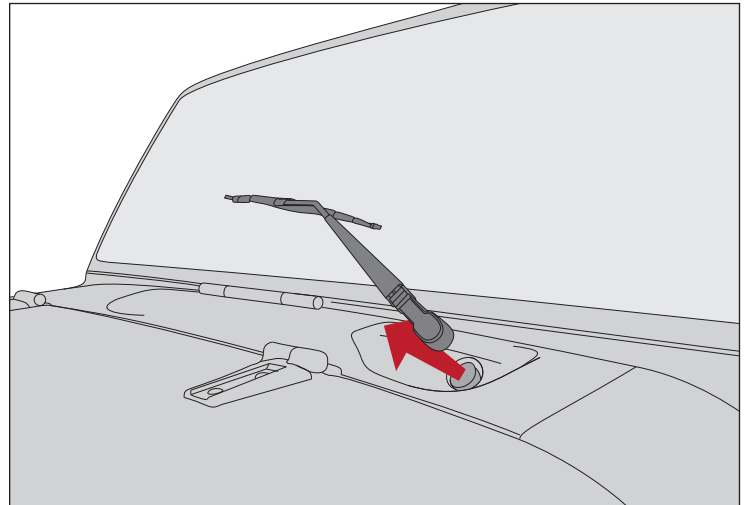


## Fast Track Mounting System for 50" Light Bar PATENT PENDING

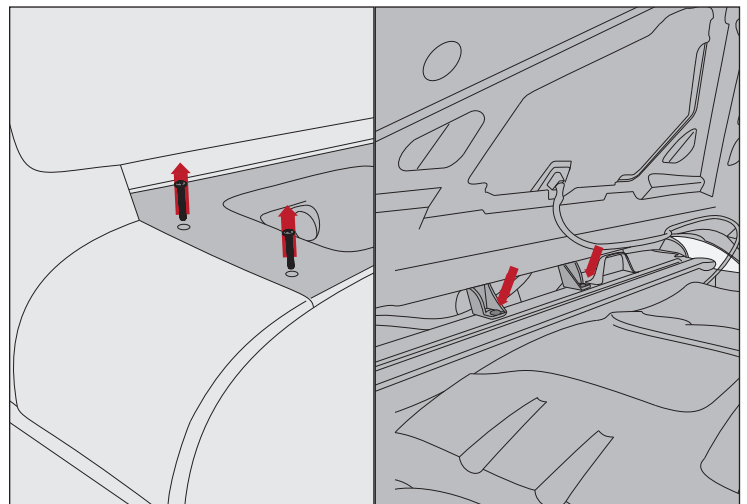
8. Attach Lower Cap to A-Pillar Cover using M8 Bolt and M8 Square Nuts.



9. Remove Windshield wipers arms from vehicle.



10. Remove cowl screws using T30 Screw driver or socket. Lift hood. Carefully remove cowl center plastic retainer clips using a flat head screw driver and carefully remove cowl cover from vehicle. Close hood.



## Fast Track Mounting System for 50" Light Bar PATENT PENDING

11. Position Light Bar Assembly on factory windshield bracket and attach using OE bolts.

**CAUTION** Use helper to mount Light Bar Assembly to vehicle.

12. Make any needed adjustments to lights and finish running wires. Reattached cowl cover and windshield wiper arms.

