

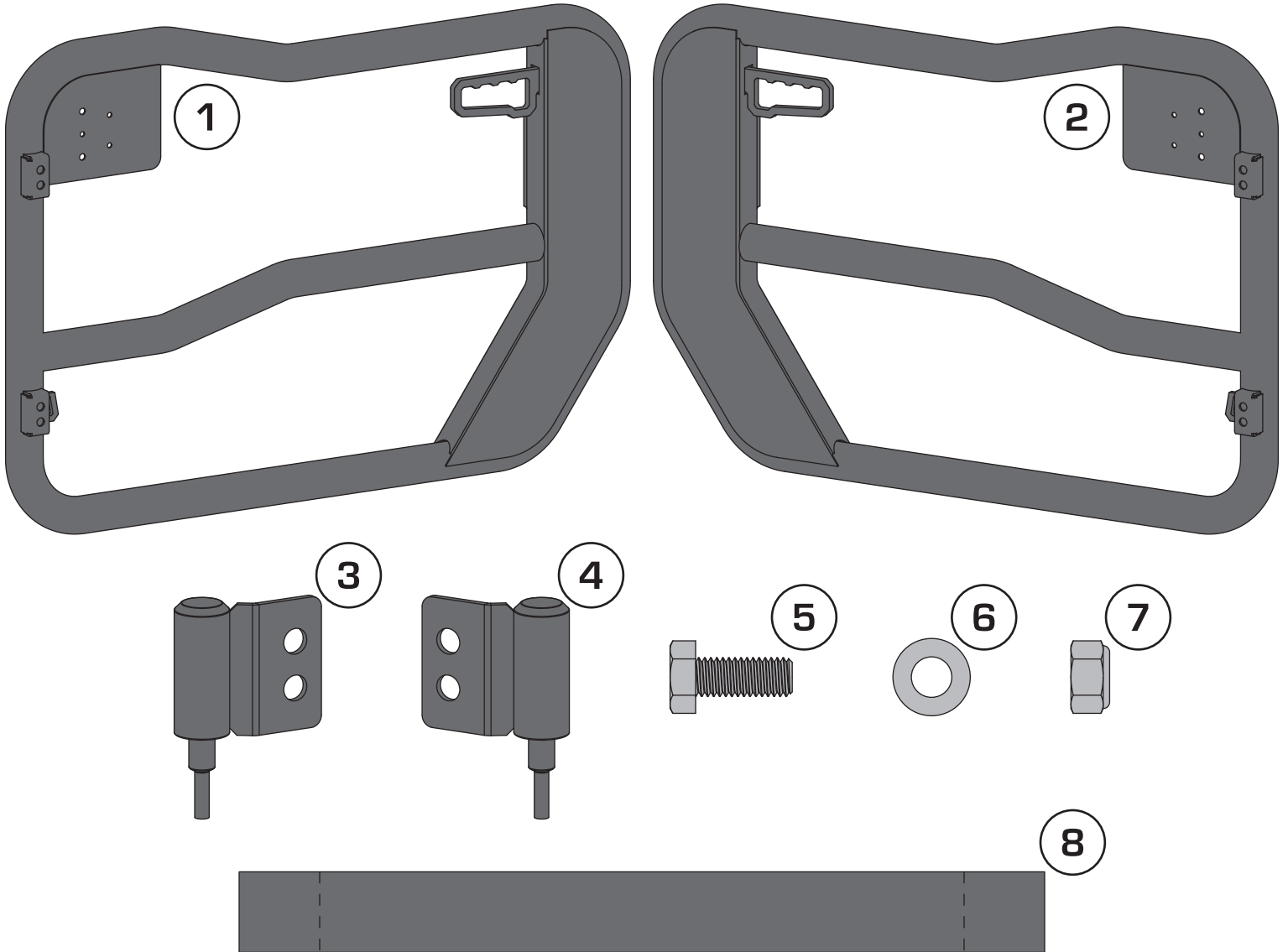


OMIX-ADA, Inc.

Part # 11509.13

460 HORIZON DR. SUITE 400 | SUWANEE, GA 30024 | PHONE: 770-614-6101 | FAX: 844-270-0593 | www.Omix-ADA.com

# Front Tube Doors, JL Wrangler



## Components

- |                      |     |                |      |
|----------------------|-----|----------------|------|
| 1. Tube Door - Left  | (1) | 5. M8 Bolt     | (8)  |
| 2. Tube Door - Right | (1) | 6. M8 Washer   | (16) |
| 3. Hinge Pin - Left  | (2) | 7. M8 Lock Nut | (8)  |
| 4. Hinge Pin - Right | (2) | 8. Check Strap | (2)  |

### OMIX-ADA® TECHNICAL SUPPORT

PHONE: M-F 8am - 5pm EST 1-800-449-6649

FOR WARRANTY OR TECH CONCERNS EMAIL: [webmaster@omixsupport.com](mailto:webmaster@omixsupport.com)



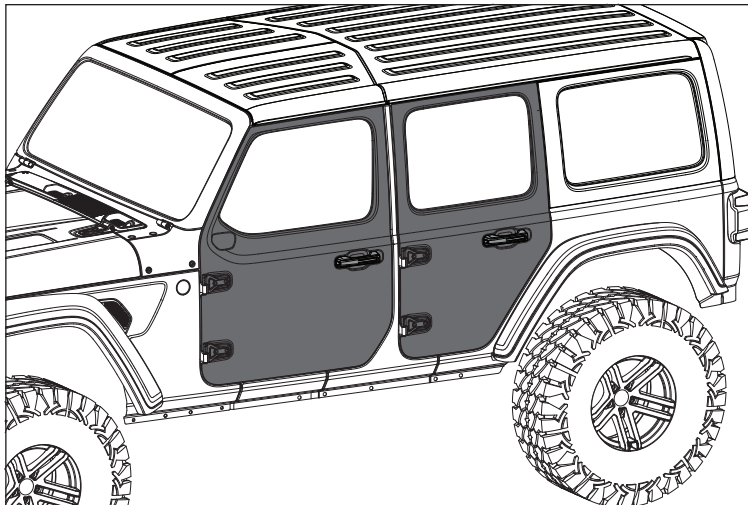
OMIX-ADA, Inc.

460 HORIZON DR. SUITE 400 | SUWANEE, GA 30024 | PHONE: 770-614-6101 | FAX: 844-270-0593 | www.Omix-ADA.com

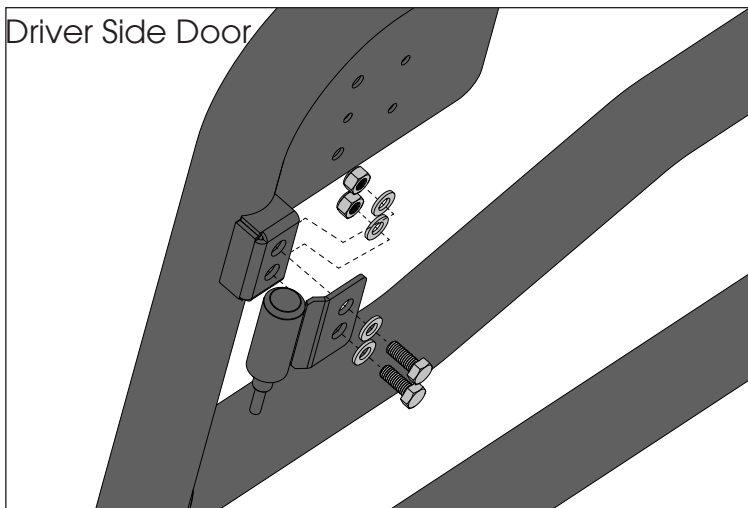
# Front Tube Doors, JL Wrangler

1. Remove doors from vehicle as instructed in factory supplied user manual.

**NOTICE** Door removal may require assistance from another person.

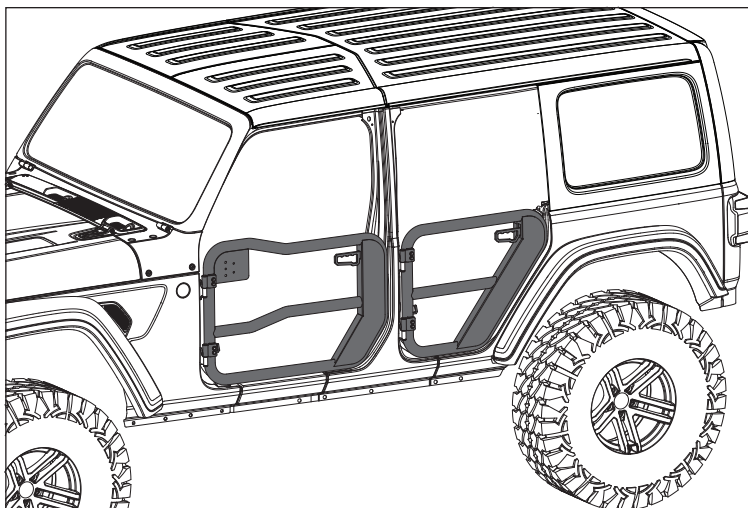


2. Loosely install Hinge Pins on Tube Doors using supplied M8 hardware.



3. Using caution, slowly insert Tube Door in door hinges and reinstall factory door nuts.

**NOTICE** Tube Door installation may require assistance from another person.





OMIX-ADA, Inc.

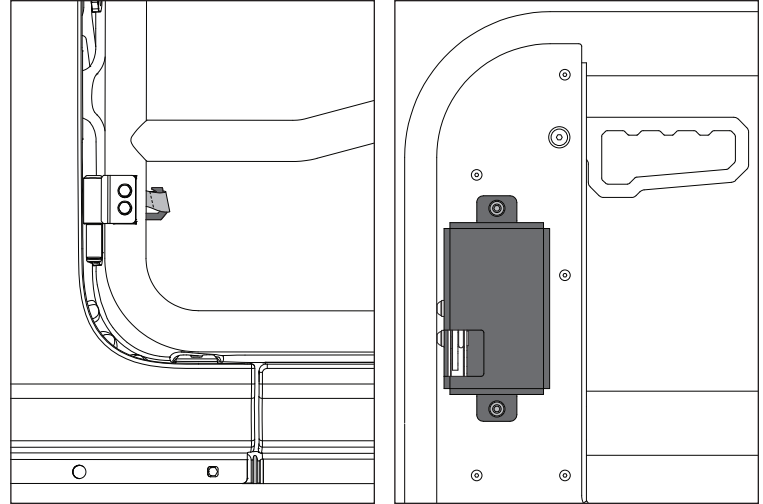
460 HORIZON DR. SUITE 400 | SUWANEE, GA 30024 | PHONE: 770-614-6101 | FAX: 844-270-0593 | www.Omix-ADA.com

## Front Tube Doors, JL Wrangler

4. Close Tube Door and tighten Hinge Pin hardware. Install Check Strap and cycle Tube Door open and closed to ensure Hinge Pins are properly aligned and fully seated in door hinge.

### NOTICE

If door does not close after Hinge Pin alignment, loosen two M6 bolts securing latch box to door. Adjust latch box position until door closes properly.



5. If desired, install mirrors on Tube Doors.

**NOTE:** Rugged Ridge offers the following mirror options for use with Rugged Ridge Front Tube Doors for JL

- 11002.23 - JL Tube Door Mirror Kit  
\*Installs in yellow holes\*
- 11025.1x - TJ/JK Quick Release Mirrors  
\*Installs in red holes\*
- 11025.2x - JL Trail Mirrors  
\*Installs in windshield hinge\*

