



INSTALLATION INSTRUCTIONS

JEEP TJ & LJ Hood Lock #137

Please read and fill out the enclosed warranty registration card to activate your warranty.

PARTS CHECKLIST



#1 Bracket, Hood Lock

SHIPPING PACKAGE CHECKLIST



#5.3 – 1/4-20x1" BOLT



#5.1 - (2) 1/4" SAE WASHERS



#5.2 – 1/4-20 NYLOCK NUT

TOOLS NEEDED

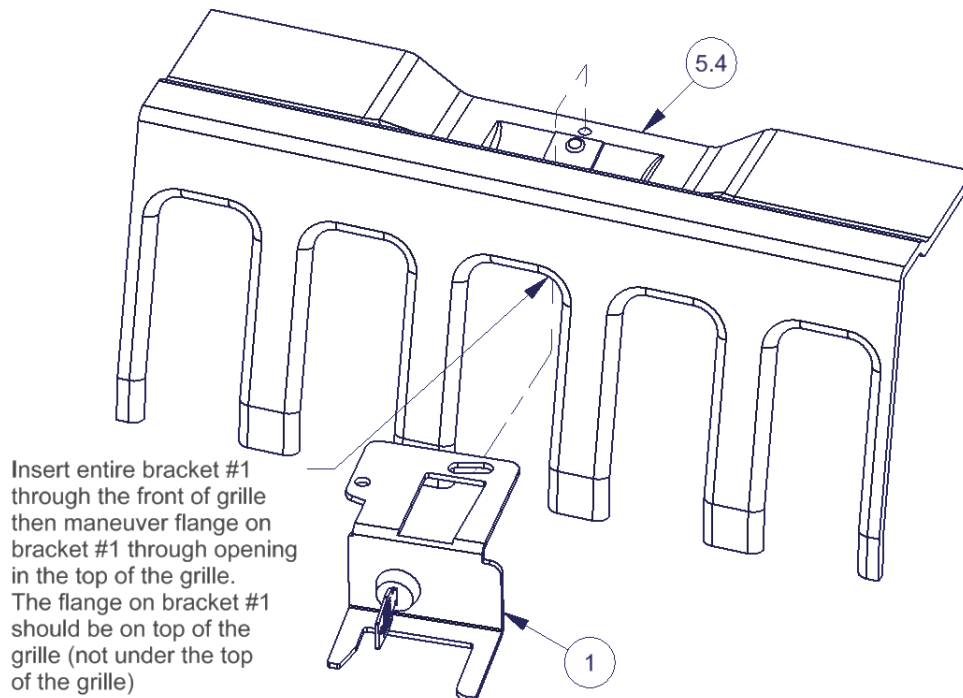
- 7/16" socket and wrench

ATTENTION: THIS HOOD LOCK WAS DESIGNED FOR A STOCK OEM VEHICLE, ANY MODIFICATIONS MADE TO THE GRILLE, RADIATOR, ETC MAY AFFECT THE FIT.

PLEASE READ ALL INSTRUCTIONS THOROUGHLY BEFORE STARTING INSTALLATION.

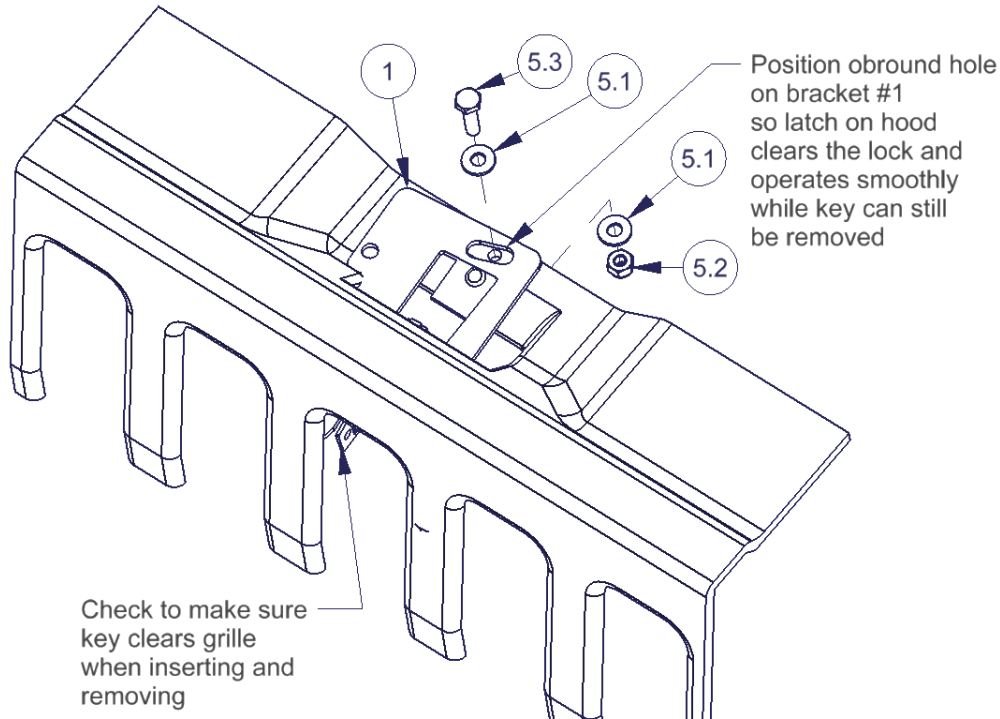
1. **IMPORTANT!** Make sure the vehicle is parked on a flat surface, placed in park, and the emergency brake is activated.
2. ***If you purchased a #091 dust cover, install it prior to mounting the hood lock to the vehicle. See instructions appendix A located at the end for installation.***
3. Raise the vehicle hood and prop it open.
4. Maneuver the #1 Bracket through the front of the grille #5.4 then insert the flange on the #1 bracket up through the rectangle slot in the top of the grille #5.4 and line up the holes as illustrated. (See Figure 1 & 2)

FIGURE 1



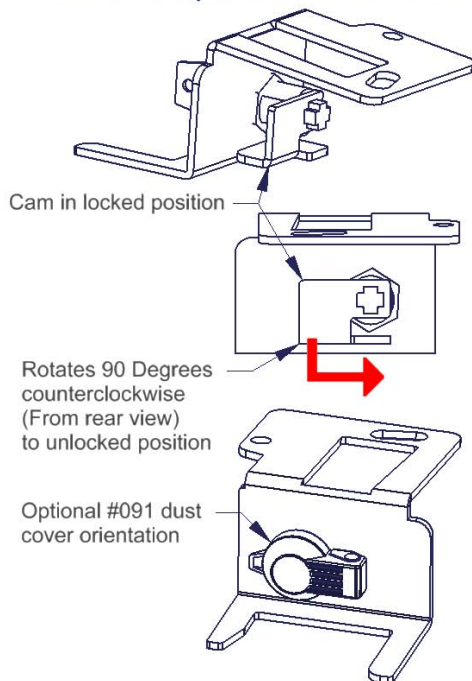
- Fasten the flange on the #1 bracket to the top of the grille as illustrated using the hardware provided. Before completely tightening the hardware check that the latch in the hood will clear the #1 bracket hood lock assembly when the hood is closed and that the key can be removed in the locked and unlocked position. Rotate the key clockwise to the unlocked position and counterclockwise to the locked position to test. Reposition the #1 bracket as needed for clearance then tighten the hardware. (See Figure 2)

FIGURE 2



Appendix A instructions

Cam and optional #091 Dust Cover installation & orientation



#091 Dust Cover installation steps

- Remove the small nut on the back of the camlock and remove the cam. Be careful not to pull the lock core out of the camlock housing.
- Remove the large nut on the backside of the camlock and pull the camlock out of the bracket.
- Insert the dust cover on the camlock as illustrated.
- Refasten the camlock to the bracket with the large nut.
- Insert the cam and check the rotation as illustrated.
- Tighten the small nut holding the cam to the camlock.
- Test the cam operation.

Call (970)564-1762 for Technical Support