



INSTALLATION INSTRUCTIONS

Toyota Tacoma bed security lockbox, Part # 161
Please read and fill out the enclosed warranty registration card to activate your warranty.

Tools Needed

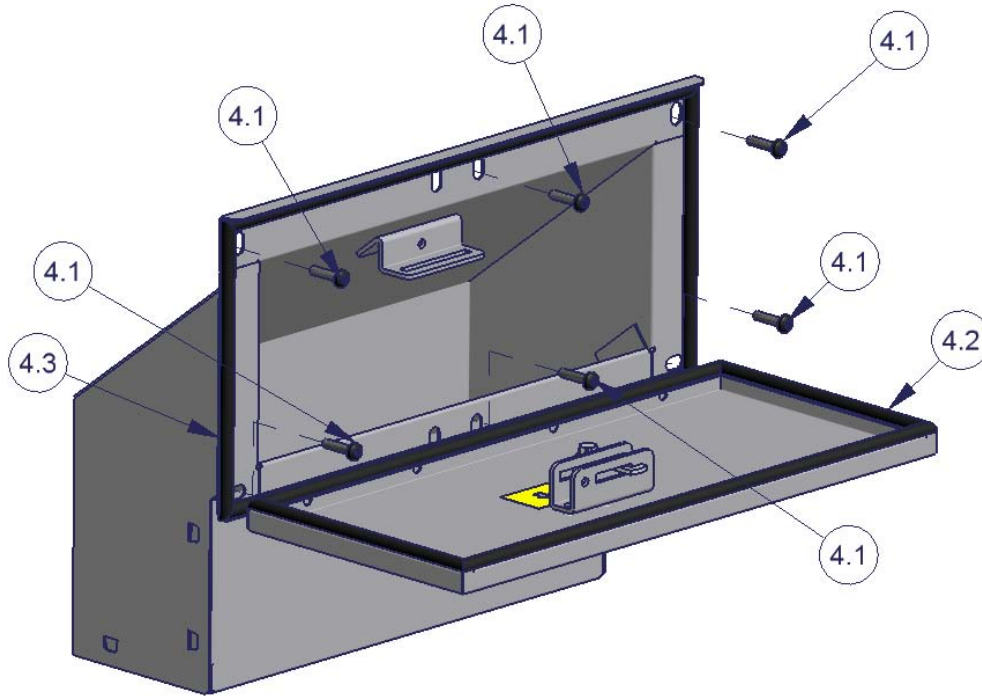
- T-30 Torx

Mounting Directions

Note: The Tuffy lockbox can be mounted on either the right or left side of the bed depending on factory options and preference.

1. Remove the (5) torx screws #4.1 holding the factory box in the bed then remove it from the bed.
2. Insert the Tuffy lockbox in the bed and fasten using the factory hardware #4.1 previously removed. The bottom center screw is difficult but possible to install and is necessary for stability. If your tooling does not get the screw tight we suggest using lock tight and then getting the screw as snug as possible. (See Figure 1)
3. Install the rubber seal #4.2 around the lip of the lid and #4.3 around rim of box as illustrated. (See Figure 1)
4. Check lock operation it may be tight at first until the seal gets compacted. Lock it Up!

FIGURE 1



ATTENTION:

FREQUENT LUBRICATION IS NECESSARY ON THE LOCKING SYSTEM

The lock contains a seal to protect the interior from dust and water. If this mechanism is not lubricated regularly it will become difficult to operate. If this happens lubricate the lock with a light lubricant such as silicone spray. The lock will need to be periodically disassembled and cleaned.

Call (970) 564-1762 for Technical Support