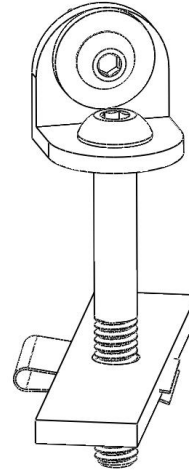




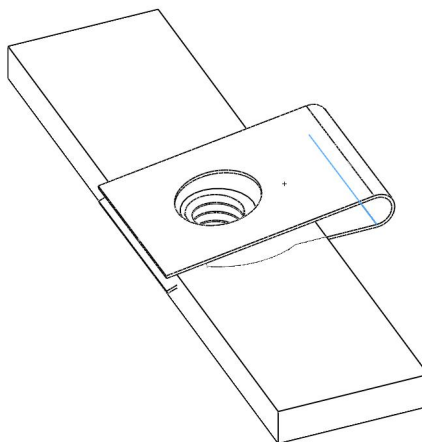
# FOLDING TONNEAU RACK STABILIZER KIT

## Package Contents

- (4) Stabilizer Brackets
- (4) Stake Pocket Plates
- (4) Threaded Clips
- (4) 5/16-18 X 2 1/4 Button Head Screws
- (4) 1/4 Split Lock Washers
- (4) 1/4-20 x 3/4" long Button Head Screws
- (4) 1/4-20 X 1" long Button Head Screws
- (4) 1/4 Nylon Insert Lock Nuts
- (4) 1/4 Flat Washer

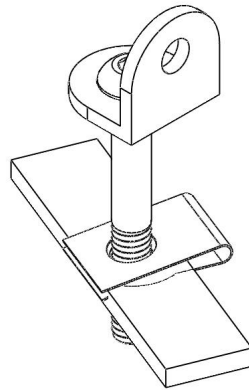


## 1. Threaded Clip Assembly



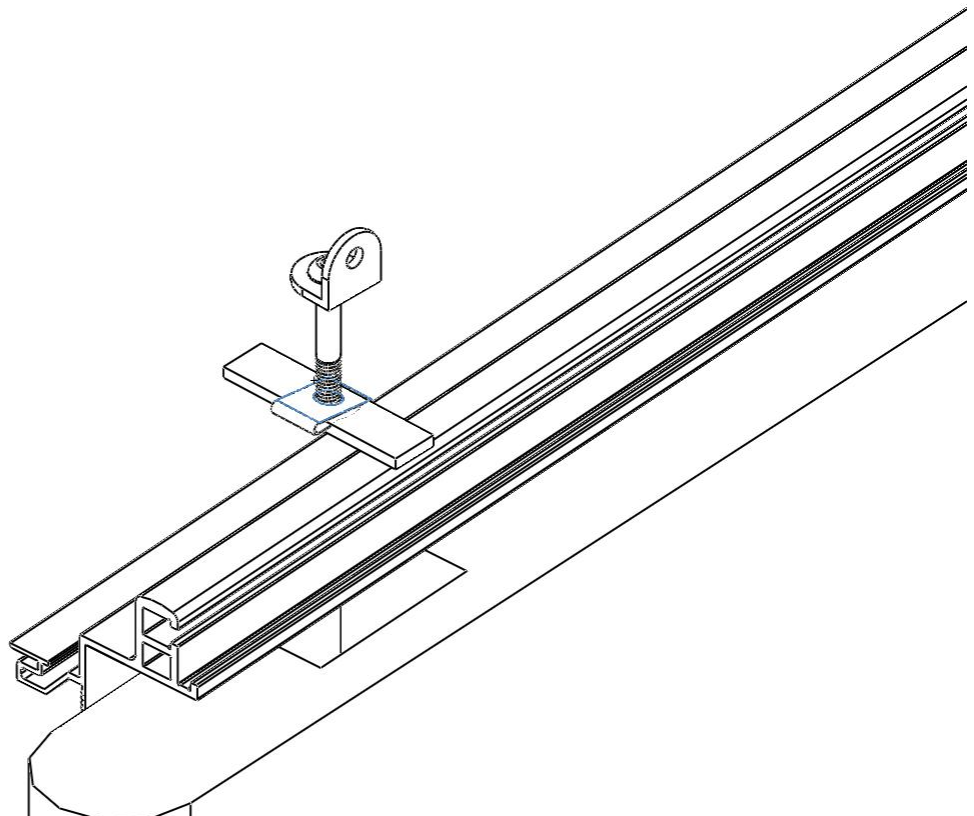
## 2. Bracket, Bolt, and Plate Assembly

Assemble as shown below using the 5/16 Button Head Screw. Make certain the threaded barrel on clip is facing downward.



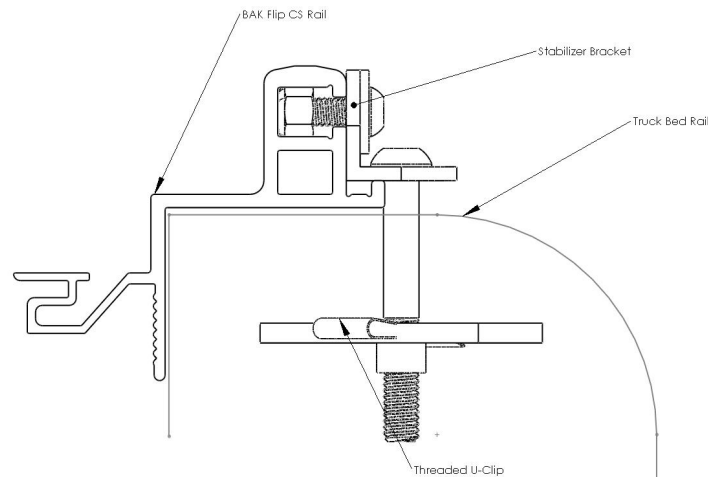
## 3. Insert Assembly into Stake Pocket Hole

Insert the assembly in to the stake pocket hole by positioning the plate with threaded clip into the stake pocket hole.



#### 4. Bracket Positioning

Position the Stabilizer Bracket as shown below. Utilizing the 1/4-20 X3/4" button head screw as the horizontal fastener. 1/4-20 X 1" button head screws are supplied as well if you choose to mount on the upright itself.



#### 5. Tighten all Hardware

Tighten all hardware.

#### PRO RAC GUIDELINES

Please review the instructions and warranty carefully. Assembly and installation are the purchaser's responsibility and beyond ProRac's control. Therefore, ProRac exclusively limits its warranty to the repair or replacement of a defective ProRac product for up to three years from retail purchase. Warranty excludes damage to your vehicle, cargo, or any person or property during assembly, installation, and use.

- ◆ Do not carry more than **500 pounds of combined cargo and accessories** on ProRac load bars. ProRac load bars and rails do not increase the bed rail strength. ProRac cannot warranty loads that exceed this limit.
- ◆ Do not use ProRac load bars and accessories for purposes other than those for which they were designed. Do not exceed their carrying capacity. Failure to follow these guidelines or the product instructions will void the warranty.
- ◆ Make sure all knobs, bolts, screws, straps, and locks are firmly attached, tightened, and locked before every trip. All fasteners must be periodically inspected for signs of wear, corrosion, and fatigue. Check your load at stops during long trips to ensure continued fastening security.
- ◆ Check all local and state laws governing projection of objects beyond the width and length of vehicle. Be aware of the width and height of your cargo since low-clearance branches, bridges, and parking garages can affect the load. Never drive with any lock, knob, or rack in an open or unlocked position. All long loads such as, but not limited to, sailboards, surfboards, kayaks, canoes, and lumber must be tied down front and rear to the bumpers or tow hooks of the vehicle.
- ◆ Remove your rack and accessories when they are not in use and before entering automatic car washes.
- ◆ All locks must be turned and moved periodically to ensure smooth operation. Use graphite or similar dry lubricant. Locks are designed to deter vandalism and theft. Remove valuable gear if your vehicle is unattended. Replacement keys are available only through your ProRac dealer.
- ◆ All cargo will affect the vehicle's driving behavior. For your safety, adapt your speed to the conditions of the road and load being carried. Obey all posted speed limits and traffic cautions.
- ◆ Due to their wind resistance, do not carry disks or wheels with covers on the ProRac bike carrier.
- ◆ Consult your ProRac dealer if you have questions regarding the operation and limits of ProRac products. Review all instructions and warranty information carefully.

© 2015 ProRac Systems, Inc.

FTR040- IS  
Revised 7-1-15