

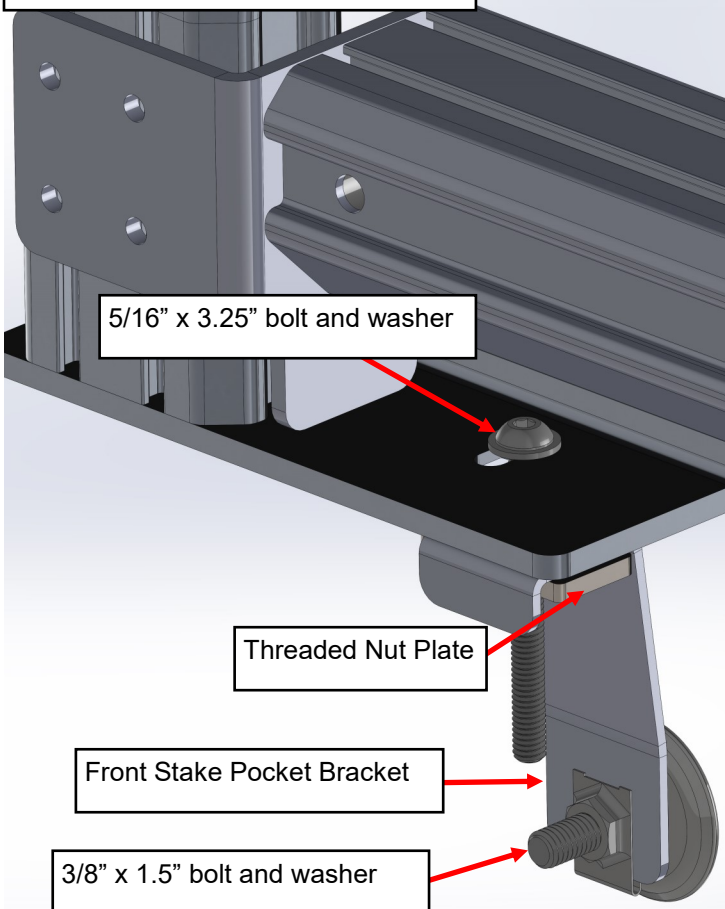
## Chevrolet Silverado

### Vehicle Hardware Kit

VEHICLE HARDWARE KIT CONTENTS:	
Description	Qty.
Front Stake Pocket Mounting Bracket	2
Rear Stake Pocket Mounting Bracket	2
Threaded Nut Plate	4
5/16" x 3.25" button head cap screw	4
5/16" washer	4
3/8" x 1.5" hex head bolt	4
3/8" washer	4

These Chevy specific instructions are to be used in conjunction with the Venture Tec rack instructions. They are to help designate front and rear brackets, general assembly procedure, and to ensure all hardware was included.

**Figure 1.** Front Mounting Hardware



**Figure 2.** Rear Mounting Hardware

