



INSTALLATION INSTRUCTIONS

66-77 Early Ford Bronco

Conceal Carry Security Drawer #256

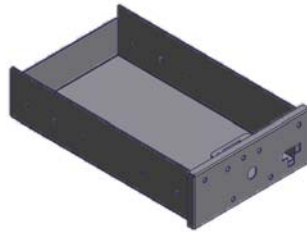
(Fits vehicles with original seat brackets/mounting)

Please read and fill out the enclosed warranty registration card to activate your warranty.

PARTS CHECKLIST



#1 Enclosure



#3 Drawer



#5 Storage Tray



#7 Bracket



#10.1 - (5) #10 x 1/2" Screw



#10.2 - (5) #10 washer



#10.3 - (5) #10 Nylock nut



#10.4 - (1) 5/16"x1" Torx Bolt



#10.5 - (2) 5/16" washer



#10.6 - (1) 5/16" Nylock nut

TOOLS NEEDED

- 3/8" and 1/2" Sockets and Ratchet
- #2 Philips head screwdriver
- Electric drill (Optional)
- T-40 Torx bit (Optional)
- Marker or pencil
- Knife

PLEASE READ ALL INSTRUCTIONS THOROUGHLY BEFORE STARTING INSTALLATION.

Warning! Do not operate the vehicle without the drawer locked shut. If left unlocked normal vehicle movements while driving could cause the drawer to open creating an unsafe situation.

Note: To remove the drawer from the enclosure, pull the drawer out as far as it can go then locate the small black plastic stops visible on the ball bearing drawer slides. One of the black stops will need to be deactivated by pressing down and the other one pulled up. Be careful not to break these plastic stops. While deactivating the stops push the center slide section back into the drawer enclosure off of the front slide section attached to the drawer until they are separated. To reinstall, line up the slide sections and push the drawer in gently, do not force it or it can be damaged.

1. Assemble the Storage Tray and Mounting Bracket to the Enclosure using the #10.1 screws, #10.2 washer, and #10.3 nuts. Install the washers on the exterior. (See Figure 1)
2. Remove the original seat mounting bolts #10.8.1 holding the front of the Passenger side seat to the body. (See Figure 2)
3. Insert the drawer in the mounted position. Make sure both the enclosure mounting flange and the #7 Bracket are under the original seat brackets #10.8 as illustrated. (See Figure 2)

OPTIONAL SECURITY STEP

WARNING! - Make sure that there is nothing under the vehicle that will be damaged by the drill bit when drilling.

For additional security, mark the spot in the vehicle floor #10.7 under the additional hole in the drawer enclosure mounting flange and drill a 3/8" hole. Fasten using the included bolt #10.4, washers #10.5 and nut #10.6. It is recommended to use silicone sealant on any drilled holes to prevent rusting. (See Figure 2)

4. Fasten the Tuffy drawer down using the original seat mounting bolts #10.8.1. (See Figure 2)

Figure 1

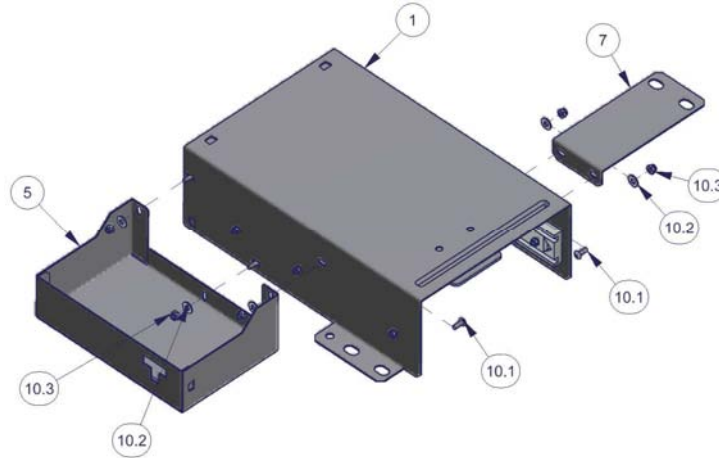
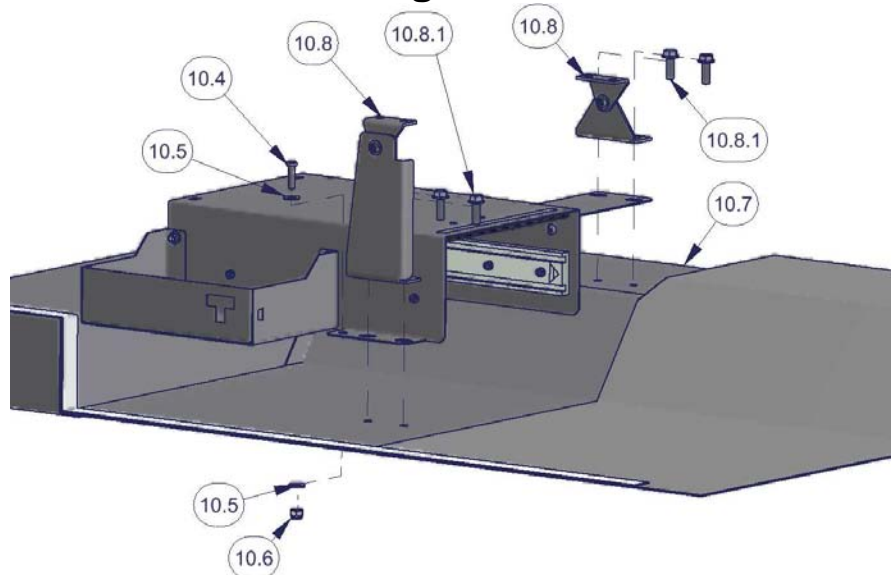


Figure 2



Call (970)564-1762 for Technical Support