



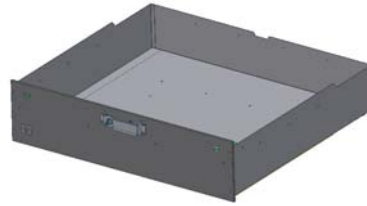
# INSTALLATION INSTRUCTIONS

#284 Jeep Grand Cherokee (2011-up) Tactical Security Drawer Mounting Kit  
(This kit is designed to mount on the rear cargo drawer sold separately)  
Please read and fill out the enclosed warranty registration card to activate your warranty.

## Parts used which are included with the drawer assembly



Enclosure

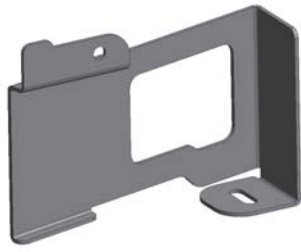


Drawer

## 284 Mounting Kit Parts



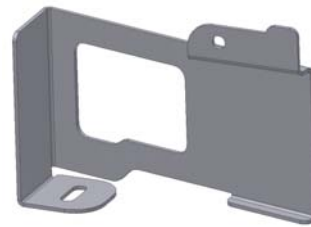
#1 (4) Gusseted tall riser



#2.1 (1) Lower Left Riser Bracket



#2.2 (1) Upper Left Riser Pivot Bracket



#3.1 (1) Lower Right Riser Bracket



#3.2 (1) Upper Right Pivot Bracket

## 284 Shipping Package



#4.1 (2) 5/16" x3/4" Carriage Bolts



#4.2 (2) 5/16"x1" Socket Button Head Bolts



#4.3 (14) 5/16"x1 1/4" Bolts



#4.4 (34) 5/16" Washers



#4.5 (16) 5/16 Nylock Nuts



#4.6 (2) 5/16" Wing Knob Nuts

## Tools required

- 18mm Socket with long extension and a ratchet
- 1/2" Shallow socket with a long extension and a ratchet (Universal joint also helps)
- 1/2" Wrench
- 3/16" Allen key or driver

**WARNING!** This drawer is rated to hold a maximum of 250# evenly distributed. The enclosure is rated to hold 250# on top evenly distributed. This would include any dividers mounted in the drawer. Never stand or sit on the Tuffy drawer or enclosure. The vehicle should not be operated with the drawer opened and not secured shut. The drawer should not be operated/opened when not level. Keep hands clear of moving parts and pinch points when maneuvering the drawer. Do not exceed the rated weight capacity for this product.

## Mounting Directions

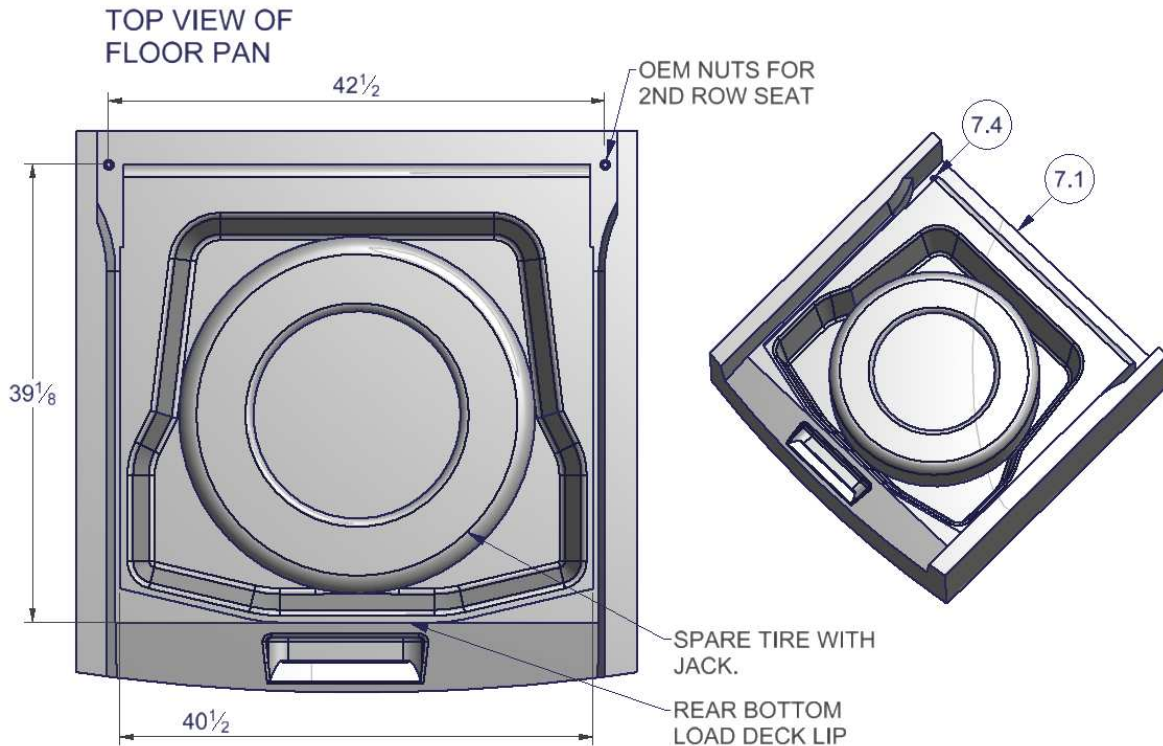
**FOR SAFETY THE DRAWER REMOVAL REQUIRES AT LEAST (2) PEOPLE. THE DRAWER SHOULD ALWAYS BE EMPTY BEFORE REMOVING IT. CONSTANT SUPPORT MUST BE APPLIED TO HOLD UP THE FRONT OF THE DRAWER THROUGHOUT THE ENTIRE REMOVAL PROCESS SO IT DOES NOT CAUSE INJURY AND/OR DAMAGE.**

1. Check the floor #7.1 and wheel well panels of the vehicle for cubby holes containing important gear or require access in an emergency (Jack, spare tire, spare tire access, fuses, etc.). If floor access is required make sure that it is

exposed and accessible through the opening in the bottom of the drawer enclosure when the drawer is removed and tilted upwards on the #284 pivot. Remove and relocate any inaccessible items as required.

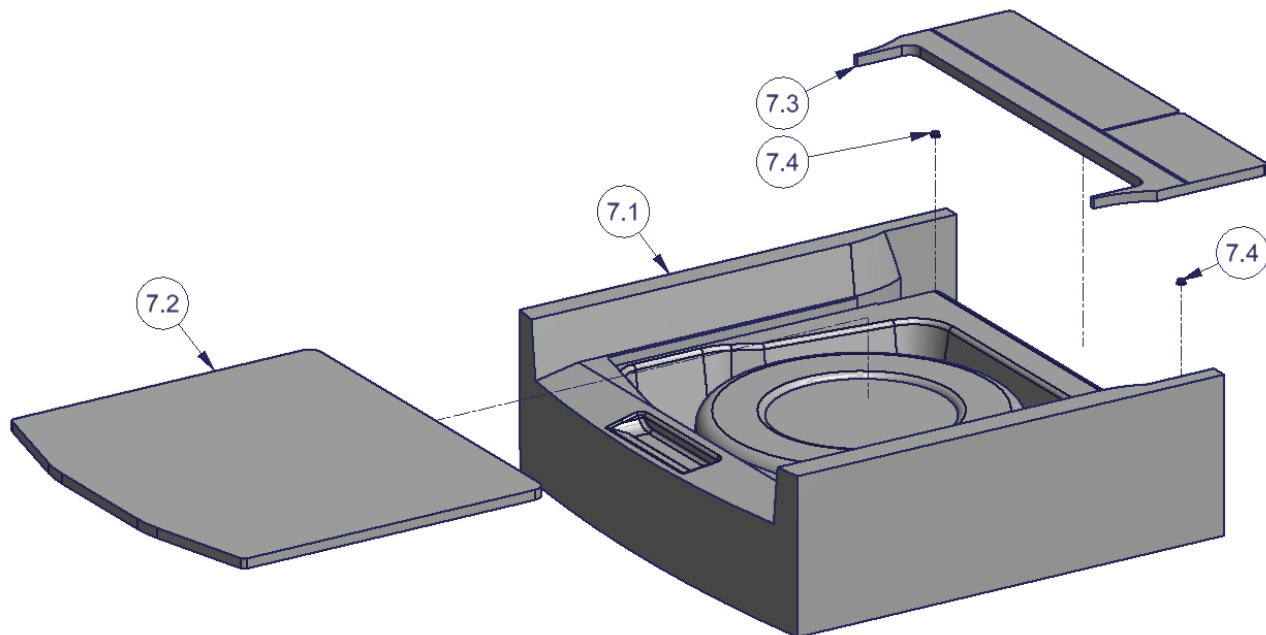
2. The mounting bracket location measurements in these instructions are for a standard 2011-up Jeep Grand Cherokee rear tub configuration #7.1. Due to the wide variety of options, models, and other variables your vehicle may be different. If the dimensions in the vehicle where the drawer will be installed vary from the illustration shown in Figure 1, the dimensions for the mounting locations will need to be adjusted. The mounting system was designed to be flexible to accommodate a variety of mounting applications. (See Figure 1)

**FIGURE 1**



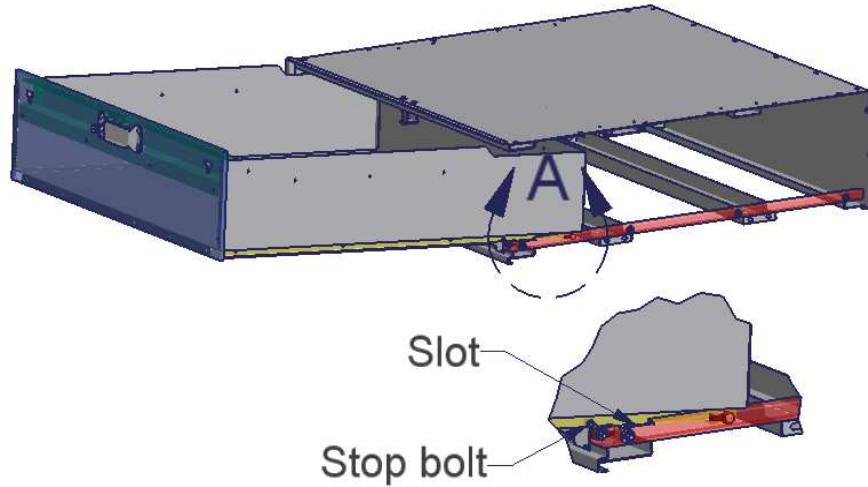
3. Remove the OEM load floor deck (#7.2) and OEM floor/seat back carpet trim piece (#7.3). The #7.3 trim piece is held in place with spring clips and can be removed by gripping a corner and pulling firmly up. Save trim piece for re-use. Remove the (2) #7.4 2<sup>nd</sup> Row seat mounting nuts using an 18mm socket and ratchet and save these flange nuts for re-use. (Figure 2)

**FIGURE 2**



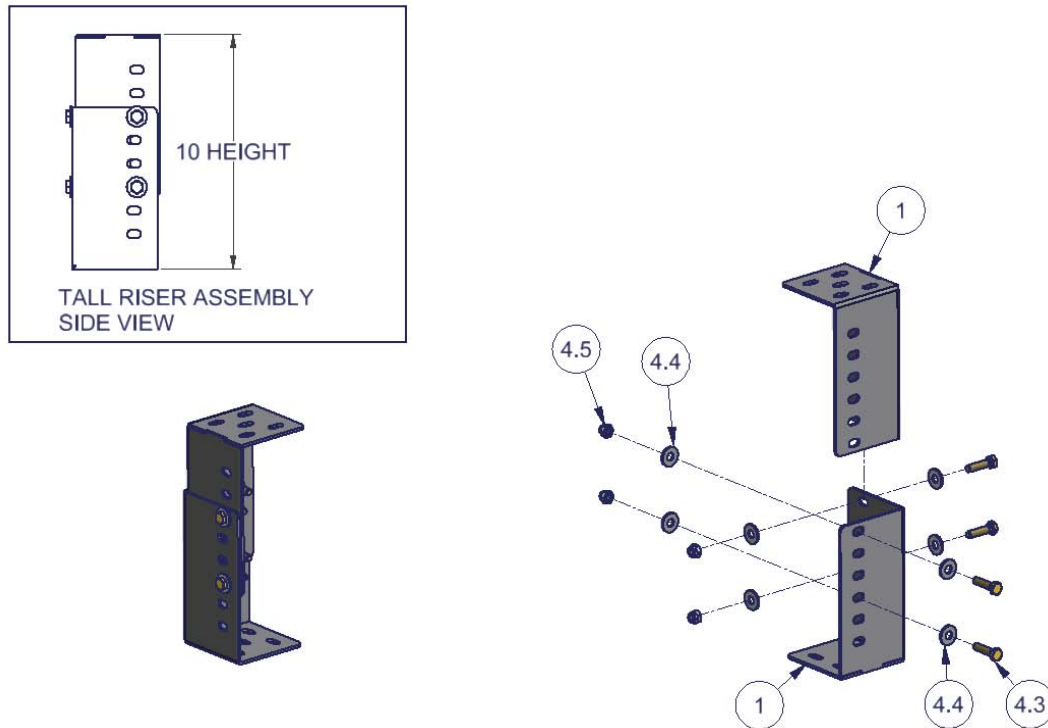
- Remove the drawer from the enclosure. Pull the drawer out until it stops. Lift up the front of the drawer and pull it out a few inches further until the stop bolts on the drawer slides clear the rollers on the enclosure slide. Pull the drawer again until it stops being sure to support the front of the drawer. Pivot the front of the drawer down and lift the rear end of the drawer out so the rollers on the drawer slides pull free through the slots in the enclosure slides. Reverse steps to install. (See Figure 3)

**FIGURE 3**



- Assemble the #1 Tall Riser mounting brackets using the hardware illustrated. Left and right sides are assembled identical. (See Figure 4)

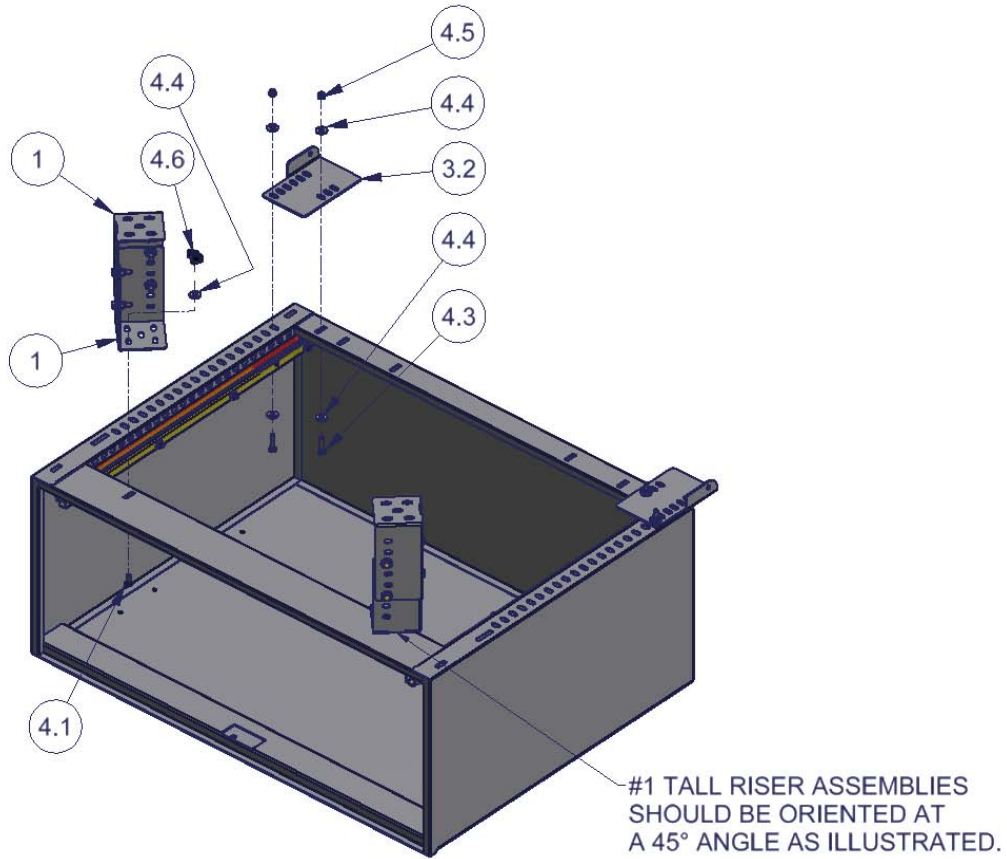
**FIGURE 4**



- Fasten the #1 Tall Riser assemblies to the enclosure as illustrated using (1) #4.1 bolt, (1) #4.4 washer, and (1) #4.6 wing knob nut for each side. Fasten the #2.2 and #3.2 Upper Riser Pivot Brackets to the enclosure as illustrated using (2) #4.3 bolts, (4) #4.4 washers, and (2) #4.5 nuts for each side. These bolts may be difficult to reach; Use a 1/2" shallow socket with a long extension and a ratchet (Universal joint also helps) and a 1/2" wrench on the other end. Unbolting the slide using a 7/16" wrench may make things easier as well. (See Figure 5)

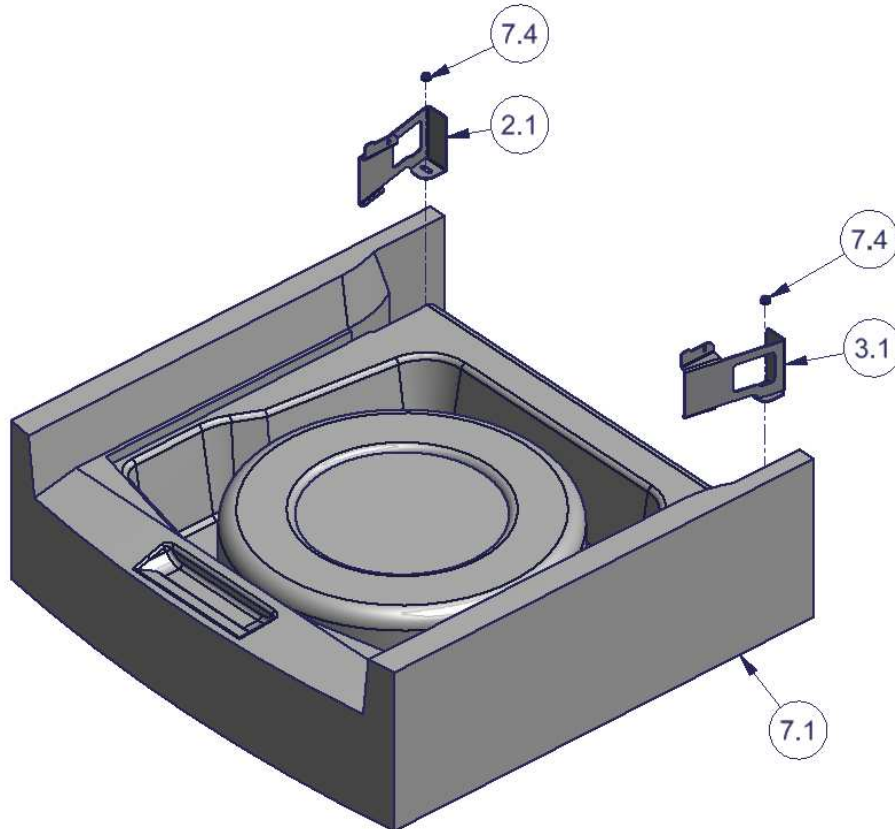
Note: \*\*\*Depending on available clearance, the #1 Tall Riser assemblies may have to be placed in the vehicle separate from the drawer and then assembled to the drawer enclosure in the vehicle.

**FIGURE 5**



7. Fasten the #2.1 and #3.1 Lower Riser Brackets into the vehicle using the #7.4 OEM flange nuts removed in Step #3. (See Figure 6)

**FIGURE 6**

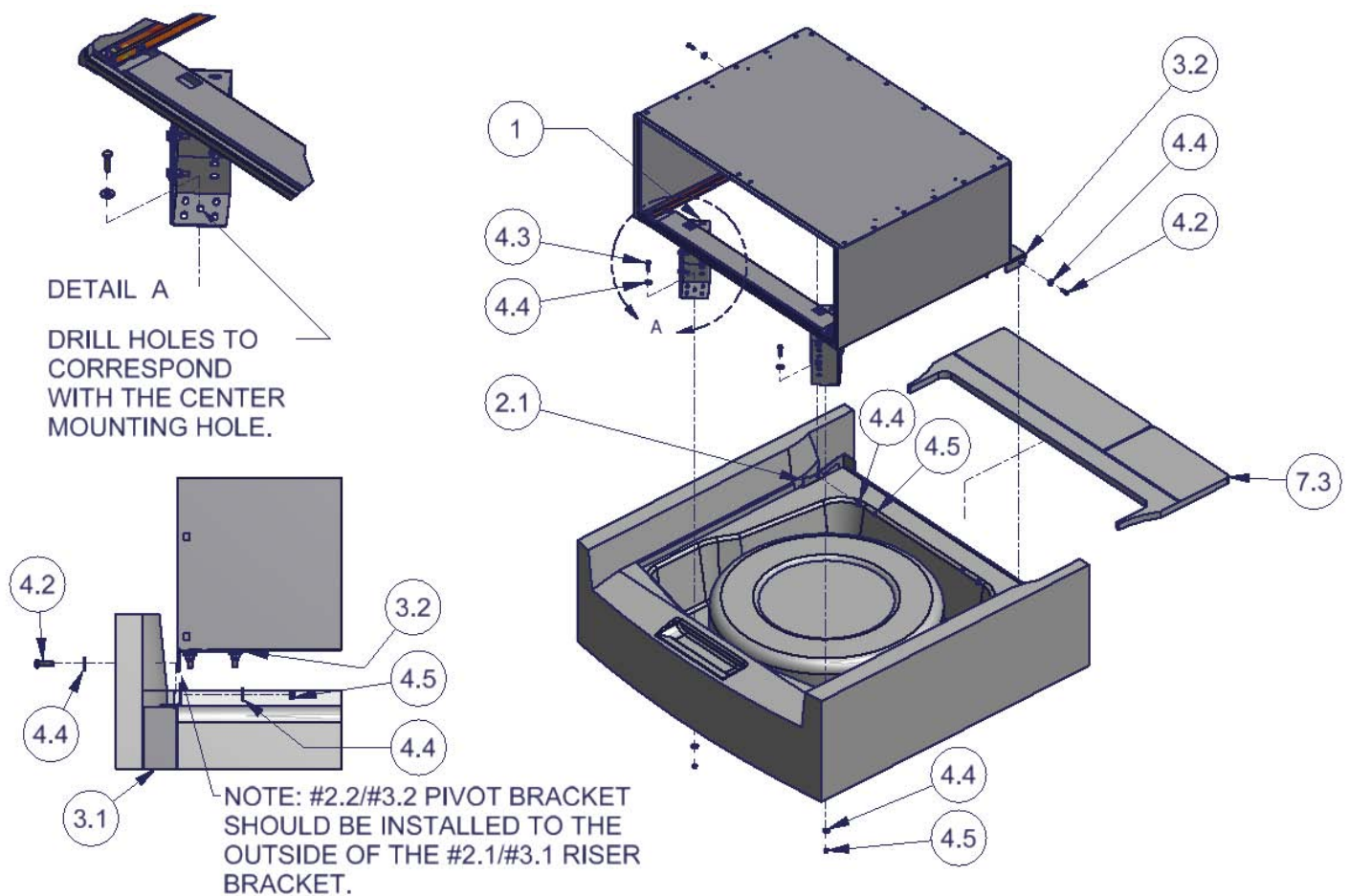


8. Place the enclosure with the mounting brackets in the rear of the vehicle. There must be a 2" gap front-to-back between the drawer front and the rear sill. Check that the tailgate shuts with enough clearance for the drawer handle. (See Figure 7)
9. Mark the spots under the illustrated holes in the #1 Tall Riser assemblies for drilling. (See Figure 7)

**Warning! Be sure there is nothing on the underside of the vehicle floor which will be damaged when drilling. Most vehicles have a gas tank, gas lines, and/or exhaust mufflers in that area.**

10. Remove the drawer enclosure and drill out the marked spots to 3/8". (See Figure 7)
11. Fasten the enclosure with the #1 Tall Riser assembly brackets mounted to the floor of the vehicle as illustrated using the (1) #4.3 bolt, (2) #4.4 washers, and (1) #4.5 nut for each side, through the holes drilled in Step #10. Fasten the #2 and #3 Pivot assembly mounting brackets together using (1) #4.2 bolt, (2) #4.4 washers, and (1) #4.5 nut for each side. Take note that the #2.2 and #3.2 Pivot brackets should be installed to the outboard side of the #2.1 and #3.1 Riser brackets. Snug but do not overtighten the #4.2 bolts so as to allow the bracket to pivot freely when spare tire access is required. (See Figure 7)

**FIGURE 7**



12. Remove the #4.6 wing knob nuts. Check to make sure that the spare tire and jack can be removed from under the enclosure by tilting the enclosure upward on the #2/#3 Pivot assemblies. Return the enclosure to the mounted position and re-fasten with the #4.6 wing knob nuts.
13. Insert the drawer and test the operation. Make sure there is clearance between the drawer handle and the rear tailgate. Test to make sure that access to any important compartments in the floor or side panels are maintained.
14. If desired, the #7.3 OEM trim panel may be reinstalled to the original position.

# ATTENTION:

## ***FREQUENT LUBRICATION IS NECESSARY ON THE LOCKING SYSTEM***

The pushbutton lock contains an “O” ring seal to protect the interior from dust and water. If this mechanism is not lubricated regularly it will become difficult to operate and it may not return to its home position preventing the key from operating the lock. If this happens simply pull up on the pushbutton to manually bring it back to its home position. Lubricate the pushbutton with a light lubricant such as silicone spray. The pushbutton may have to be periodically disassembled and cleaned.

Call (970) 564-1762 for Technical Support