



INSTALLATION INSTRUCTIONS

JEEP TJ TAILGATE SECURITY ENCLOSURE #296

Call (800)348-8339 for Technical Support

Please read and fill out the enclosed warranty registration card to activate your warranty.

PARTS CHECKLIST



#1 Hinged Panel Assembly



#4.1 - (2) 5/16x3/4" Bolts



#4.2 - (2) 5/16" Washers



#4.3 - (2) 5/16 Wing Knob Nuts

TOOLS NEEDED

- T-50 Torx bit with socket wrench (or driver)

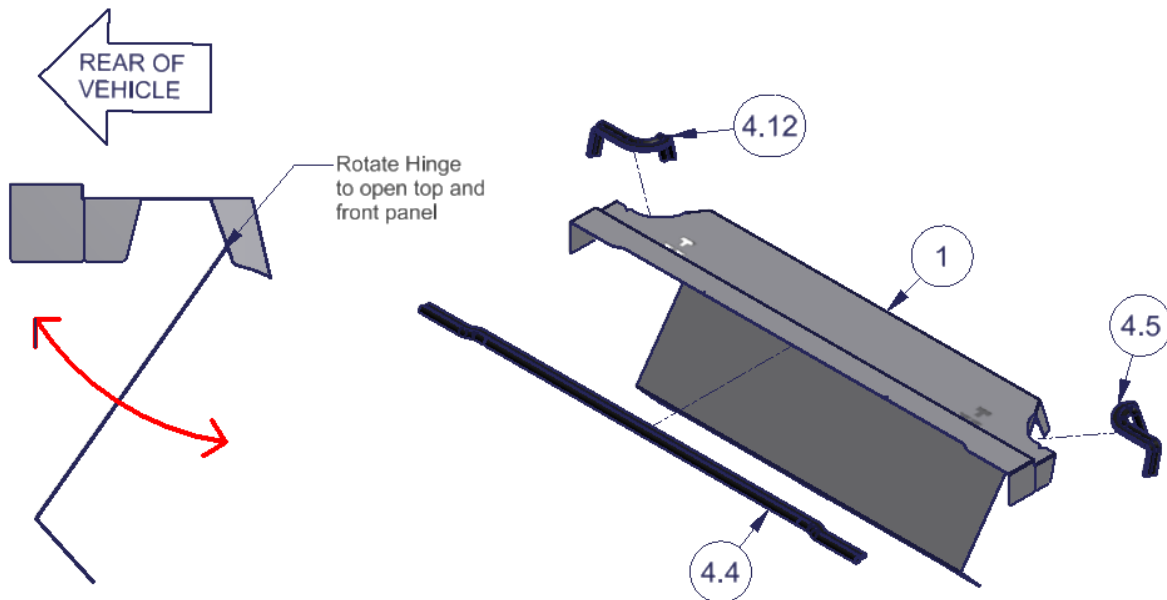
ATTENTION:

- THIS ENCLOSURE WAS DESIGNED FOR A STOCK OEM VEHICLE, ANY MODIFICATIONS MADE MAY AFFECT THE FIT INCLUDING: CARPET REMOVAL/CHANGES, SEATS, ETC.**
- Jeep Wrangler TJ vehicles have Manual Door Locks only! The rear tailgate lock must be locked manually with key in order for the Tuffy enclosure to function as a secure storage device.**
- For safety do not place any items on top of the enclosure that are not adequately secured to the vehicle to prevent movement in the event of an accident or abrupt speed changes.**

PLEASE READ ALL INSTRUCTIONS THOROUGHLY BEFORE STARTING INSTALLATION.

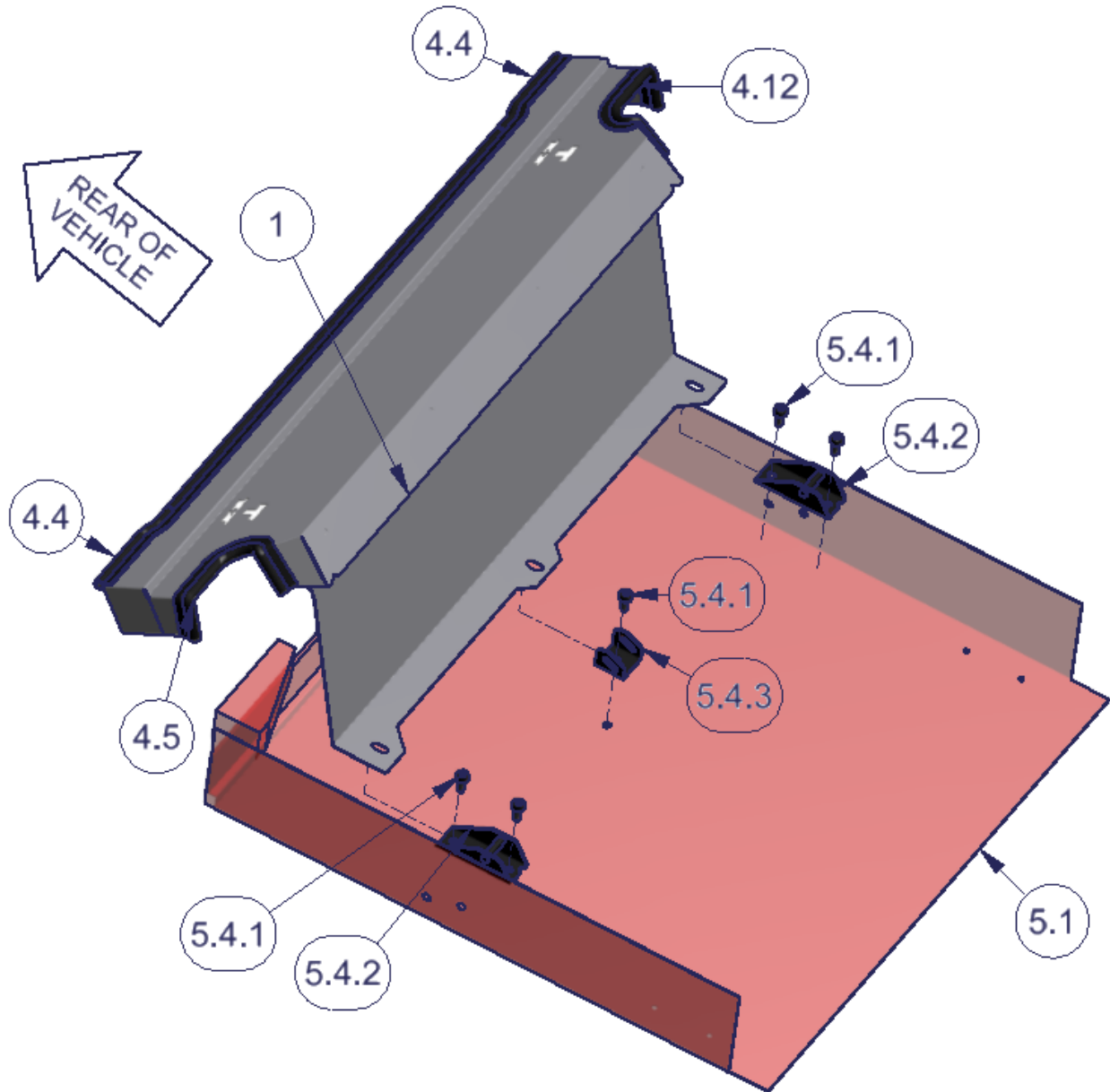
- IMPORTANT! Make sure the vehicle is parked on a flat surface, placed in park, and the emergency brake is activated.
- Fold and tumble the rear seat forward temporarily to allow plenty of access for installation.
- Rotate the hinged panel assembly #1 to the open position as illustrated. If any of the #4.4, #4.5 & #4.12 Rubber Edge Trim pieces have become dislodged during shipping, re-install these at this time.(See Figure 1)

FIGURE 1



4. Remove the (2) #5.4.1 OEM seat bracket bolts for each the left and right #5.4.2 OEM rear seat brackets, as illustrated. Remove the (1) #5.4.1 OEM center seat belt bracket bolt and #5.4.3 seat belt bracket, as illustrated. ***Note: Some TJ vehicles may not feature the #5.4.2 floor mounted seat brackets, but should feature the center seat belt bracket and bolt. If desired, the two outer mounting holes may be drilled and bolted down with hardware not included. (See Figure 2)
5. Install the hinged panel assembly #1 by tipping up the front (by the hinge) and fully inserting the rear edge side tabs #4.4 under the hardtop mounting lip at the rear of the vehicle body. Then rotate the hinged panel assembly downwards so the trim pieces #4.5 & #4.12 tightly meet up with the roll bar. Be sure to keep the rubber edge trim in position when installing. (See Figure 2)
6. Align the holes in the #1 hinged panel assembly bottom flange with the OEM rear two seat bracket holes and the OEM seat belt bracket hole in the vehicle, as illustrated. Re-Install the OEM #5.4.1 bolts, #5.4.2 brackets, and #5.4.3 seat belt bracket in their original locations. Tighten all to factory torque specifications. (See Figure 2)

FIGURE 2



Call (800)348-8339 for Technical Support