



**Installation Manual v1.2:
301-900-2116:
Dodge 47/48 Deep Transmission Pan**

Please read all instructions before installation.

If transmission temperatures run too high, consider ATS Transmission Coolers, Thermostats and Transmission Temperature Gauges for transmission temperature control and monitoring.



Figure 1: ATS Deep Transmission Pan Kit Contents

Please make sure there are no parts missing out of the ATS Deep Transmission Pan kit. A bill of materials can be found on page 4.

1. Hoist and support vehicle on safety stands. Disconnect negative (-) battery cables and secure away from negative terminals.
2. Position a large diameter shallow drain pan beneath factory transmission to catch the old automatic transmission fluid.

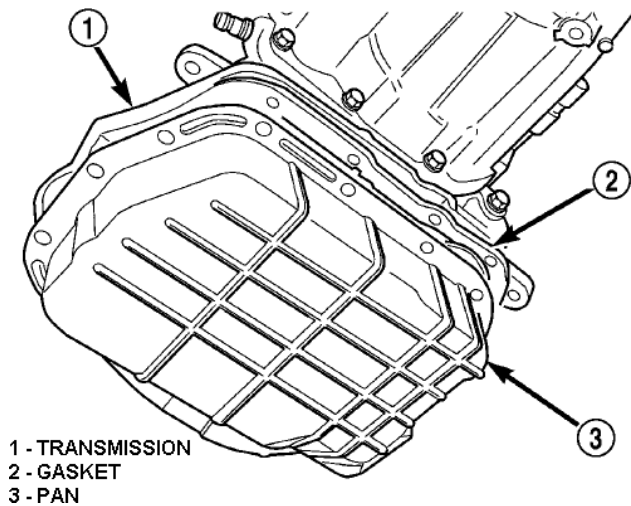


Figure 2: Gasket and Transmission Pan Assembly

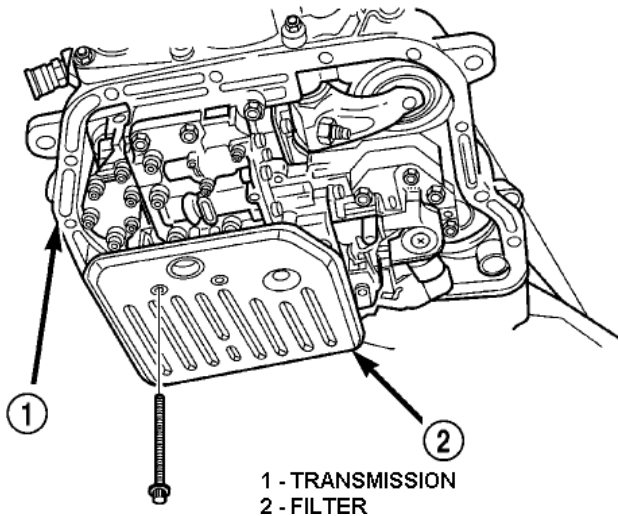


Figure 3: Screw and Filter Removal



Figure 4: Temperature Probe Port

3. Remove bolts holding front and sides of factory pan to transmission.
4. Loosen bolts holding rear of factory pan to transmission.
5. Slowly separate front of factory pan and gasket away from transmission allowing fluid to pour into drain pan.
6. Hold up factory pan and remove remaining bolt holding pan into transmission.

7. Pour remaining fluid in factory pan into drain pan.
8. Remove screws holding filter to valve body.
9. Separate filter from valve body and pour fluid in filter into drain pan.
10. Inspect bottom of pan and magnet for excessive amounts of metal or fiber contamination. A light coating of clutch or band material on bottom of pan does not indicate a problem unless accompanied by slipping condition or shift lag. If fluid and pan are contaminated with excessive amounts of debris, contact a professional for advice and/or assistance.

11. If not already installed, install drain plug and torque plug to **15 ft-lbs**.
12. If you plan to install a thermostat in temperature probe port located at front of ATS Deep Transmission Pan, apply anti-seize compound to threads of thermostat probe, apply anti-seize compound to threads of 1/8 pipe plug and install in temperature probe port and torque to **10 ft-lbs**.

13. Feed two bolts through filter and spacer. Install filter and spacer with o-ring towards valve body making sure big hole is aligned with corresponding holes on both filter and valve body. Torque bolts to **3 ft-lbs.**

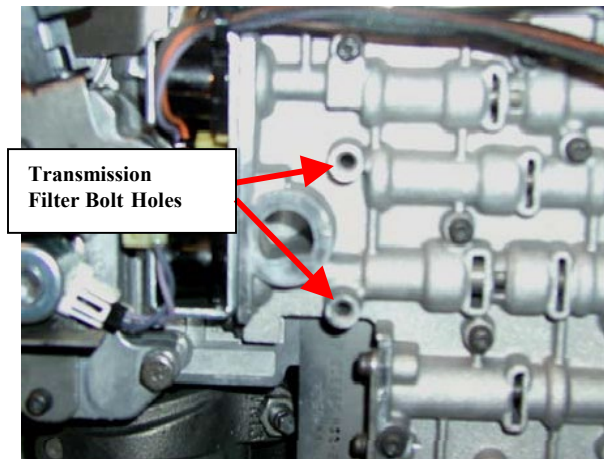


Figure 5: Filter Mount Holes

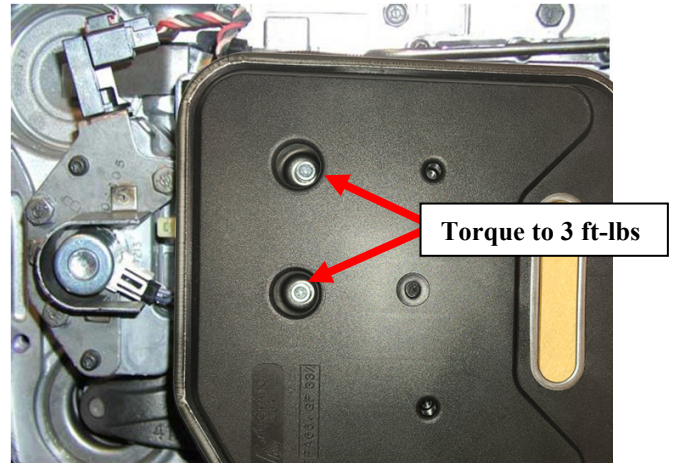


Figure 6: Transmission Filter Installed

14. Clean gasket surfaces of new transmission oil pan and transmission pan rail.
15. Align gasket holes with holes in the ATS Deep Transmission Pan.
16. Position ATS Deep Transmission Pan and gasket onto transmission and install several stainless steel cap screws to hold pan and gasket to the transmission.
17. Install remaining stainless steel cap screws and torque each cap screw to **13 ft-lbs** in a crisscross pattern.
18. Lower vehicle back to ground level and apply parking brake.
19. Reconnect battery cables.
20. To fill transmission, remove dipstick and insert clean funnel in transmission fill tube.
21. Add following initial quantity of Mopar ATF +4, automatic transmission fluid, to transmission:
 - (a) If only fluid and filter were changed, add 5 quarts of ATF +4 to transmission.
 - (b) If transmission was completely overhauled, or torque converter was replaced or drained, add 9.5 quarts of ATF +4 to transmission.

NOTE: Due to some factory options, fluid amounts can vary. Consult owner's manual for reference.

22. Remove funnel and insert dipstick.
23. Start and run engine at normal idle
24. Apply brakes, release parking brake, shift transmission through all gear ranges checking for engagement, then back to **NEUTRAL** and set parking brake. Leave engine running at idle until transmission reaches normal operating temperature (**150-170°F.**)
25. Check fluid level. If level is low, add fluid in increments of $\frac{1}{4}$ quarts to bring level to **MIN** mark on dipstick. Check to see if oil level is equal on both sides of dipstick. If one side is noticeably higher than other, the dipstick has picked up some oil from the dipstick tube. Allow oil to drain down dipstick tube and re-check. Add fluid until the correct level is achieved (fluid should be up to **MAX** arrow mark on dipstick).
26. Do not overfill transmission; fluid foaming and shifting problems can result.
27. Pour used transmission fluid into approved container and dispose of fluid at appropriate recycling facility or participating local parts store.

A word of caution to the vehicle owner/installer:

In some applications, or because of the use of certain factory options and/or aftermarket equipment, clearance problems can occur between the ATS Deep Transmission Pan and other vehicle systems. It is the responsibility of the vehicle owner/ installer to ensure no other vehicle component comes in contact with the ATS Deep Transmission Pan. **Contact with any vehicle component, or the making of any modifications to the ATS Deep Transmission Pan, automatically voids the warranty. ATS Diesel Performance assumes no liability, expressed or implied, for damage or injury to persons or property.**

Have Any Questions?

Thank you for purchasing the ATS Deep Transmission Pan. Please check our website at <http://www.atsdiesel.com> for technical support and other performance products such as the 5-Star™ torque converter, ATS High Performance Valve Body and ATS High Performance Transmission along with our full line of power enhancers. Please call or e-mail our Technical Service Department, 8:00am to 5:30pm Mountain Standard Time, Monday through Friday.

Contact Information

Toll Free: 800-949-6002

Local: 303-431-7973

Fax: 303-431-0135

Website: www.ATSDiesel.com

Email: info@ATSDiesel.com

We strive to make our instructions as clear and complete as possible. To achieve this, our instructions are under constant construction. We encourage you to visit our Technical Support Website (<http://www.atsdiesel.com/ATSWebSite/Technical.asp>) to check for the most up-to-date manuals and diagrams as well as other information. If you have any suggestions as to how we can improve this installation manual, let us know at <mailto:Suggestions@ATSDiesel.com>.

Bill of Materials

1. ATS Deep Transmission Pan 301-100-2116
2. Gasket (Axiom p/n 22300F)
3. Transmission Filter Spacer
 - (1) Transmission Filter Spacer
 - (2) Mounting Screws
 - (3) O-Ring
4. Hardware Bag
 - (14) Stainless Steel Cap Screws (5/16-18 x 7/8)
 - (14) 5/16 Washers
 - (1) 1/8 Pipe Plug
5. Magnetic Drain Plug
 - (1) Drain Plug
 - (1) O-Ring Not Pictured