

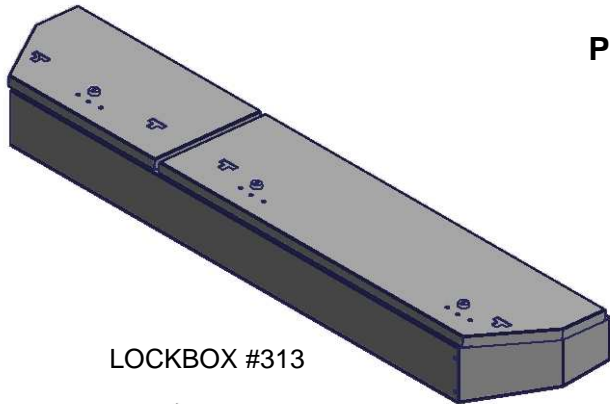


# INSTALLATION INSTRUCTIONS

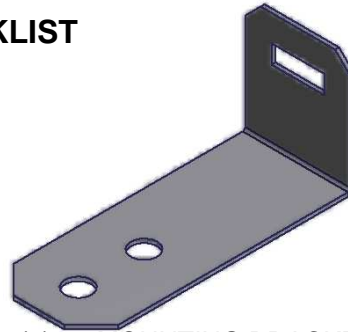
07-14 Toyota Tundra CrewMax/Double Cab Under Rear-Seat Lockbox #313

Please read and fill out the enclosed warranty registration card or register online at [tuffyprompts.com/warrantyreg.aspx](http://tuffyprompts.com/warrantyreg.aspx) to activate your warranty.

## PARTS CHECKLIST



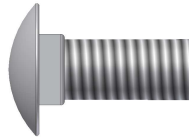
LOCKBOX #313



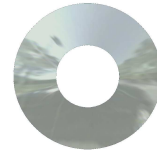
(2) #9 MOUNTING BRACKET



#14.1 (2) 5/16" WING KNOB NUTS



#14.2 (2) 5/16" x 3/4" CARRIAGE BOLTS



#14.3 (2) 3/8" WASHERS

### Tools needed for standard installation

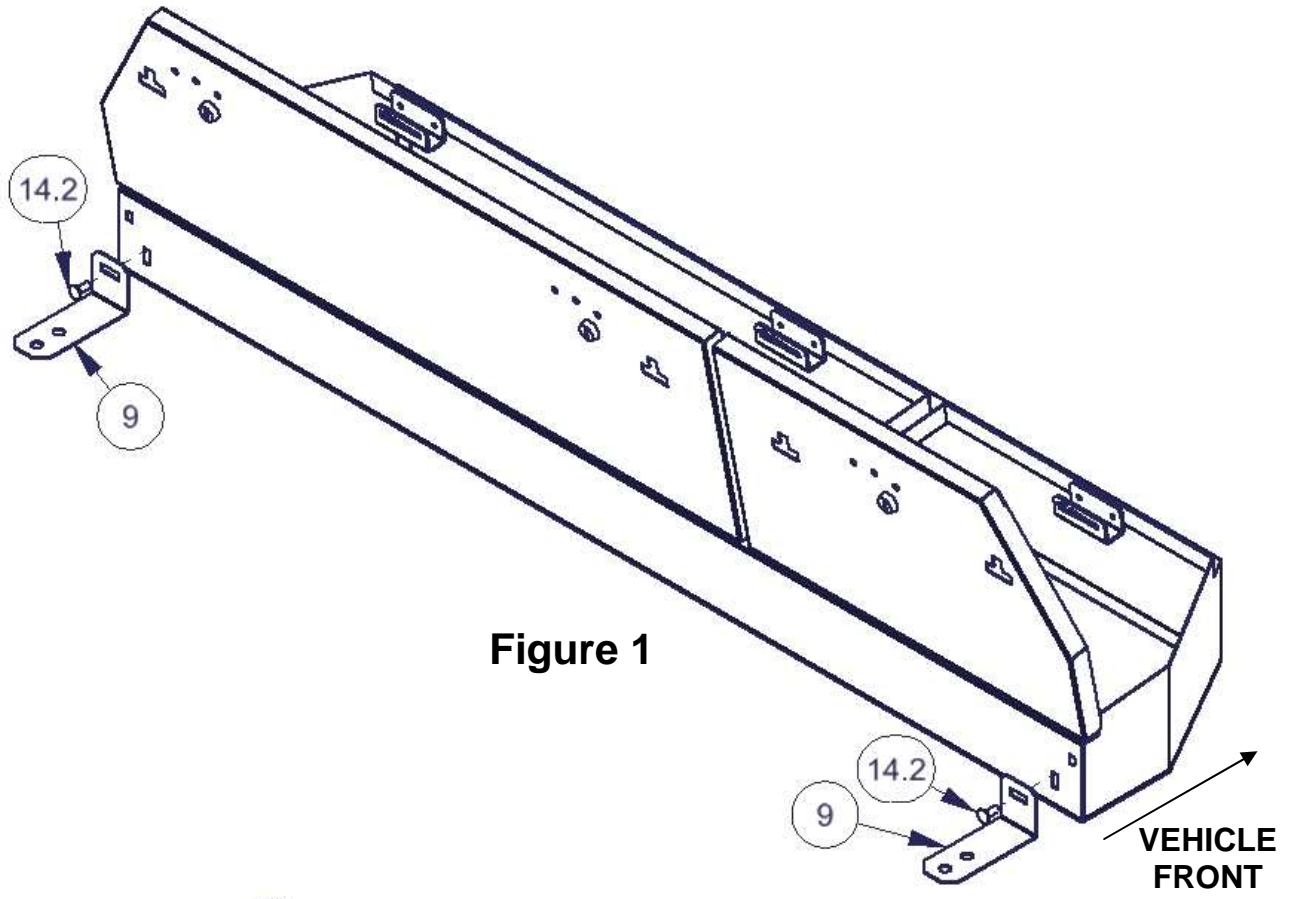
- 14mm Socket and Ratchet

### PLEASE READ ALL INSTRUCTIONS THOROUGHLY BEFORE STARTING INSTALLATION.

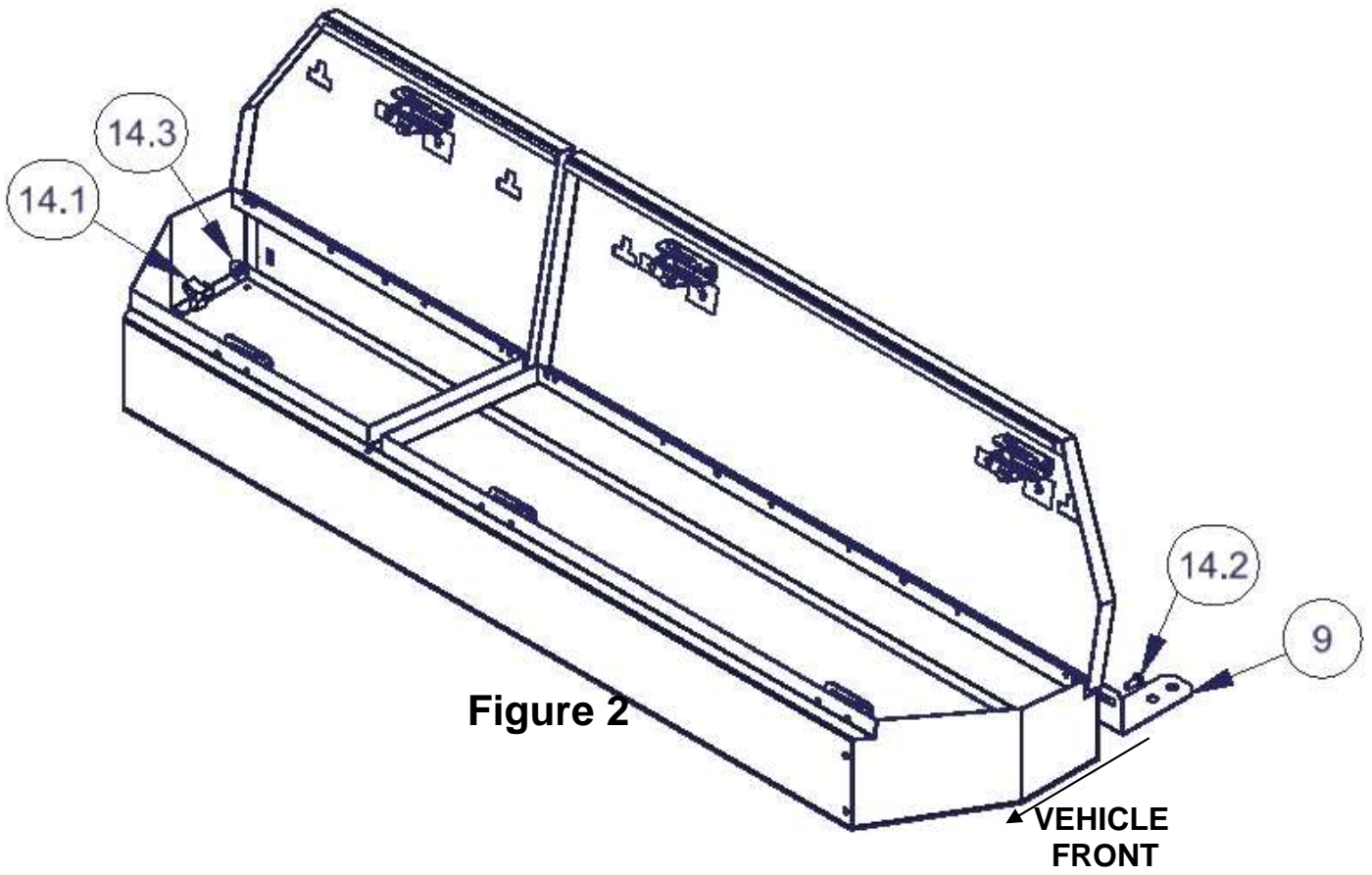
1. Flip both rear seat bottoms up so they are secured in the upright position.
2. Starting on one side, use the 14mm Socket to remove the OEM forward/outer seat mount bolt (secures the seat to the floor), and the upper/outer seat mount bolt (secures the seat to the rear of the cabin). This will loosen the seat enough to slip the #9 Bracket under the mount.
3. Place a #14.2 Carriage bolt through the #9 bracket as shown in **Figure 1**, and slip the bracket under the seat mount so that the forward hole is captured by the locating pin of the seat mount and the rear hole is centered over the open bolt hole.  
**NOTE: This will capture the head of the Carriage bolt between the seat mount and the #9 Bracket.**
4. Replace and tighten the OEM bolts removed in step #2.
5. Repeat steps #2 thru #4 on the other side of the vehicle.
6. Place the #313 Lockbox in the floorboard area of the vehicle, and slide it back into place, so that the #14.2 Carriage bolts protrude through to the inside of the box. The Carriage bolts may need to be moved in the horizontal slots of the #9 Brackets to line up properly with the vertical slots in the rear of the Lockbox.
7. Install the #14.3 Washers, and #14.1 Wing Knob Nuts. (See **Figure #2**) **NOTE: Do not tighten #14.1 Nuts as some adjustability is required in the next steps.**
8. Adjust the Lockbox's side to side position so that the gap in the lids aligns with the rear seat split. This may be done by alternately opening the Lockbox lids and raising and lowering the rear seats, and adjusting to minimize interference.
9. Once the Lockbox is in its final position, the (2) #14.1 Wing Knob Nuts may be tightened.

Call (970)564-1762 for Technical Support

Page 1 of 2 - 12/19/2014 - Rev051414



**Figure 1**



**Figure 2**