



Assembly, Installation, Operation and Maintenance Instructions

Kit, Base Rail Bracket

Part # 31412

Dealer / Installer:	Provide a copy of these Instructions to the end user of this product. These Instructions provide important operating and safety information for proper usage of this product. Demonstrate the proper use of the product with the end user. Have the end user demonstrate that they understand the proper use of the product.
End User:	Read and follow all instructions included in this manual. Ask your Dealer / Installer for assistance if you do not understand the proper use of the product. Never remove any decals from the product.

NOTE: This bracket kit is to be used with the 31323 4 Bolt Bed Rail Kit or 30686 10 Bolt Bed Rail Kit.

Complete Parts List		
Item No.	Description	Quantity
1	Left Rear Bracket	1
2	Angle Bracket	2
3	Right Front Bracket	1
4	Spacer Plate 1/4" Thick	4
5	1/2 -13 X 1-1/2" Wheel Bolt	8
6	Flange (Serrated) 1/2 -13 Lock Nut	8
7	5/8 -11 X 3" Carriage Bolt	2
8	5/8 -11 X 3-1/2" Carriage Bolt	2
9	Flat Washer (5/8")	4
10	Lock Washer (5/8")	4
11	Hex Nut (5/8")	4
12	Spacer Tube (1")	4
13	Pull Wire (1/2")	1
14	Spacer Plate 3/16" Thick	2

Tools Required
3/4" Socket & Wrench
5/16" Socket & Wrench
5/8" Drill Bit
17/32" Drill Bit
Drill
Ratchet
Torque Wrench
Safety Glasses
Base Rails Not Included

WARNING! Never exceed the towing capacity of the tow vehicle

Center Bolt Kit 32059 (sold separately) must be used when towing with a 26K hitch, Goose Neck, or Maneuvering System.

CAUTION: Do not install base rails over plastic bed liners. Plastic bed liners must be cut out of the way. Rails may be installed on spray in liners. Consult spray liner installer for recommended curing time.

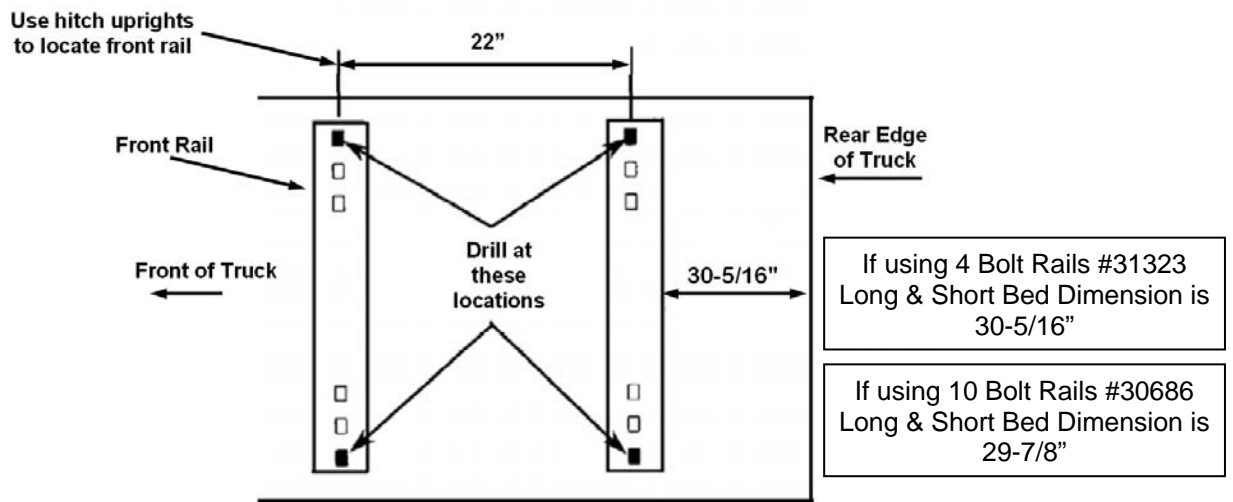
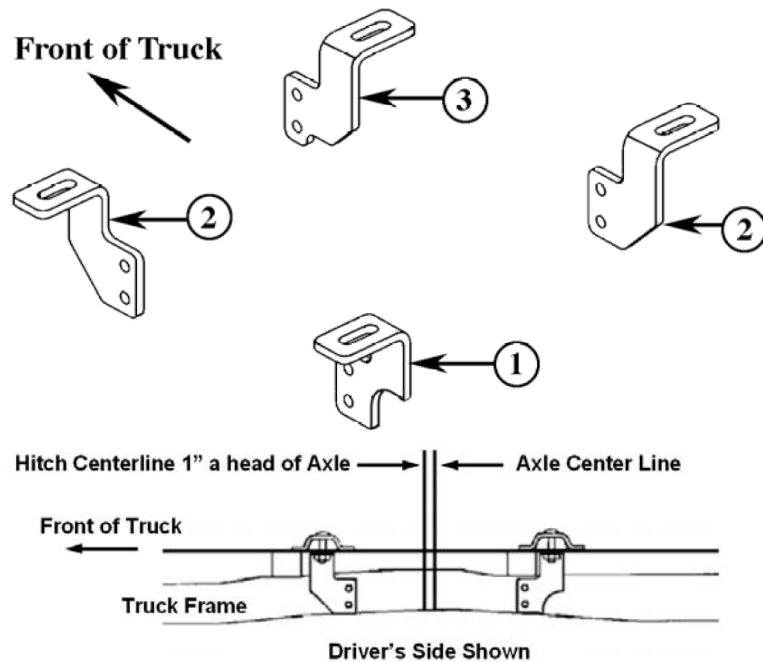
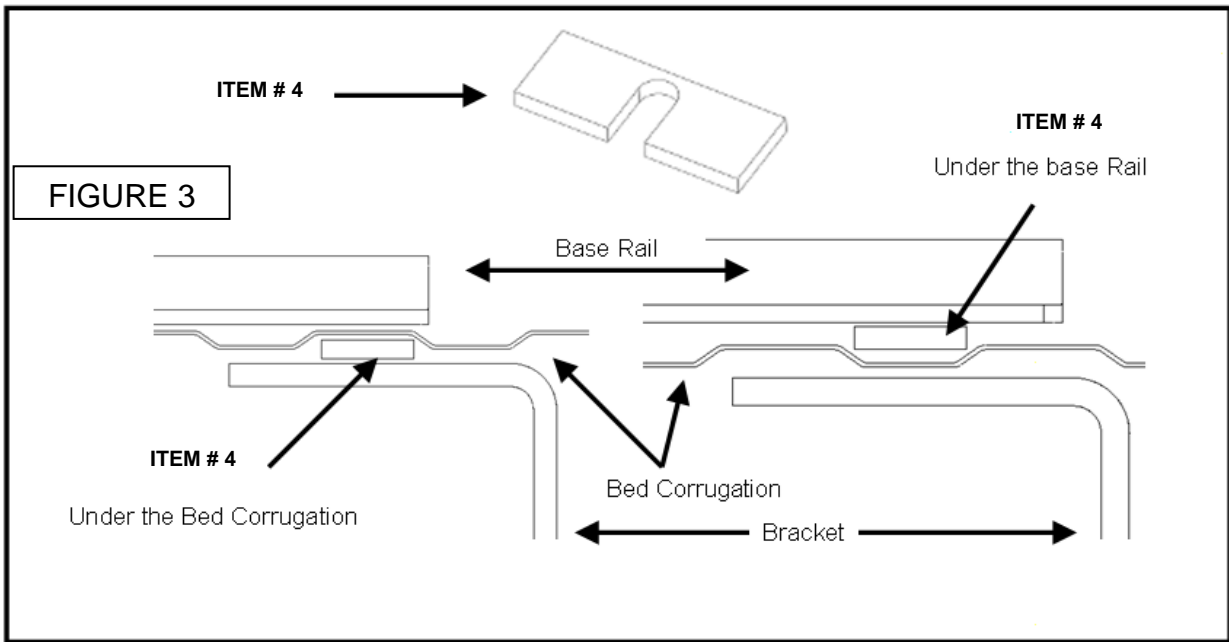
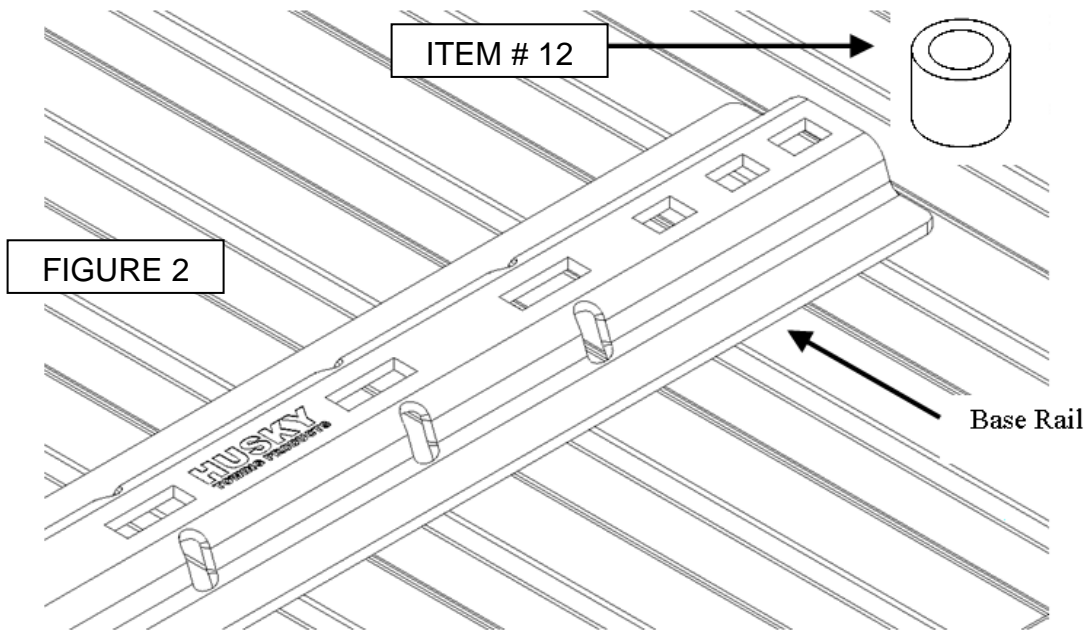


FIGURE 1

1. Place the two bed rails across the truck bed between the wheel wells. Position the 5th wheel uprights between the bed rails so that the tabs in the base of each upright will fit into the slots in the ends of the bed rails. Secure the uprights in place with the rail hitch pins and hair pins supplied with the 5th wheel installation kit. Securely attach 5th wheel cross member to uprights.
2. Position the bed rail assembly in tuck bed as shown on the illustration above. When hitch is correctly positioned in the bed and the bed rails are parallel, mark four attachment points on the truck bed using the 5/8" square holes indicated on the layout illustration. Check below the bed before drilling holes to see that all wiring, brake lines or other obstructions are moved out of the way and will not be contacted by the drill. Move the hitch assembly out of the way and drill four 5/8" diameter attachment holes down through the bed at the previously marked points.
3. Reposition the bed rails in the bed so that the correct square 5/8" hole in the end of each rail is lined up over the drilled holes. Place a 1" thick spacer tube (#12) under ends of each bed rail, in line with the drilled holes. See FIGURE 2 on page 3.
4. Position the angle brackets under the bed, at the four attachment locations and align with the 5/8" drilled holes in the bed. See Main Illustration for details on bracket location, FIGURE 1 on Page 2.

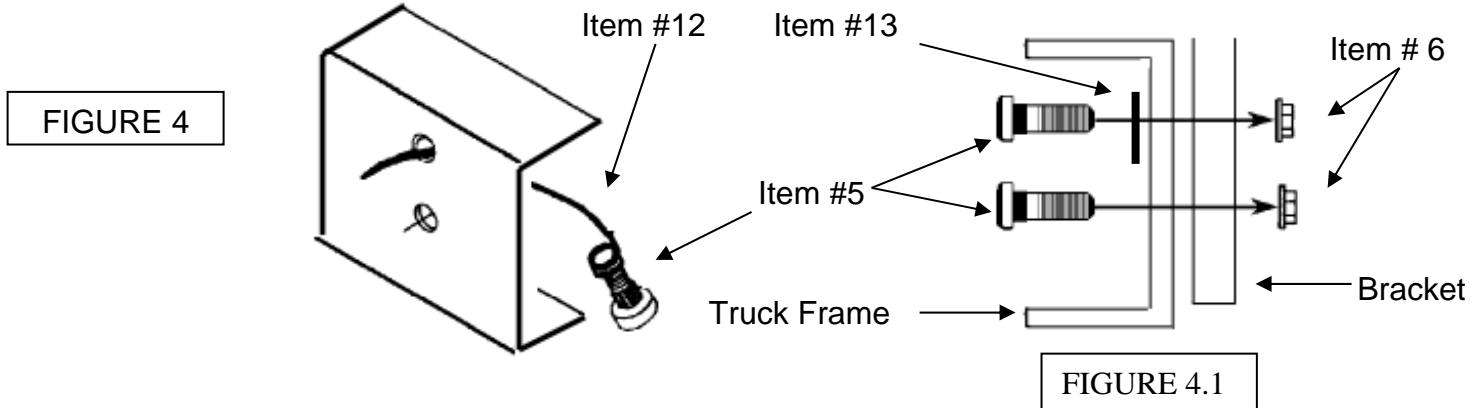
5. If the bed corrugation above the angle bracket is UP, leaving a space above the angle bracket, insert the short end of spacer plate (#4) in this location as shown on FIGURE 3.



6. Position the angle brackets so that they rest tightly against the flat side of the truck frame and underneath surface of truck bed. Drop the 5/8" carriage bolts down through the bed rails, spacers and angle brackets. Be sure the brackets are tight against the side of truck frame before tightening bolts. Hand Tighten the 5/8" bolts.

Note: There are 2 lengths of 5/8" carriage bolts included in the kit. Use the shorter on applications where vehicle clearance may be close to the attachment point. The bolts can be used in any attachment location.

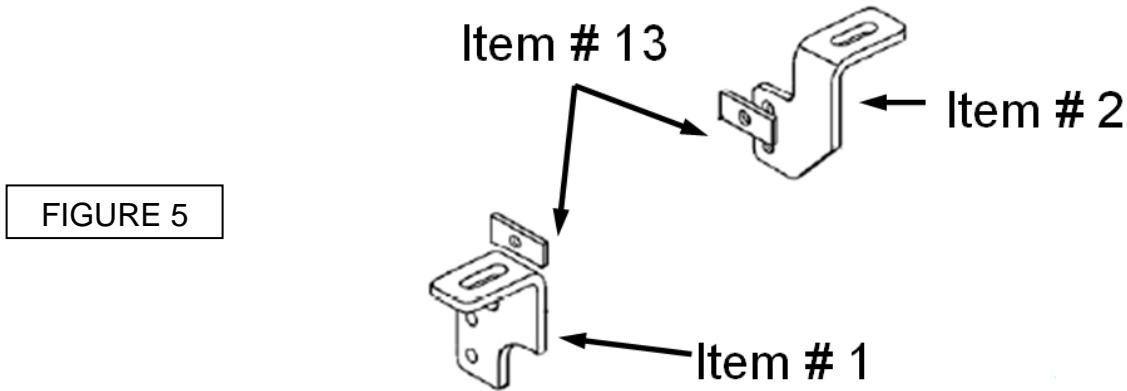
7. Before drilling any holes in truck frame, check inside the frame to be sure that there are no wires, brake lines or other obstructions in the frame which may be contacted by the drill. Each of the angle brackets must be attached to the side frame of the truck with two 1/2" wheel bolts. Drill two 17/32" holes through the side of the truck frame using the two holes in each angle bracket as guides. See Figure 4. **CAUTION:** Holes MUST be drilled 17/32" diameter, so that the special wheel bolts will seat properly. If holes are too small, the bolt may break. If holes are too large, the bolt will not grip properly.



8. Place the special bolts into the frame first and then out through the angle brackets. See Figure 4.1. Some applications will require the use of a pull wire to align the bolts in to the drilled holes in the frame. Thread the pull wire coil over the end of the wheel bolt and pull through frame and angle bracket. See Figure 4.

NOTE: On some applications, a spacer plate (#13) may be required on the inside of each truck frame at the upper hole in the left and right rear brackets (#1) and (#2) before inserting the wheel bolts. See Figure 5 for correct location. Secure each bracket to the truck frame. The knurled portion of the bolts will lock into the frame holes as the nuts are tightened. The use of air wrench will make installation easier.

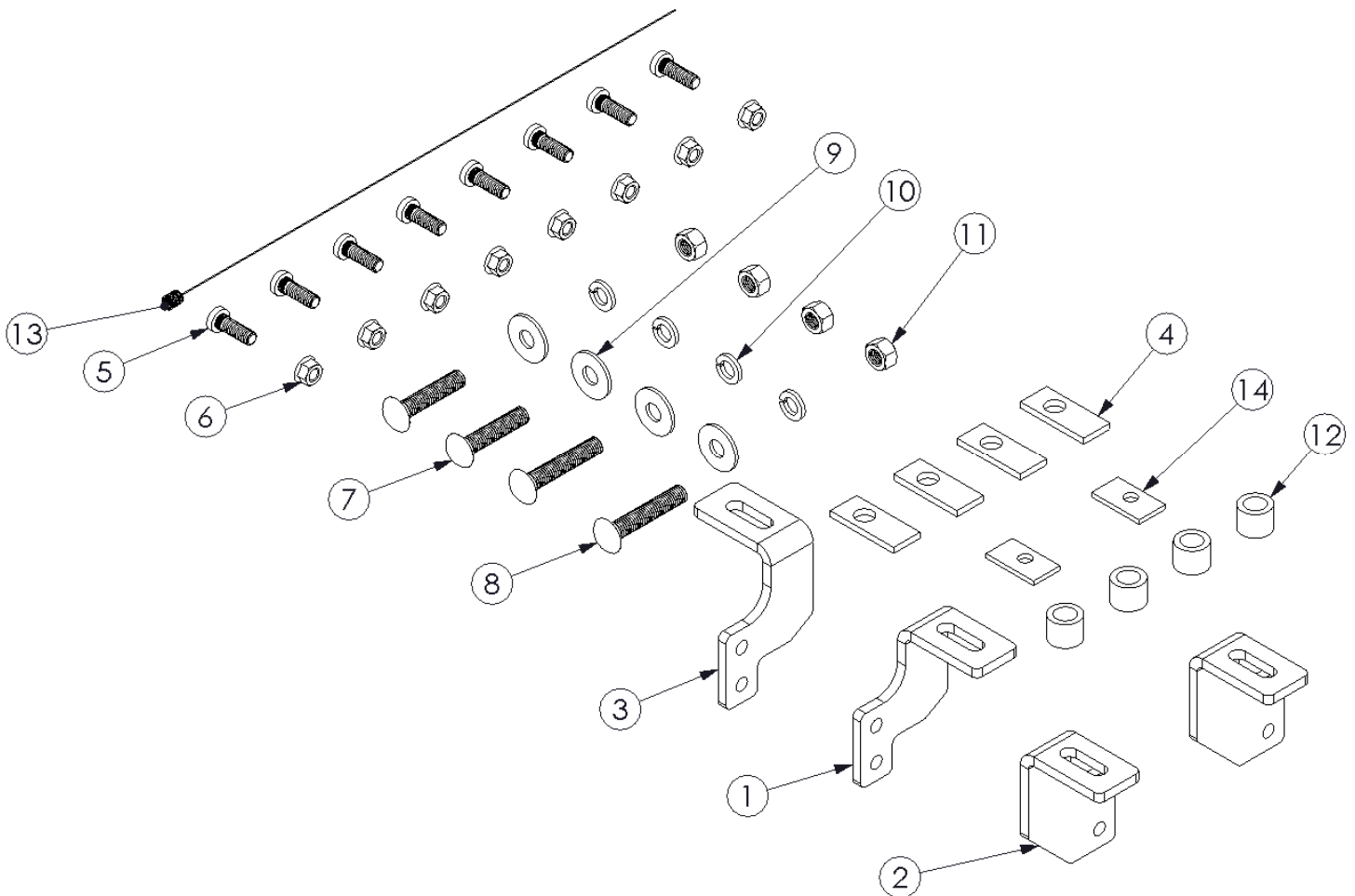
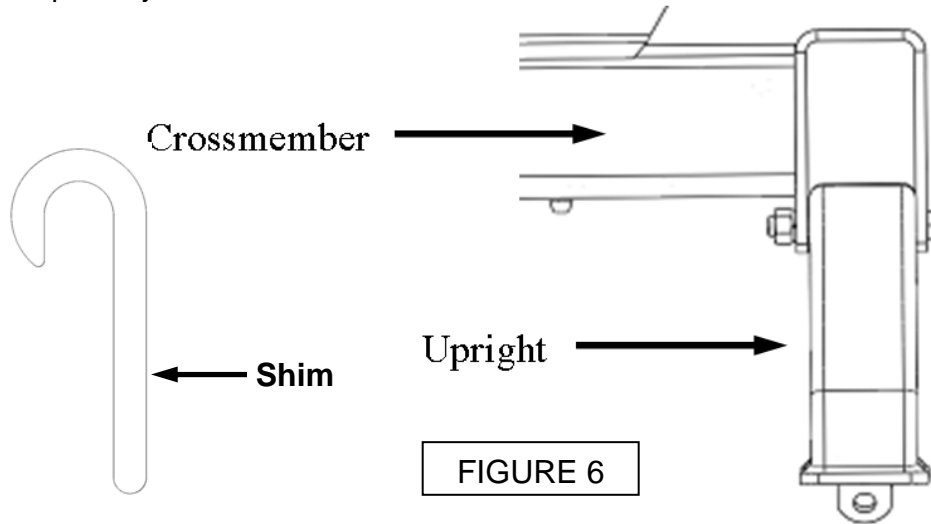
Align Item # 13 thru the top bolt attachment point



9. Tighten all 1/2" attachment bolts to 75 ft.-lbs. torque. Failure to tighten bolts as described may result in fastener loss or failure.

10. Tighten each 5/8" bed rail attachment bolt to 150 ft.-lbs. torque. Failure to tighten bolts as described may result in fastener loss or failure.

11. Check each rail hitch pin for freedom of movement in the bed rail connection before tightening the 5/8" carriage bolts. Adjust uprights, if necessary, by placing shim 31582 or 30243 between the upright and the cross member to obtain free pin movement. See Figure 6. Shims 31582 & 30243 sold separately.



Warranty Terms:

5 Year Limited Warranty:

This warranty applies solely to Husky 5th Wheel Installation Kit manufactured by LKQ Specialty Products Group for Husky Towing Products.

Husky Towing Products and LKQ Specialty Products Group make no guarantees or warranties for products not manufactured by LKQ Specialty Products Group. Such products are covered solely under any applicable warranty of the manufacturer. It is always recommended that the operating instructions and guarantee instructions provided by the manufacturer are followed.

LKQ Specialty Products Group warrants its products to be free from manufacturing and material defects to the original purchaser for the length of warranty stated above from the date of retail purchase. If any products are found to have a manufacturing or material defect, the product will be replaced or repaired at the option of Husky Towing Products and LKQ Specialty Products Group with proof of purchase by the original purchaser. The original purchaser shall pay all transportation and shipping costs associated with the return of the defective product and the defective product shall become the property of LKQ Specialty Products Group.

The Warranty applies to LKQ Specialty Products Group products used for individual and recreational purposes. Commercial usage of the LKQ Specialty Products Group products limits the warranty to 90-days from date of purchase.

The Warranty applies only to LKQ Specialty Products Group products which are found to be defective in manufacturing or material. This warranty does not apply to normal wear and tear of the finished product placed on LKQ Specialty Products Group products.

Husky Towing Products and LKQ Specialty Products Group are not responsible for any labor costs incurred for removal or replacement of the defective product. Husky Towing Products and LKQ Specialty Products Group are not responsible for repair or replacement of any product under the limited warranty where the product was improperly installed, misapplied, altered, abused, neglected, overloaded, misused or damaged as a result of an accident, including any use of the product not in accordance with all product operating and safety instructions.

Without limiting the generality of the foregoing, Husky Towing Products and LKQ Specialty Products Group shall under no circumstances be liable for any incidental or consequential loss or damage whatsoever arising out of, or in any way relating to any such breach of warranty or claimed defect in, or non-performance of the products. Some states do not allow the exclusion or limitation of incidental or consequential damages, so the above exclusion or limitation may not apply to you.

This limited warranty gives you specific legal rights, and you may also have other rights that vary from state to state.