



3000 SERIES STEPGUARD

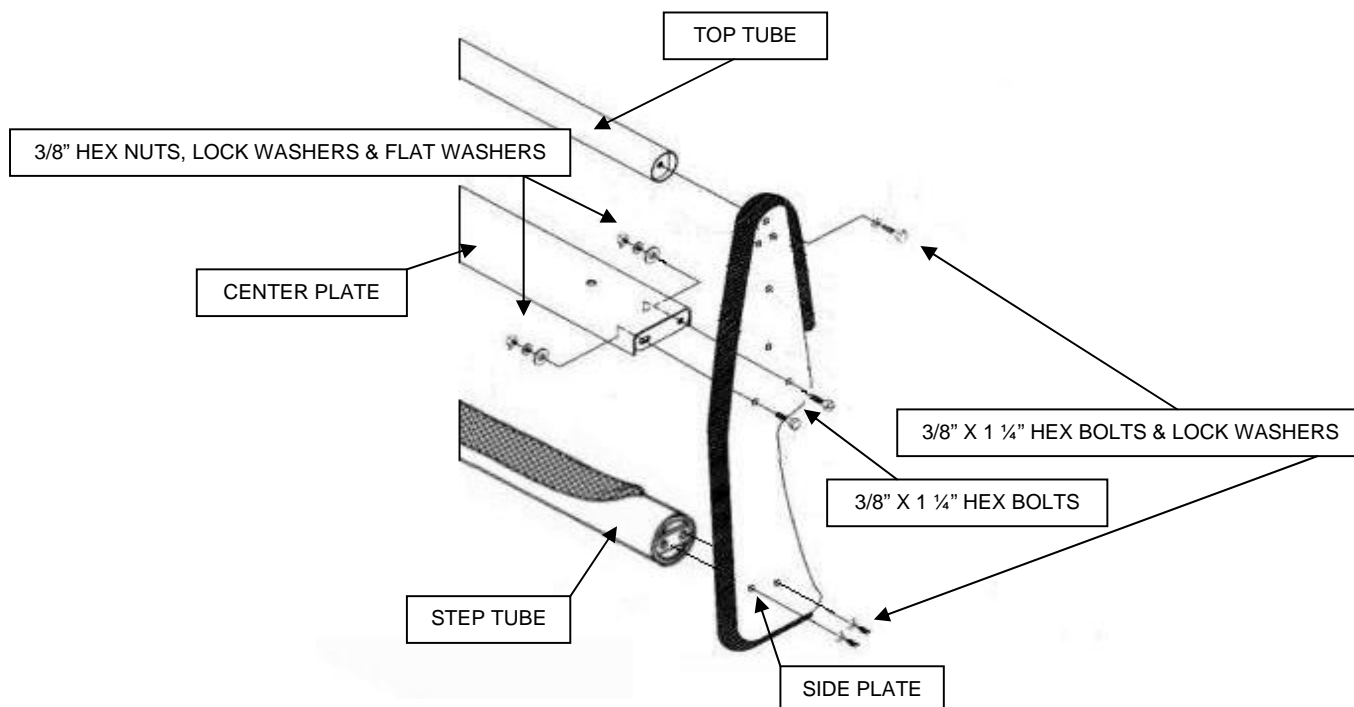
GRILLE GUARD ASSEMBLY INSTRUCTIONS

PART NO. 3217B & 3217C 2009 DODGE RAM 1500 2/4WD

Do not attempt to install this product on any vehicle other than the one it is designed for and listed above!

PARTS LIST

<u>QTY</u>	<u>PART DESCRIPTION</u>	<u>QTY</u>	<u>PART DESCRIPTION</u>
10	3/8" X 1 1/4" HEX BOLT	2	3217 SIDE PLATE
10	3/8" LOCK WASHER	1	ST3934 3" X 39 3/4" BOTTOM STEP TUBE
4	3/8" HEX NUT	1	CP3934 39 3/4" CENTER PLATE
4	3/8" FLAT WASHER	1	TT3217 2" X 39 3/4" TOP TUBE



ASSEMBLY INSTRUCTIONS

READ THE ASSEMBLY AND INSTALLATION INSTRUCTIONS COMPLETELY BEFORE YOU BEGIN.

THIS INSTALLATION REQUIRES CUTTING THE BUMPER AIR DAM.

STEP 1. BEGIN THE GRILLE GUARD ASSEMBLY BY LAYING THE COMPONENTS OUT ON A PROTECTIVE SURFACE.

STEP 2. POSITION THE GRILLE GUARD SIDE PLATES WITH THE FRONT EDGE DOWN AND THE 2" TOP AND BOTTOM STEP TUBE BETWEEN THE SIDE PLATES.

STEP 3. ATTACH THE TOP AND BOTTOM STEP TUBE TO THE SIDE PLATES USING THE 3/8" X 1 1/4" HEX BOLTS AND LOCK WASHERS. DO NOT TIGHTEN.

STEP 4. POSITION THE CENTER PLATE BETWEEN THE GRILLE GUARD SIDE PLATES, WITH THE **SLOTTED MOUNTING HOLES** IN THE CENTER PLATE DOWN.

STEP 5. INSERT THE 3/8" X 1 1/4" HEX BOLTS THROUGH THE HOLES IN THE SIDE PLATES AND CENTER PLATE, AND INSTALL THE 3/8" FLAT WASHERS, LOCK WASHER AND HEX NUTS. DO NOT TIGHTEN.

STEP 6. ALIGN THE GRILLE GUARD, AND TIGHTEN ONLY THE CENTER PLATE AND STEP TUBE NUTS AND BOLTS.



3000 SERIES STEPGUARD

GRILLE GUARD INSTALLATION INSTRUCTIONS

PART NO. 3217B & 3217C 2009 DODGE RAM 1500 2/4WD

Do not attempt to install this product on any vehicle other than the one it is designed for and listed above!

PARTS LIST

<u>QTY</u>	<u>PART DESCRIPTION</u>	<u>QTY</u>	<u>PART DESCRIPTION</u>
2	1/4" X 1" HEX BOLT	4	1/2" LOCK WASHER
2	1/4" FLAT WASHER	4	1/2" HEX NUT
2	1/4" LOCK WASHER	2	524244AA FRAME BRACKET
2	5/16" X 1 3/4" HEX BOLT	2	21710 EXT. BRACKET
2	5/16" LOCK WASHER	2	21720 UPPER BRACKET
2	5/16" FLAT WASHER	2	RECTANGULAR SPACER
4	1/2" X 1 1/4" CARRIAGE BOLT	2	21740 NUT PLATE
4	1/2" X 1 1/4" HEX BOLT		
8	1/2" FLAT WASHER		
4	1/2" LOCK NUT		

INSTALLATION INSTRUCTIONS

READ THE ASSEMBLY AND INSTALLATION INSTRUCTIONS COMPLETELY BEFORE YOU BEGIN.

THIS INSTALLATION REQUIRES CUTTING THE BUMPER AIR DAM.

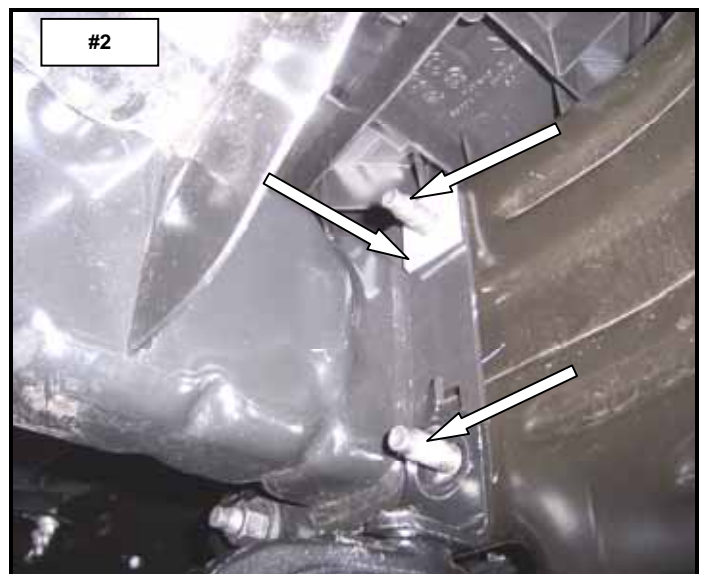
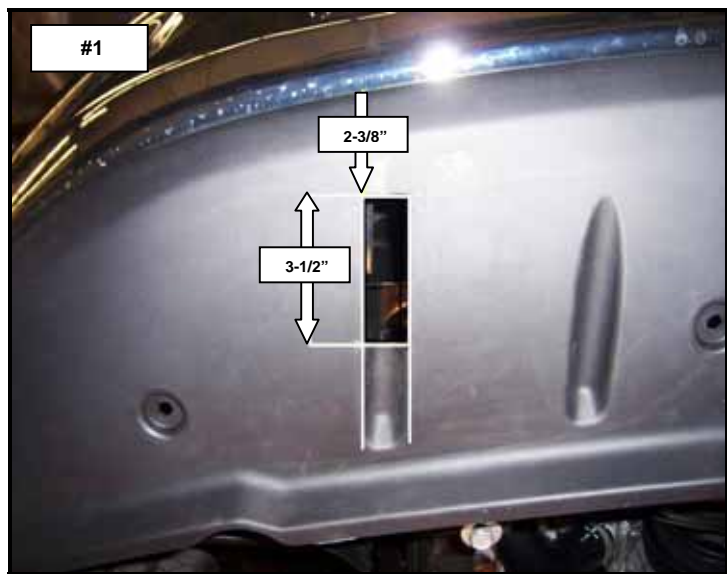
STEP 1. BEGINNING WITH THE PASSENGER SIDE, SCRIBE 2 VERTICAL LINES THE WIDTH OF THE OUTER RIB IN THE BUMPER AIR DAM. MEASURE AND SCRIBE 2 HORIZONTAL LINES AS SHOWN. USE A UTILITY KNIFE OR DREMEL TOOL TO CUT AND REMOVE THE RECTANGULAR SECTION BETWEEN THE LINES. **PHOTO #1**

NOTE: VERIFY THE MEASUREMENTS BEFORE CUTTING

REPEAT THE ABOVE PROCEDURE ON THE DRIVER SIDE.

STEP 2. LOCATE THE NUTS AND STUDS THAT SECURE THE BUMPER BRACKET TO THE PASSENGER SIDE FRAME RAIL. REMOVE THE (2) OUTER NUTS AND INSTALL (1) RECTANGULAR SPACER OVER THE UPPER STUD. **PHOTO #2**

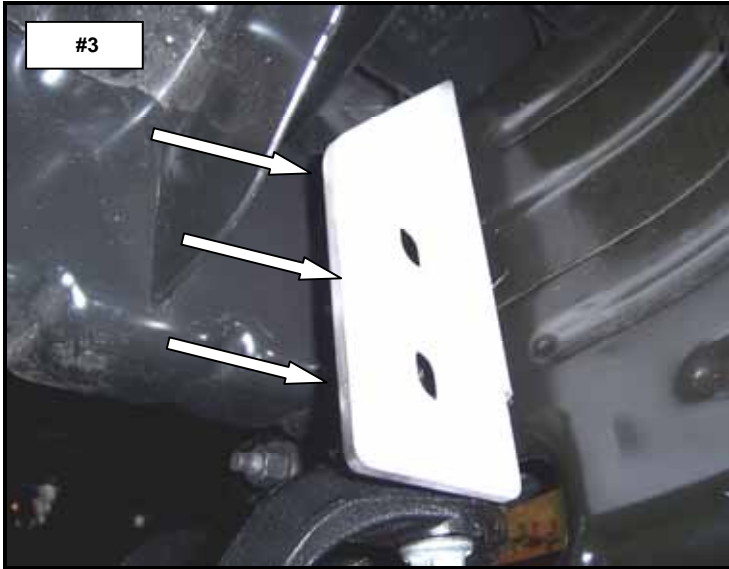
NOTE: THE RECTANGULAR SPACER IS ONLY USED ON MODELS EQUIPPED WITH FACTORY TOW HOOKS.



STEP 3. POSITION THE PASSENGER SIDE FRAME BRACKET OVER THE STUDS AND SECURE THE BRACKET TO THE FRAME USING THE (2) FACTORY NUTS. DO NOT TIGHTEN. **PHOTO #3**

STEP 4. INSERT THE PASSENGER SIDE EXTENSION BRACKET UP THROUGH THE OPENING CUT IN THE AIR DAM. ATTACH THE EXTENSION BRACKET TO THE FRAME BRACKET USING $\frac{1}{2}$ " X 1 $\frac{1}{4}$ " CARRIAGE BOLTS, FLAT WASHERS, LOCK WASHERS AND HEX NUTS. DO NOT TIGHTEN. **PHOTO #4**

REPEAT THE ABOVE PROCEDURE TO INSTALL THE DRIVER SIDE FRAME AND EXTENSION BRACKET.



STEP 5. OPEN THE HOOD AND REMOVE THE PLASTIC RADIATOR SHROUD AND THE (4) BOLTS SECURING THE TOP OF THE GRILLE TO THE CROSS MEMBER. **PHOTO #5**

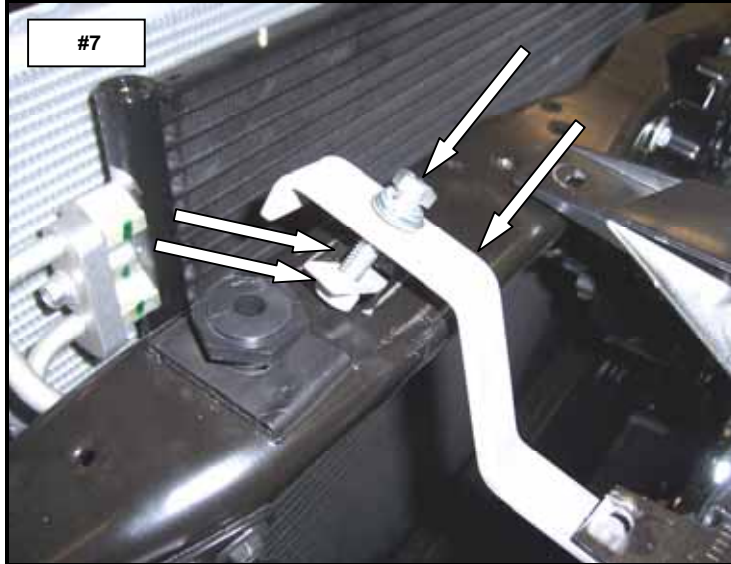
STEP 6. PULL OUTWARD ON THE TOP OF THE GRILLE AND INSERT ONE OF THE UPPER BRACKETS THROUGH THE OPENING IN THE PASSENGER SIDE OF GRILLE AS SHOWN. **PHOTO #6**



STEP 7. ASSEMBLE 5/16" X 1 3/4" HEX BOLT, LOCK WASHER, FLAT WASHER AND NUT PLATE ONTO THE UPPER BRACKET. INSERT THE LONGER END FIRST; OF THE NUT PLATE THROUGH THE RECTANGULAR OPENING IN THE CROSS MEMBER AND HAND TIGHTEN THE BOLT. **PHOTO #7**

REPEAT THE ABOVE PROCEDURE TO INSTALL A UPPER BRACKET ON THE DRIVER SIDE.

STEP 8. ATTACH THE GRILLE GUARD TO THE LOWER BRACKETS USING (4) 1/2" X 1 1/2" HEX BOLTS, FLAT WASHERS, AND LOCK NUTS. HAND TIGHTEN. **PHOTO #8**



STEP 9. ROTATE THE TOP TUBE; TO ALIGN THE 1/4" THREADED INSERTS WITH THE UPPER MOUNTING BRACKETS. ATTACH THE TOP TUBE TO THE UPPER BRACKETS USING 1/4" X 1" HEX BOLTS, LOCK WASHERS AND FLAT WASHERS. **PHOTO #9**

STEP 10. ALIGN THE GRILLE GUARD WITH THE FRONT OF THE VEHICLE AND TIGHTEN ALL ASSEMBLY AND INSTALLATION NUTS AND BOLTS. **PHOTO #10**



**FOR TECHNICAL OR WARRANTY INFORMATION CALL:
TOLL FREE (888)427-4466 FAX (714)672-0278
GO RHINO! Products® 591 W. Apollo St. Brea, CA 92821**