

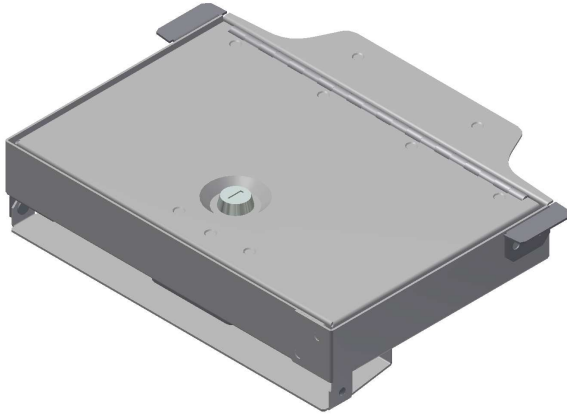
INSTALLATION INSTRUCTIONS

2019+ RAM Truck Console Insert #354

Fits Trucks with Full Console and Sliding Tray

Please read and fill out the enclosed warranty registration card or register online at tuffyparts.com/warrantyreg.aspx to activate your warranty.

PARTS CHECKLIST



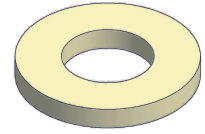
Console Insert #354

SHIPPING PACKAGE CONTENTS

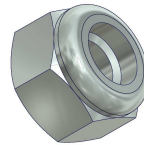
(Included In Key Bag)



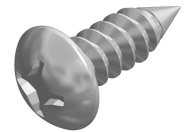
#14.1 (1)
1/4" x 5/8" Cap Screw



#14.2 (2)
1/4" Nylon Washer



#14.3 (1)
1/4"-20 Nylock Nut



#14.4 (6)
#12 x 5/8" Screws

Tools needed for standard installation:

- 5/32" Hex Wrench
- 7/16" End Wrench
- Phillips Head Screwdriver
- Drill and 1/8" bit (optional)
- Knife (optional)

PLEASE READ ALL INSTRUCTIONS THOROUGHLY BEFORE STARTING INSTALLATION.

1. Remove all contents from the shipping box and confirm that you have all the components listed above.
2. Remove the contents of the factory console, including the bottom mat.
3. Invert the #354 Console Insert so it rests on its lid, expand the legs and assemble the lid support hardware (Found in the Key Bag), as shown in **Figure 1**. Tighten the hardware in small increments so that the lid remains supported as you require (usually self-supporting at a 45 degree lid angle).

NOTE: One of the #14.2 Nylon Washers (shown to the right of the slotted arm) slips between the slotted arm and the stationary frame.

NOTE: Over time, the friction that holds the lid in the open position may be reduced. To increase the friction it is necessary to tighten the assembly. Tighten in small increments as required, removal of the Console Insert should not be necessary.

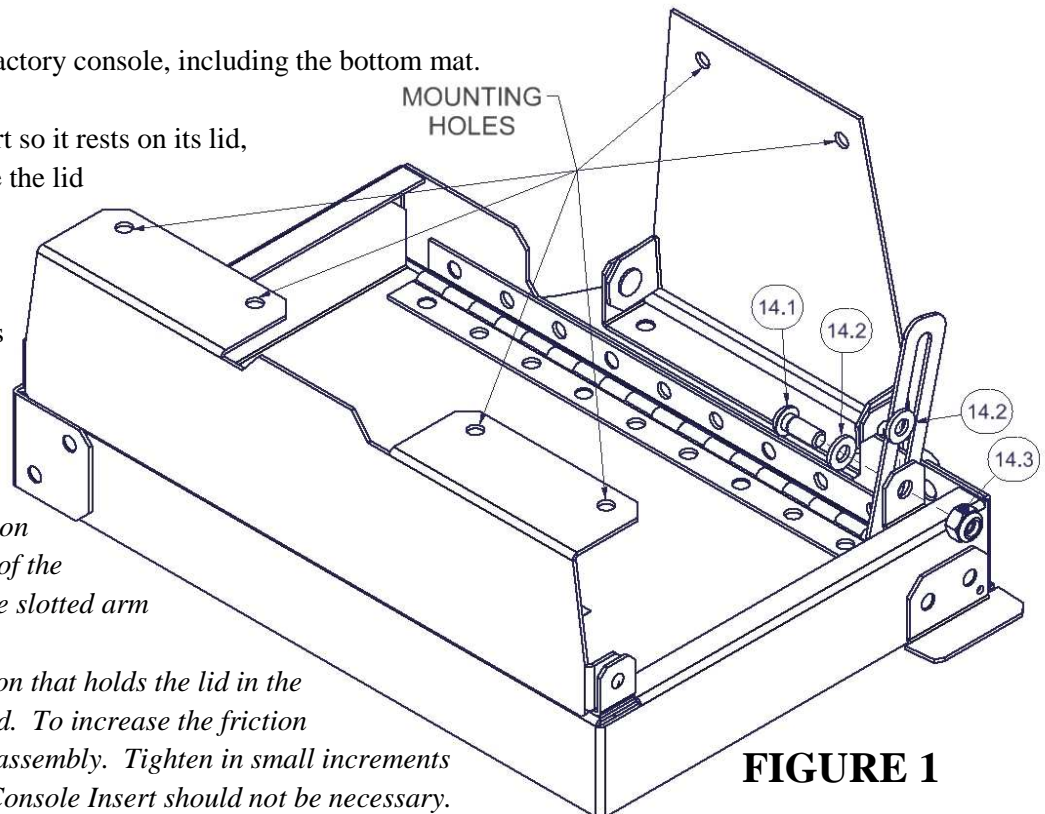


FIGURE 1

4. Open the factory console lid and remove the plastic divider in the bottom of the console by lifting it straight upward. **NOTE:** It is held by three clips. See **Figure 2**.

5. Fold the Console Insert legs into the shipping position and lower the insert into the console. By angling the right side of Console Insert (*side with lid support hardware*) into console opening first, the right “tab” will fit below the right hanging file support. See **Figure 2**.

6. Rotate the Console Insert to a horizontal position with the left “tab” below the left hanging file support.

7. Raise the Console Insert into its final position by unlocking/opening the lid and pressing the legs outward. **NOTE:** The key may only be removed when the lock is in the locked position, as it is used to lift the lid when unlocked.

WARNING!!! The key must be removed before sliding the console tray over the Console Insert. Failure to do so could result in damage to the key or the lock.

8. With the front and rear legs fully extended, and in contact with the plastic interior of the factory console, mark the mounting hole locations in the legs (*a silver marker works best*). See **Figure 1 for Hole Locations**

9. Remove the Console Insert from the console and use one of the #14.4 screws and a screwdriver to “drill” holes in the marked locations of the plastic console interior. **NOTE:** A drill and 1/8” bit may be used to pre-drill these locations for easier installation.

10. Return the Console Insert to its final position by repeating Steps #5 through #7, and secure the Console Insert in place using 6) #14.4 Screws in the holes from Step #9, being careful not to overtighten.

11. **OPTIONAL STEPS (Modifying Bottom Mat):** Use a straight edge to mark a line along the forward edge of the cavity and carefully cut along this line. See **Figure 3**

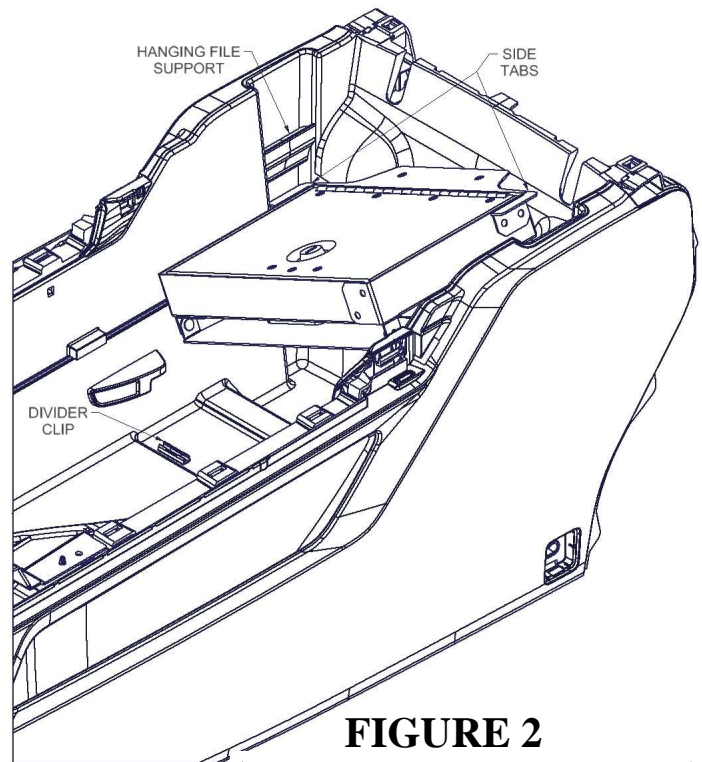


FIGURE 2
(Some Parts not Shown for Clarity)

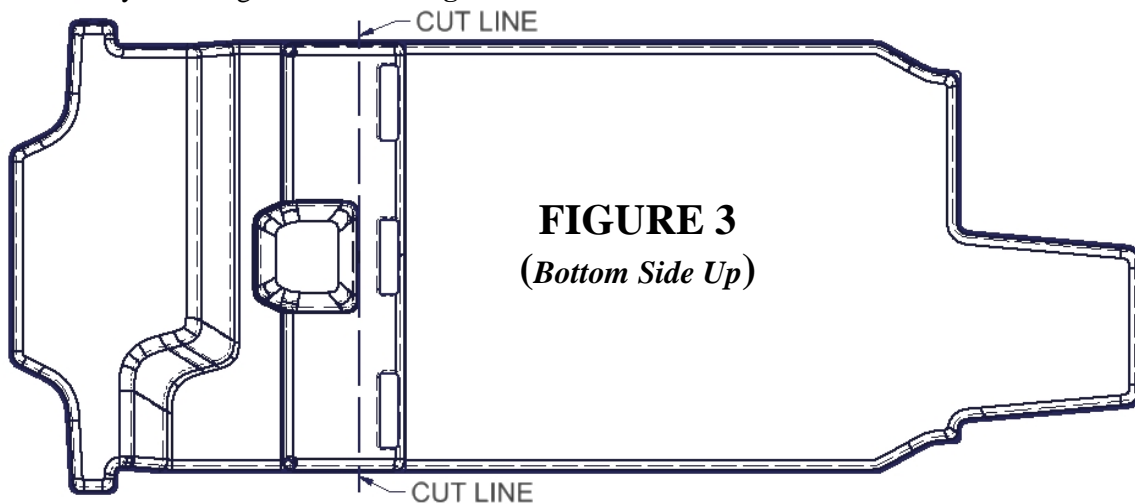


FIGURE 3
(Bottom Side Up)

12. Install the two portions of the bottom mat, and return the remaining contents to the console.