

# INSTALLATION INSTRUCTIONS

4407

90 – 95 4RUNNER 4DR. 2 & 4X4 ( REAR LEAF SPRING SUSPENSION ONLY)

## Parts List :

QTY	( 1 ) Hardware kit including :	
( 1 ) Sidebar set ( Driver & Passenger )	( 6 ) 1/2 x 2" Hex head bolt	( 4 ) 7/16" Lock washer
( 2 ) Front mounting bracket	( 6 ) 1/2" Flat washer	( 4 ) 7/16" Hex nut
( 2 ) Rear mounting bracket	( 6 ) 1/2" Lock washer	( 4 ) M8 x 25 mm Hex head bolt
( 2 ) Auxiliary mounting bracket	( 6 ) 1/2" Hex nut	( 4 ) 3/8" Flat washer
	( 4 ) 7/16 x 1" Hex head bolt	( 4 ) 3/8" Lock washer
	( 4 ) 7/16" Flat washer	

## Tools Required :

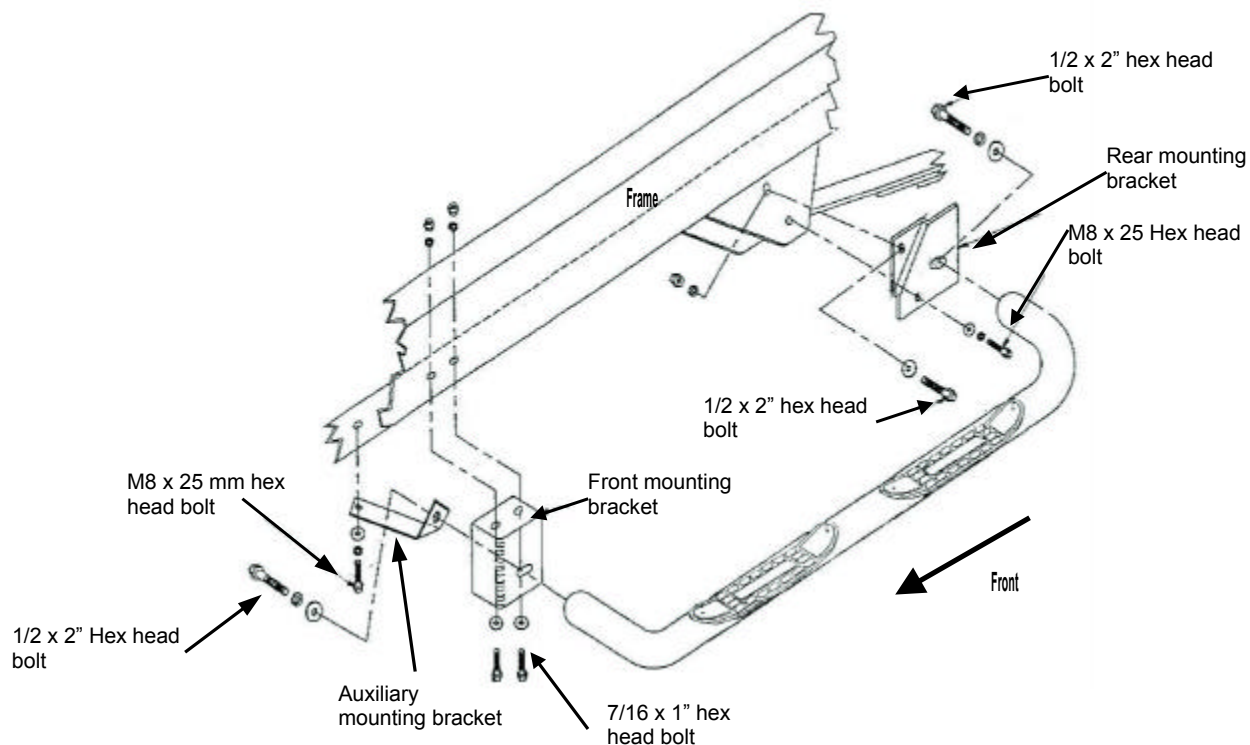
3/4" Socket	5/8" Socket
3/4" Wrench	13mm Socket

## Instructions :

**Approximated installation time:** 30 min.

1. Read and understand instructions completely before beginning installation.
2. Sidebar set consist of a driver and passenger side. Be sure to determinate the correct side before installation.
3. Remove the 8 mm bolt from the rear shackle at the location used to mount rear mounting bracket as shown below. Mount rear mounting bracket to shackle using a M8 x 25 mm bolt, 3/8" washers and existing nuts and 1/2 x 2" hex head bolt and corresponding washers and nuts as shown below.
4. Mount front mounting bracket to the two holes in the lower flange of the frame, using 7/16 x 1" hex head bolts, washers and nuts as shown below.
5. Place the sidebar up to the front and rear mounting brackets. Bolt auxiliary mounting bracket to the front mounting bracket and the sidebar using the 1/2 x 2" hex head bolt, flat and lock washer. Bolt rear mounting bracket to the sidebar using 1/2 x 2" hex head bolt, with corresponding washers. Leave loose.
6. Make any final adjustments to the alignment of the sidebar and tighten all bolts. Repeat for the opposite side.
7. You may need to periodically re-tighten the bolts.

## Assembly Diagram :



## Cleaning and care instructions :

Protect the finish with a non-abrasive automotive wax, (e.g. Pure Carnauba) on a regular basis. The use of any soap, polish, or wax that contains an abrasive is detrimental to the finish, as the compounds scratch the finish and cause corrosion.