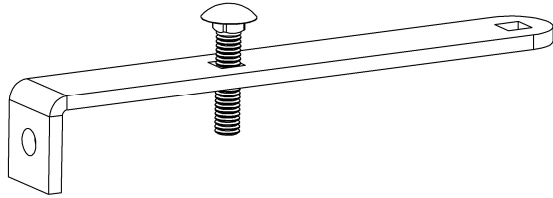
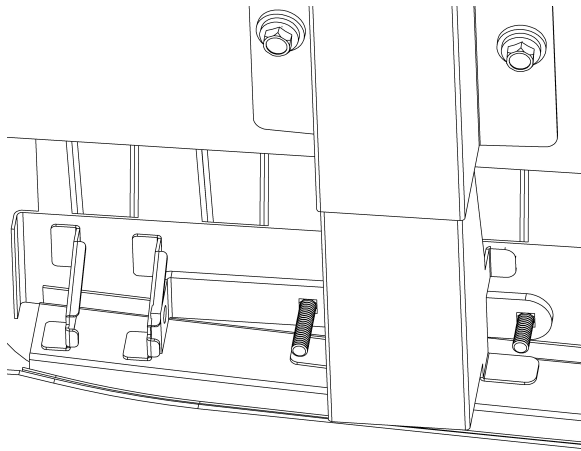


Work Truck Step Installation Instructions for Ford Transit Van Rear Door

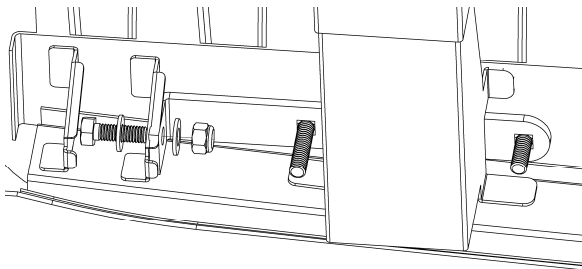
Part No: 501079 / 501977



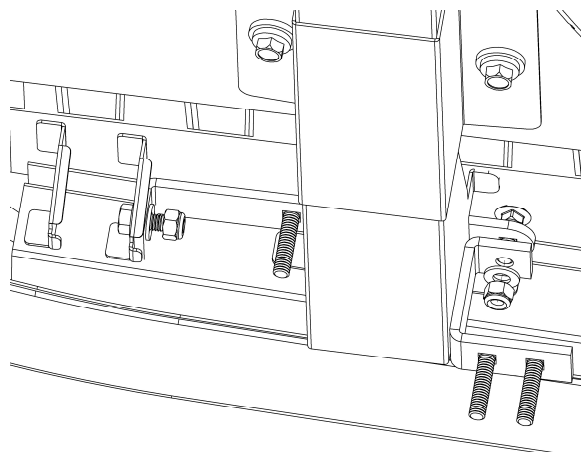
1. Take one of the Long "L" Brackets and insert one of the longer carriage bolts as shown.



2. From underneath the rear bumper on the passenger side, slide the Long "L" Bracket up above the channel on the vehicle as shown. Insert one of the short carriage bolts on the end of the Long "L" Bracket.



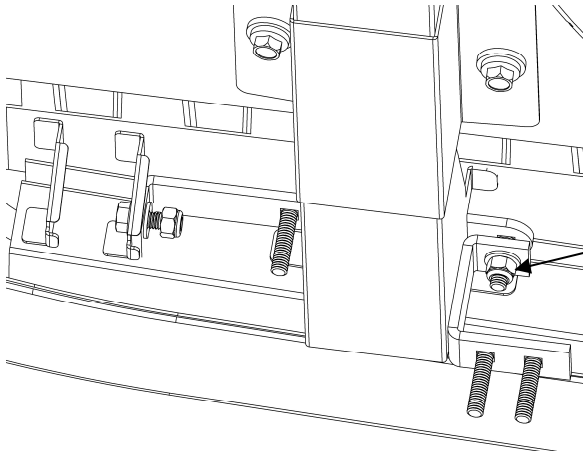
3. Take one of the hex head bolts with two washers and a nylon lock nut and hand-tighten this hardware to the vehicle and the Long "L" Bracket shown in the diagram.



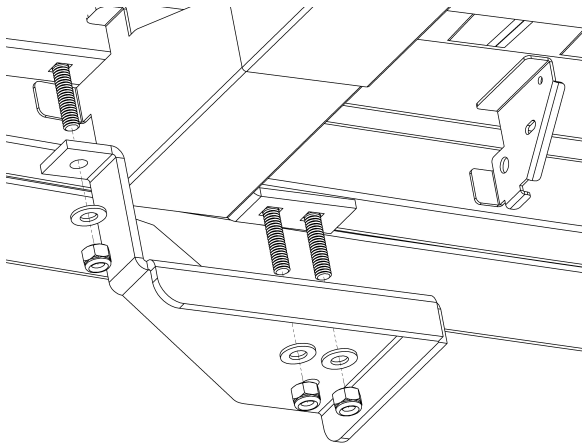
4. Take one of the "C" Brackets and slide it on to the shorter carriage bolt with a washer and nylon lock nut and only hand-tighten. Place two additional longer carriage bolts through the two holes at the bottom of the "C" Bracket. See diagram.

Work Truck Step Installation Instructions for Ford Transit Van Rear Door

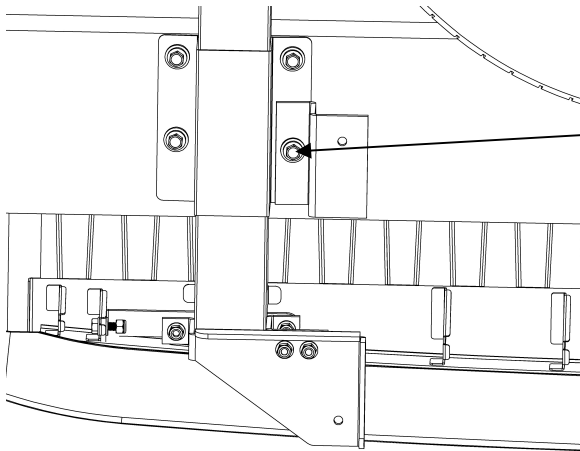
Part No: 501079 / 501977



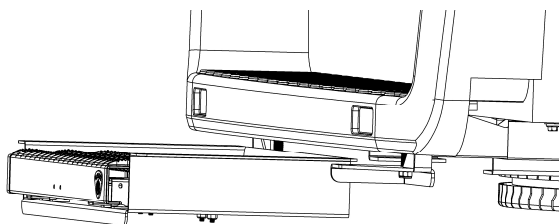
5. A very important step in the installation process, make sure to tighten this nylon lock nut so the bolt only comes through an 1/8". If this nylon lock nut gets over-tightened, it will be very difficult to install the front bolts later in step 10.



6. Take the right Main Bracket and slide it up with the three carriage bolts going through it. The rib on this Main Bracket goes between the plastic bumper and steel channel on the vehicle. It may be a tight fit.



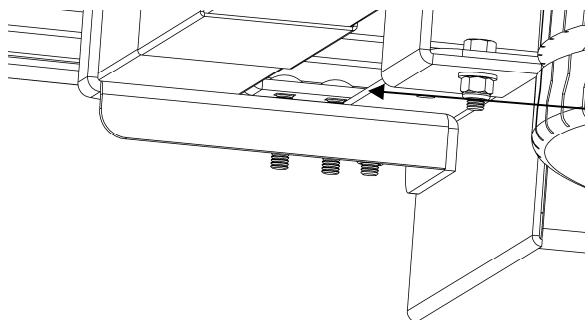
7. Remove the inside front bolt from the vehicle and place the right side Back Bracket in place. Reinstall the vehicle bolt and only hand-tighten. Follow these seven steps for the brackets on the driver's side, reversing the instructions when necessary.



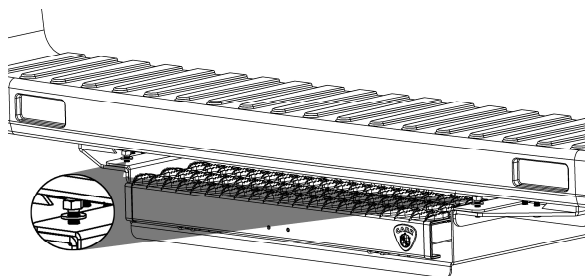
8. With all the brackets installed and hanging loose, take the entire step assembly and slide it on top of the brackets until the back of the pan hits the spare tire.

Work Truck Step Installation Instructions for Ford Transit Van Rear Door

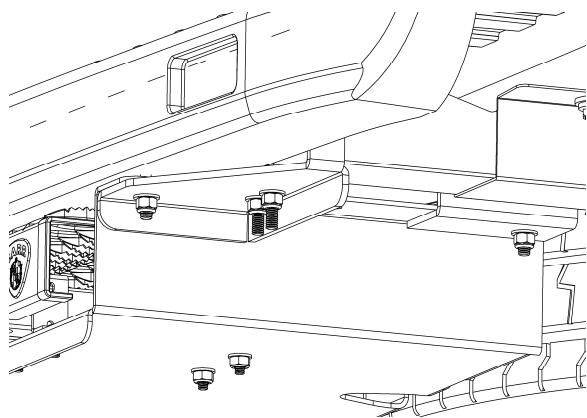
Part No: 501079 / 501977



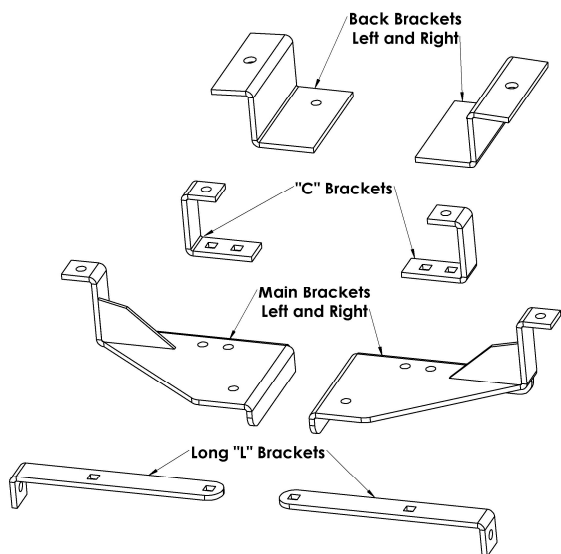
9. Make sure the feet of the "C" Brackets from Step 4, on both sides, are on top of the flange of the black powder coated pan.



10. Take two 5/16" hex bolts with washers and insert them in the front holes of the Main Brackets so they go through the pan. The first bolt and washer will be fairly easy to install. The second one may be more difficult. Wiggle the entire assembly if the fit is tight until the bolt and washer are installed. Take two washers and two nylon lock nuts and hand-tighten to these bolts.



11. Once all the hardware has been installed, securely tighten the step assembly to your vehicle. Push on the step to deploy it. Then push it in to lock it in place.



12. Lubricate your step on a regular basis to maintain easy operation. Spray this lubrication (see right image) or similar product on the inner rails of your step. It is best to use a silicone spray that dries without wet residue.



Work Truck Step Installation Instructions for Ford Transit Van Rear Door

Part No: 501079 / 501977

WARNINGS!

- ✓ FOR SAFE AND PROPER USAGE OF THIS PRODUCT THE MOUNTING INSTRUCTIONS MUST BE FOLLOWED CAREFULLY AND COMPLETELY.
- ✓ The manufacturer and distributor of this product are in no way responsible for the consumer's failure to adhere to the warnings and directions of these instructions in the event of damage to the consumer's vehicle, other properties and/or personal injury.



Quality and Style that Endures

Follow the diagram and the written directions carefully for a proper, safe installation.

Should you encounter an unusual or unforeseen problem, contact our Technical Help Line

7:00 AM – 3:00 PM Pacific Time

(800) 800-1084

Visit our web-site at

www.CARR.com

Warranty Information on our website

Carr Pattern Co., Inc.



To find our YouTube channel, type as one word in the YouTube search box:

CARRproducts

Then go to the Installation Video section for your specific video.

Or

go to www.CARR.com on any device and click the YouTube icon at the bottom of the any page. You will see our installation instructions there.

Vehicle Application:

'13- '20 Ford Transit Rear Door

MATERIALS NEEDED:

- * Drill motor (right angle drill motor is preferred)
- * Impact wrench (if available)
- * 2 – ½" wrenches or sockets
- * 1 – 13mm socket
- * Ratchet wrench

MATERIAL FURNISHED:

- * Step Assembly
- * 8 – Steel Brackets
- * Hardware installation pack
- * Instruction sheet

Installation time for one step assembly – 45 minutes

Carr Pattern Co., Inc. Warranty Policy

Finishes: Limited Lifetime

Structural Warranty: Limited Lifetime

Warranty Conditions:

- All warranties start from consumer's date of purchase.
- A new product will be sent out immediately to replace a warranty claim.
- The above guidelines apply only to the Original Purchaser.
- Original proof of purchase must be submitted for all warranty and returns issues.

Warranty Limitations:

- Warranty coverage extends ONLY to repair or replacement of the CARR product. This warranty does not cover the cost of labor, transportation, installation or removal of the product.
- Warranty coverage does not extend to damage caused by: collision, fire, theft, freezing, vandalism, riot, explosion or object striking the product, or misuse of the product and/or the vehicle on which the product is being installed.
- Warranty coverage does not extend to damage caused by: airborne fallout (chemicals, tree sap, etc.), stones, hail, earthquake, water or flood, windstorm, lightning, the application of chemicals or sealants subsequent to manufacture.
- Warranty coverage does not extend to damages caused by: normal wear and tear, abuse, modification or improper installation of the product.
- Warranty coverage does not extend to any economic loss or extra expense including (without limitation), payment for the loss of time or pay, inconvenience, storage, loss of vehicle use, vehicle rental expense, equipment rental expense, lodging, meals, or other travel costs.

Other Terms:

This warranty gives you specific legal rights and you may also have other rights that vary from state to state. CARR does not authorize any person to create for it any other obligation or liability in connection with its products. ANY IMPLIED WARRANTY OF MERCHANTABILITY OR FITNESS FOR A PARTICULAR PURPOSE APPLICABLE TO THIS PRODUCT IS LIMITED IN DURATION TO THE DURATION OF THIS WRITTEN WARRANTY. PERFORMANCE OF REPAIRS AND NEEDED ADJUSTMENTS IS THE EXCLUSIVE REMEDY UNDER THIS WRITTEN WARRANTY OR ANY IMPLIED WARRANTY. CARR SHALL NOT BE LIABLE FOR INCIDENTAL OR CONSEQUENTIAL DAMAGES RESULTING FROM BREACH OF THIS WRITTEN WARRANTY.*

*Some states do not allow limitations on how long an implied warranty will last or the exclusion or limitation of incidental or consequential damages, so that above limitations or exclusions may not apply to you.

Guarantee: Every attempt has been made to manufacture and distribute the finest quality products available. Our manufactured products are guaranteed to be free of defects due to workmanship or materials. Distributed products are subject to manufacturer's warranty only.