



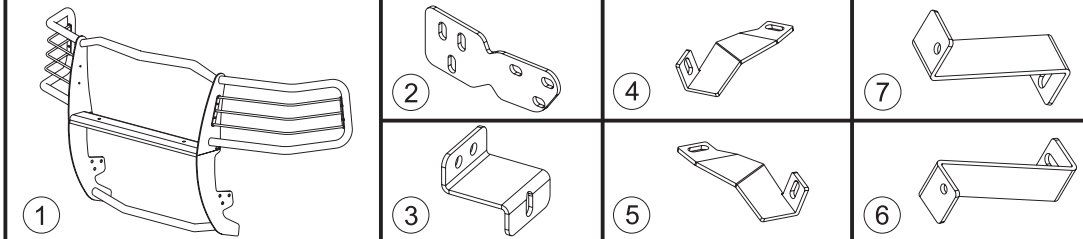
# INSTALLATION INSTRUCTIONS

APPLICATION: 2007-08 GMC SIERRA 1500 LD SERIES

AUTOMOTIVE PRODUCTS, INC.

SPORTSMAN  
ASSEMBLIES

40-2295  
45-2290

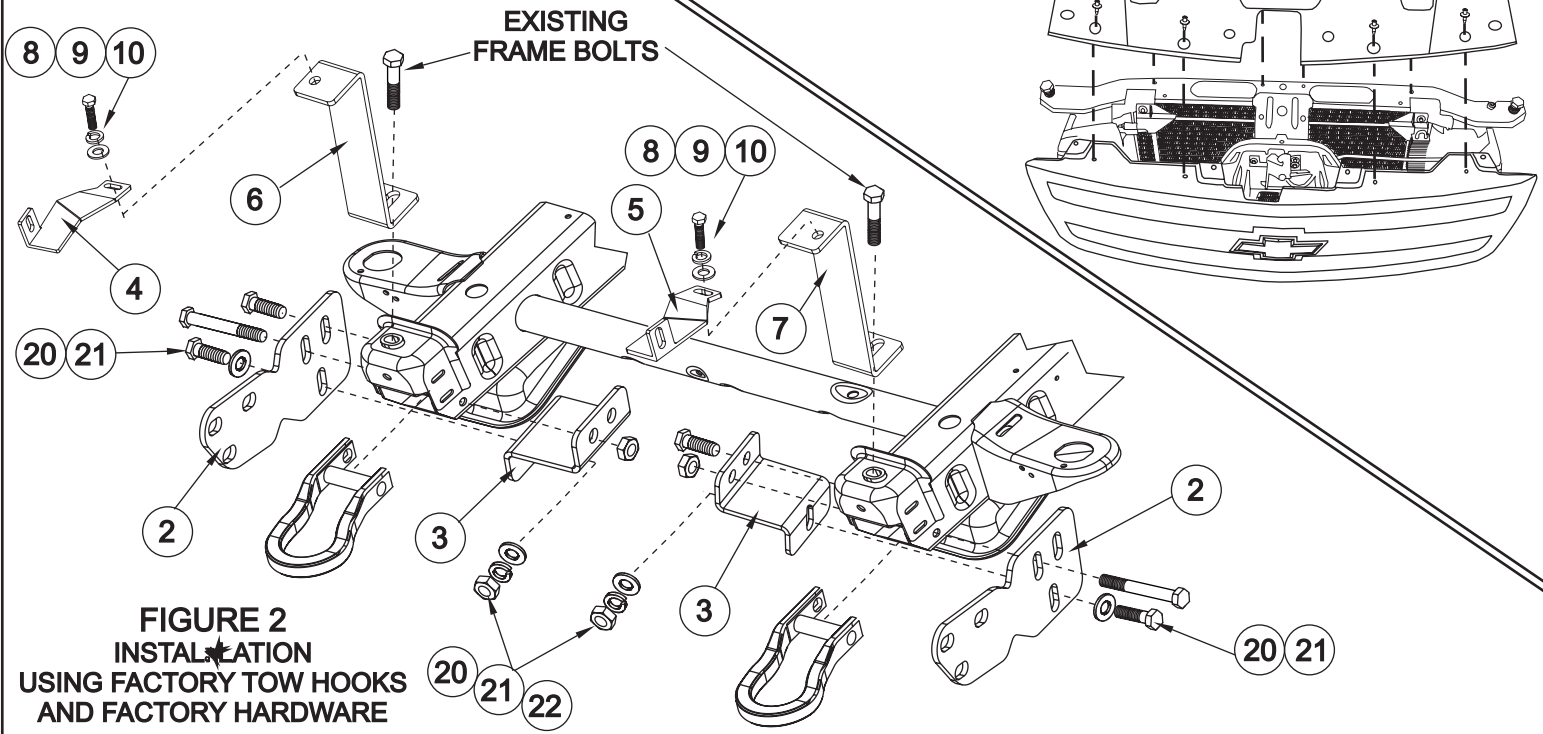


## PARTS KIT CONTENTS

ITEM	QTY	DESCRIPTION	TOOLS REQUIRED
1	1	SPORTSMAN ASSEMBLY	16MM WRENCH
2	2	BOTTOM BRACKET	18MM WRENCH
3	2	BOTTOM BRACKET BRACE	13MM SOCKET
4,5	2	TOP BRACKET, PASSENGER (4) AND DRIVER (5)	17MM SOCKET
6,7	2	TOP BRACKET SUPPORT, PASSENGER (6) AND DRIVER (7)	18MM SOCKET
8	2	M8-1.25 X 20MM HEX HEAD BOLT, YELLOW ZINC	19MM SOCKET
9	2	M8 FLAT WASHER, YELLOW ZINC	FLAT TIP SCREWDRIVER
10	2	M8 LOCK WASHER, YELLOW ZINC	RATCHET
11	2	M10-1.50 X 30MM HEX HEAD BOLT, STAINLESS STEEL	SOCKET EXTENSION
12	4	M10 FLAT WASHER, STAINLESS STEEL	UTILITY KNIFE
13	2	M10 LOCK WASHER, STAINLESS STEEL	
14	2	M10-1.50 HEX NUT, STAINLESS STEEL	
15	6	M12-1.75 X 35MM HEX HEAD BOLT, STAINLESS STEEL	
16	12	M12 FLAT WASHER, STAINLESS STEEL	
17	6	M12 LOCK WASHER, STAINLESS STEEL	
18	6	M12-1.75 HEX NUT, STAINLESS STEEL	
19	2	M12-1.75 X 35MM HEX HEAD BOLT, YELLOW ZINC	
20	10	M12 FLAT WASHER, YELLOW ZINC	
21	8	M12 LOCK WASHER, YELLOW ZINC	
22	8	M12-1.75 HEX NUT, YELLOW ZINC	
23	6	M12 BOLT PLATE, YELLOW ZINC	
24	2	ANTI-REFLECTIVE TAPE (POLISHED ASSEMBLIES ONLY)	

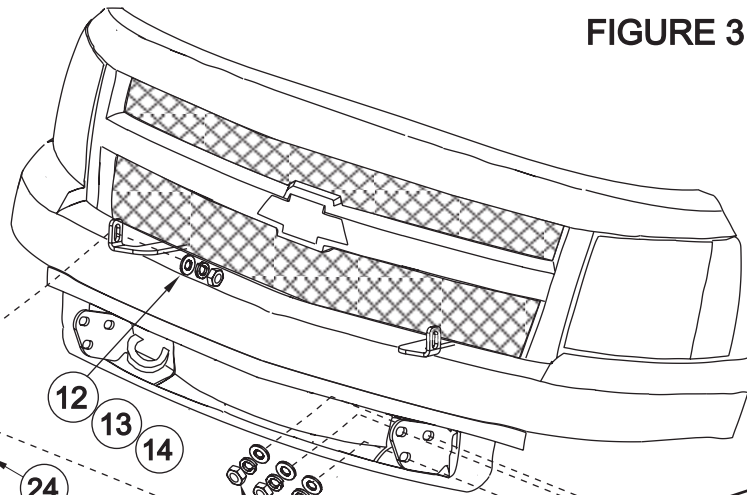
- NOTE: WESTIN ADVISES THE INSTALLER TO USE A THREAD LUBRICANT ON ALL STAINLESS HARDWARE.
- STEP 1. Remove the contents from box and check for damage. Verify all parts are present. Read instructions completely before beginning.
- STEP 2. Open the hood and remove the radiator cover. Using a small flat head screwdriver, remove the 8 push pins. **SEE FIGURE 1.**
- STEP 3. Remove the two top existing frame bolts and install the top bracket supports. Reinstall the bolts but leave them loose. **SEE FIGURE 2.**
- STEP 4. Remove tow hooks by removing the front through bolt and rear bolt that threads into the side of the tow hooks. The tow hooks will be reinstalled. **NOTE:** If vehicle was not equipped with tow hooks use the M12 bolt plates, insert through the holes in the frame ends. **SEE FIGURE 4.**
- STEP 5. Slide brackets in through the backside of the tow hook pockets. Align upper slots on brackets with holes on the outside of the frame ends. Secure brackets to bracket braces with with included M12 yellow fasteners. Reinstall tow hooks. Secure with factory hardware. Leave loose. It may be necessary to trim the fascia around the tow hook area in order to properly align the brackets. **SEE FIGURE 2.** Bolt the top bracket to the top bracket support using the M8 hardware.
- STEP 6. Attach Sportsman to bottom brackets using stainless steel M12 fasteners and to top brackets using M10 hardware. **SEE FIGURE 3.** Center and level Sportsman on vehicle and tighten all fasteners. Re-install radiator cover at this time.
- STEP 7. If light glare is being experienced off the wings of the grille guard, anti reflective tape has been supplied to reduce glare. With headlights on, note where the reflection is concentrated on the wing. Clean the wing well with a non-abrasive cleaner (rubbing alcohol works the best.) Trim the anti-reflective tape to the appropriate size where the glare was located and apply tape. **SEE FIGURE 3.**

**FIGURE 1**



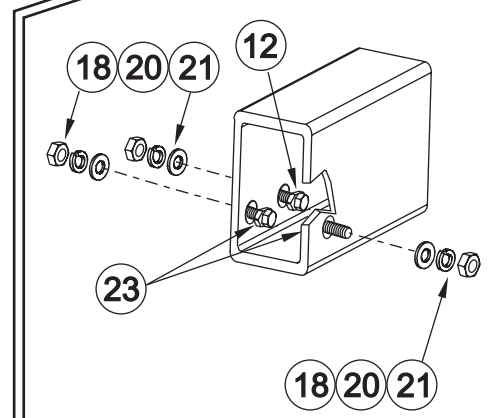
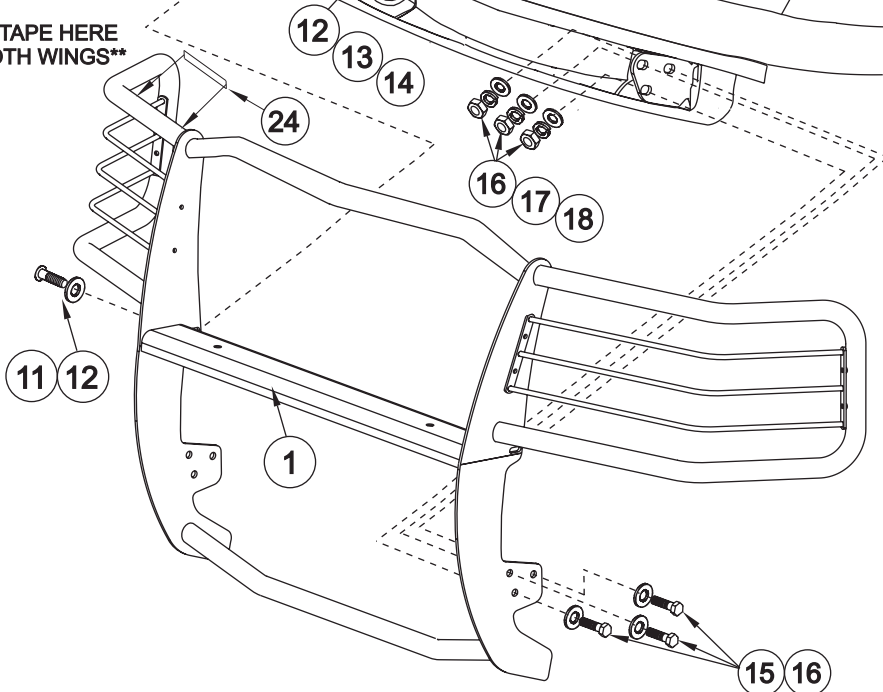
**FIGURE 2  
INSTALLATION  
USING FACTORY TOW HOOKS  
AND FACTORY HARDWARE**

**FIGURE 3**



**TRIMMING OF TOW HOOK  
AREA MAY BE NEEDED**

**APPLY TAPE HERE  
\*\*ON BOTH WINGS\*\***



**FIGURE 4  
INSTALLATION  
WITHOUT TOW HOOKS**