



SIGNATURE OF QUALITY

AUTOMOTIVE PRODUCTS, INC.

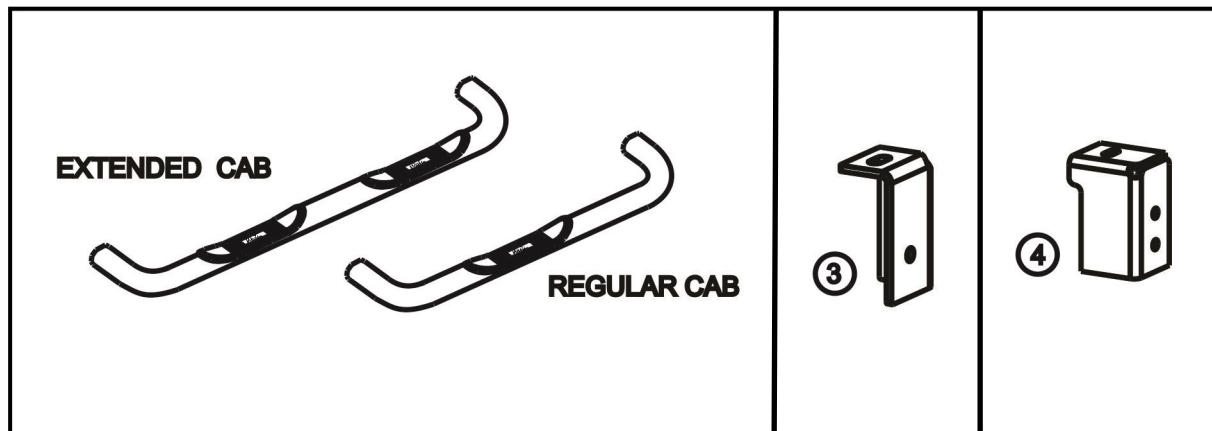
INSTALLATION INSTRUCTIONS

APPLICATION: STEP BAR / 88-98 CHEVY/GMC C/K Pickup, 92-94 CHEVY Blazer Fullsize, 95-99 CHEVY Tahoe - 2 door, 92-99 GMC Yukon - 2 door - Regular Cab
APP# 23-0500, 23-0505, 25-0500, 25-0505, 25-0630, 25-0635
25-0885, 25-0890, 26-0500, 26-0505, 26-0630, 26-0890

ITEM	QUANTITY	DESCRIPTION	TOOLS NEEDED
1	2	STEP BAR ASSEMBLY	19MM SOCKET
2	2	FRONT MOUNTING BRACKETS	19MM WRENCH
3	2	REAR MOUNTING BRACKETS	TORQUE WRENCH
4	4	M12 LONG HEX HEAD BOLTS	
5	4	1/2" SHORT HEX HEAD BOLTS	
6	8	1/2" FLAT WASHER	
7	8	1/2" LOCK WASHER	

ANTI-SEIZE LUBRICANT MUST BE USED ON ALL STAINLESS STEEL FASTENERS TO PREVENT THREAD DAMAGE AND GALLING

1. Remove all contents from box, verify all parts listed are present and free from damage. Carefully read and understand all instructions before attempting installation.
2. Attach brackets to vehicle body mounts using metric bolts as shown.
3. Attach step bar to bracket using 1/2" fasteners. NOTE: Use correct hole location for the rear leg of step bar for your vehicle. Tube should not touch vehicle body.
4. Make sure step bar and brackets are properly aligned with vehicle and tighten fasteners. Recommended torque value 50-55 ft-lbs. for 12mm bolts and 64 ft-lbs. for 1/2" fasteners.

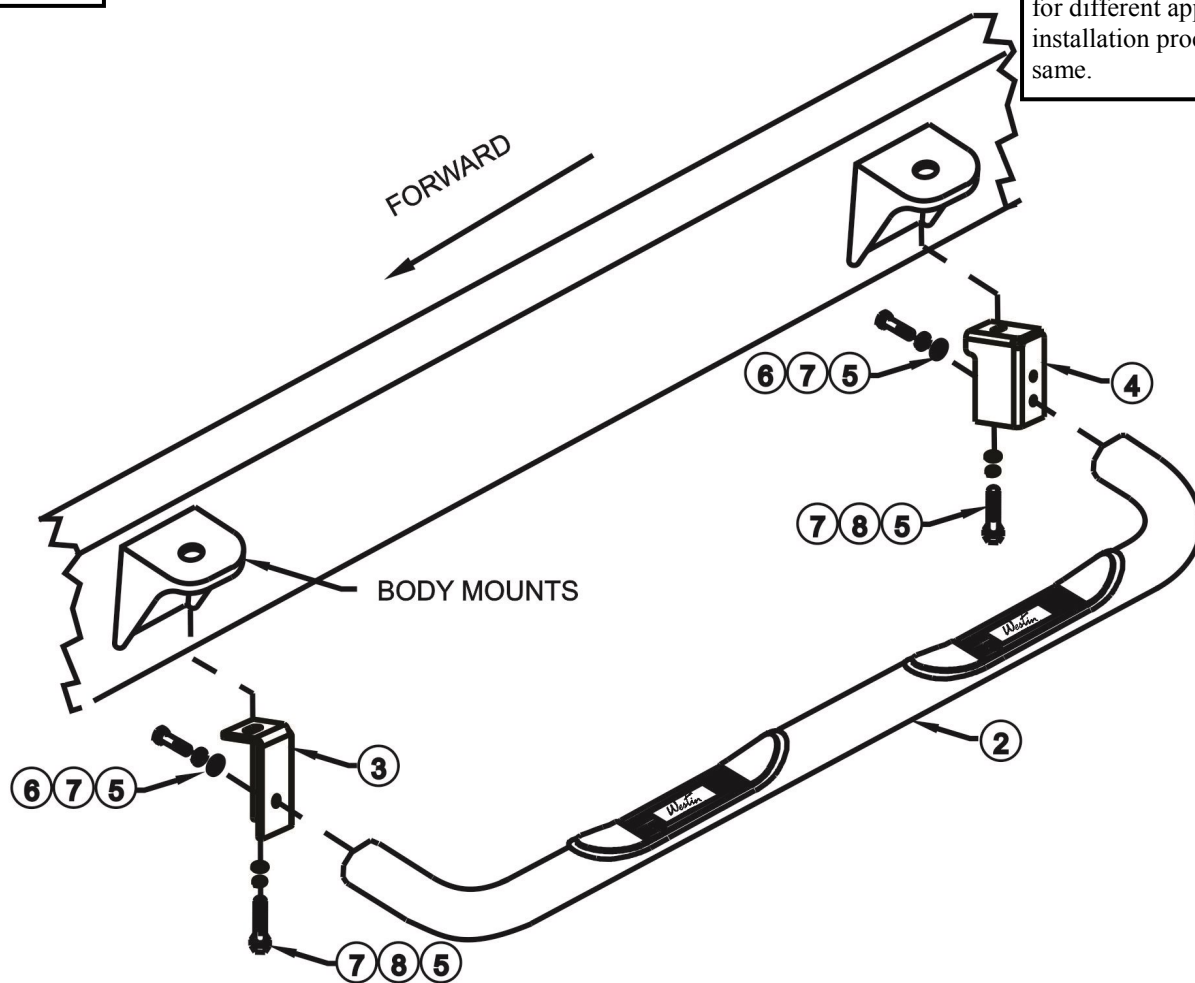


Westin Automotive Products, Inc.
320 Covina Blvd
San Dimas, Ca. 91773

Thank You for choosing Westin products
For Additional installation assistance please call
Customer service (800) 793-7846
www.westinautomotive.com

Full Assembly

Brackets may look different for different applications, installation processes are the same.



INSTALLATION VIEW OF DRIVER SIDE SHOWN, PASSENGER SIDE OPPOSITE

CARE INSTRUCTIONS

- REGULAR WAXING IS RECOMMENDED. DO NOT USE ANY TYPE OF POLISH OR WAX THAT MAY CONTAIN ABRASIVES.
- STAINLESS STEEL PRODUCTS CAN BE CLEANED WITH MILD SOAP AND WATER. STAINLESS STEEL POLISH SHOULD BE USED TO POLISH SMALL SCRATCHES.
- GLOSS BLACK FINISHES SHOULD BE CLEANED WITH MILD SOAP AND WATER.



Westin Automotive Products, Inc.
320 Covina Blvd
San Dimas, Ca. 91773

Thank You for choosing Westin products
For Additional installation assistance please call
Customer service (800) 793-7846
www.westinautomotive.com