



AUTOMOTIVE PRODUCTS,

# INSTALLATION INSTRUCTIONS

## 4" OVAL TUBE MOUNT KIT

### APPLICATION:

2005-2011 Jeep Grand Cherokee

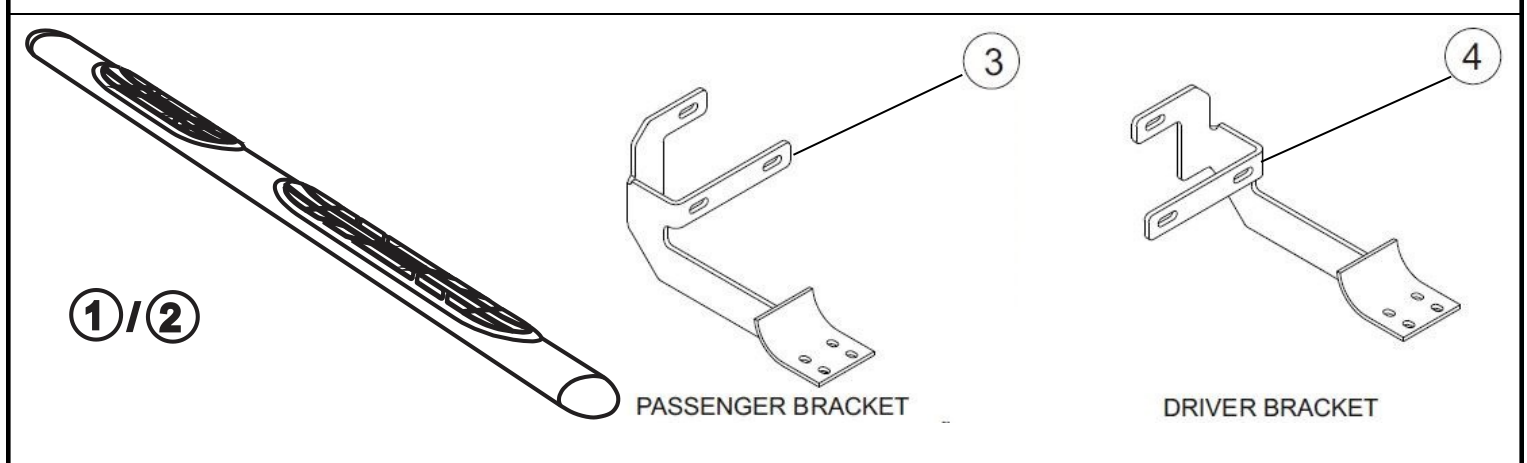
2006-2010 Jeep Commander

### PART NUMBER:

22-1645

ITEM	QUANTITY	DESCRIPTION	TOOLS NEEDED
1,2	2	STEP BAR , PASSENGER (1) AND DRIVER (2) (SOLD SEPERATELY)	(2) 13MM WRENCH
3	2	PASSENGER BRACKET	7/16" SOCKET
4	2	DRIVER BRACKET	RATCHET
5	12	M8 HEX HEAD BOLT	TORQUE WRENCH
6	20	M8 FLAT WASHER	
7	12	M8 LOCK WASHER	
8	8	M8 HEX NUT	
9	4	M8 EXTRUDED NUT	
10	4	MOUNT ADAPTER PLATE (INCLUDED WITH STEP BARS)	
11	16	M6 LOCK NUT (INCLUDED WITH STEP BARS)	
12	16	M6 FLAT WASHER (INCLUDED WITH STEP BARS)	

**ANTI-SEIZE LUBRICANT MUST BE USED ON ALL STAINLESS STEEL FASTENERS TO PREVENT THREAD DAMAGE AND GALLING**



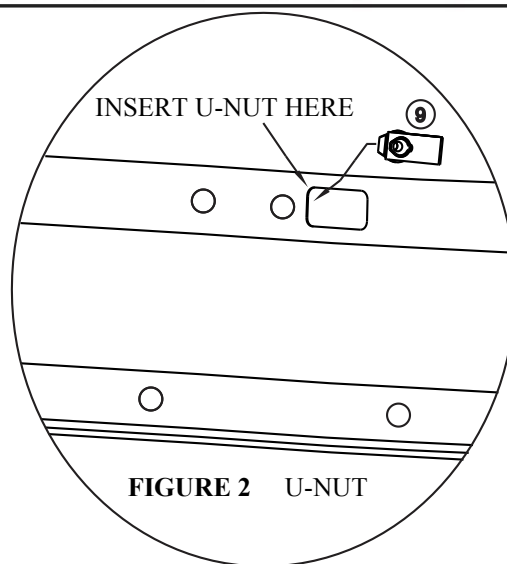
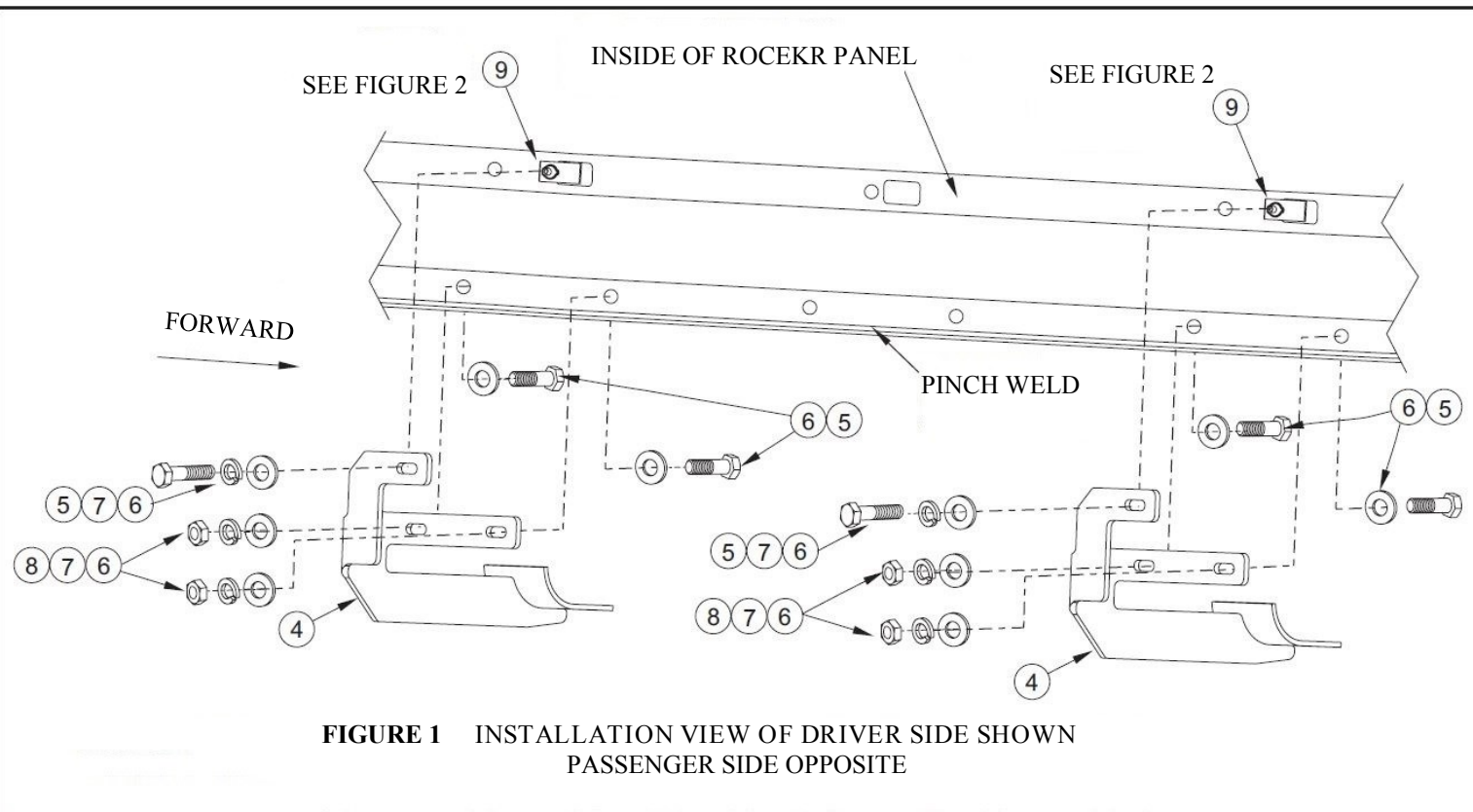
### PROCEDURE

1. Remove contents from box, verify if all parts listed are present and free from damage. Carefully read and understand all instructions before attempting installation.  
**Failure to identify damage before installation could lead to a rejection of any claim.**
2. Determine passenger and driver brackets. Both front and rear brackets are the same for each side. See **CONTENTS FIGURE**.
3. Locate driver side mounting locations on vehicle. See **FIGURE 1**.



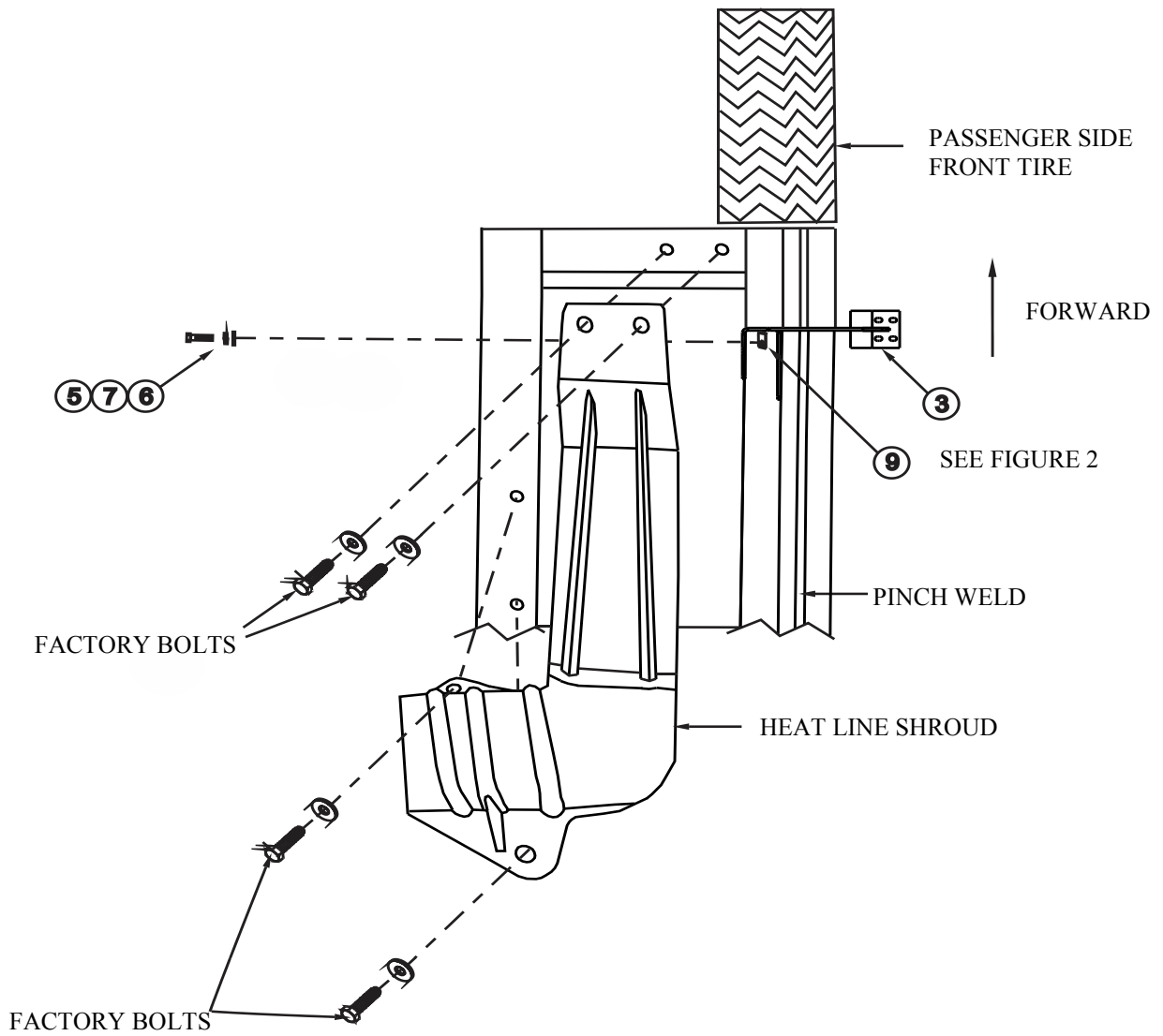
Westin Automotive Products, Inc.  
320 W. Covina Blvd  
San Dimas, Ca. 91773

4. Attach driver side brackets to underside of rocker panel as shown. Hand tighten. **See FIGURES 1 & 2.**  
**For Jeep Commanders only:** To attach the passenger side front bracket, remove the four bolts that secure the rear air and heat line shroud. Remove the shroud to gain access to top mounting location on the bracket. After bracket is installed and fasteners are tightened, reattach shroud with the four existing bolts previously removed. **See FIGURE 3.**
5. Slide mount adapter plates on step bar as shown. Place step bar on saddle with long pad forward and end cap screw facing inward. Assemble with M6 hardware. **See FIGURES 4, 5, & 6.** Reference installations sheet, 75-0820, Oval Tube Mount Adapter Kit.
6. Make sure step bar and brackets are properly aligned with vehicle and tighten fasteners. Recommended torque values are 23 FT.LBS. for M8 fasteners and 18.8 FT.LBS for factory M8 bolts.
7. Repeat installation for passenger side.

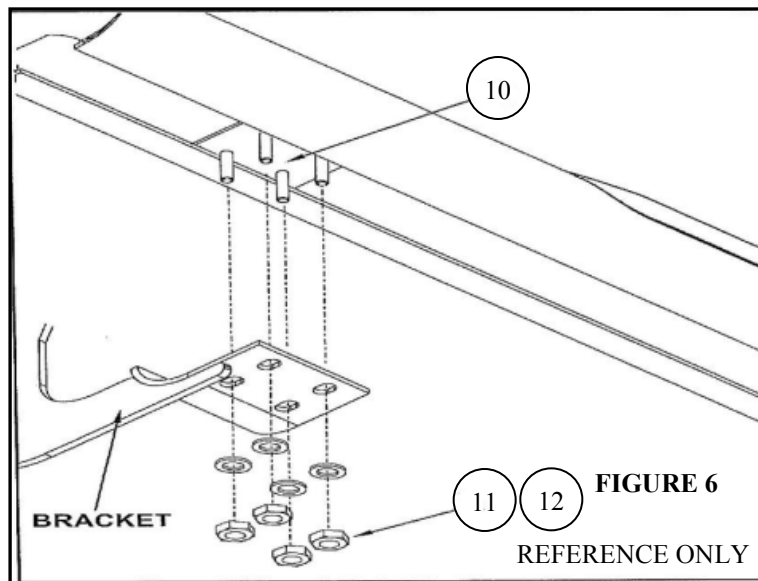
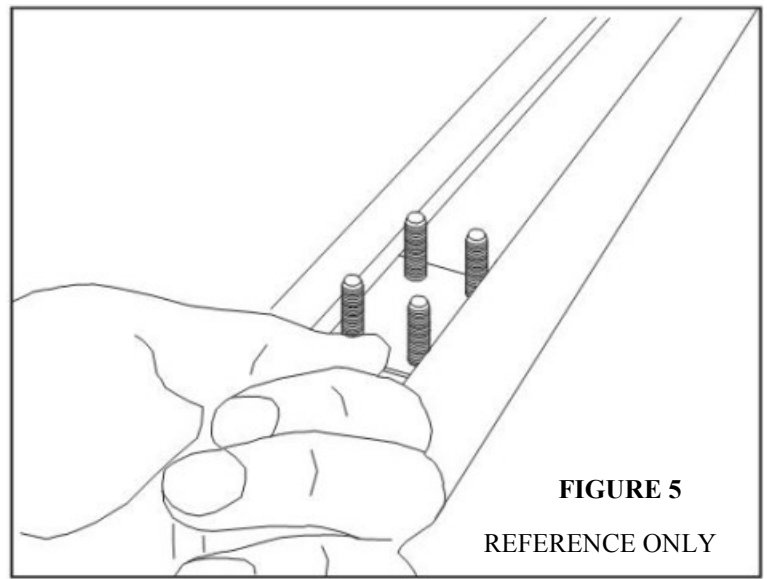
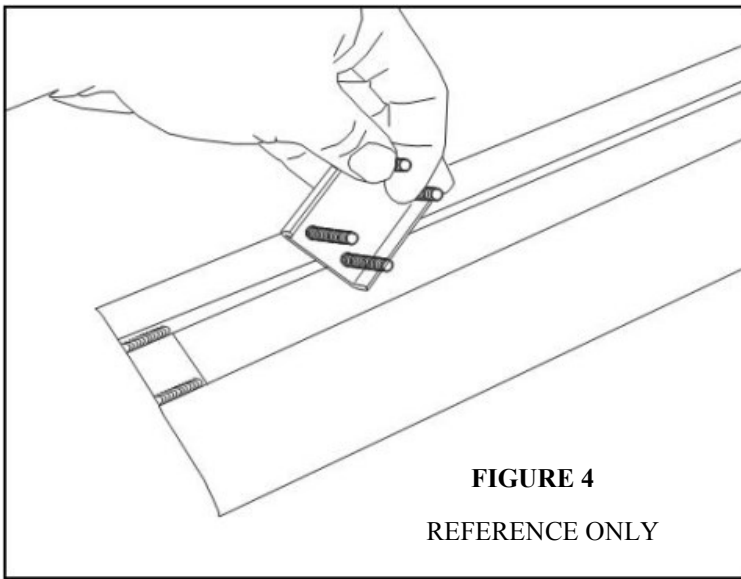


Westin Automotive Products, Inc.  
 320 W. Covina Blvd  
 San Dimas, Ca. 91773

Thank you for choosing Westin products  
 for additional installation assistance please call  
 Customer Service (800) 793-7846



**FIGURE 3**



**CARE INSTRUCTIONS**

- REGULAR WAXING IS RECOMMENDED. DO NOT USE ANY TYPE OF POLISH OR WAX THAT MAY CONTAIN ABRASIVES.
- STAINLESS STEEL PRODUCTS CAN BE CLEANED WITH MILD SOAP AND WATER. STAINLESS STEEL POLISH SHOULD BE USED TO POLISH SMALL SCRATCHES.
- GLOSS BLACK FINISHES SHOULD BE CLEANED WITH MILD SOAP AND WATER.



Westin Automotive Products, Inc.  
320 W. Covina Blvd  
San Dimas, Ca. 91773

Thank you for choosing Westin products  
for additional installation assistance please call  
Customer Service (800) 793-7846

[www.westinautomotive.com](http://www.westinautomotive.com)

DATE: 07/28/16