

# INSTALLATION INSTRUCTIONS

## TRANSMISSION PAN SKID PLATE



**APPLICATION:**

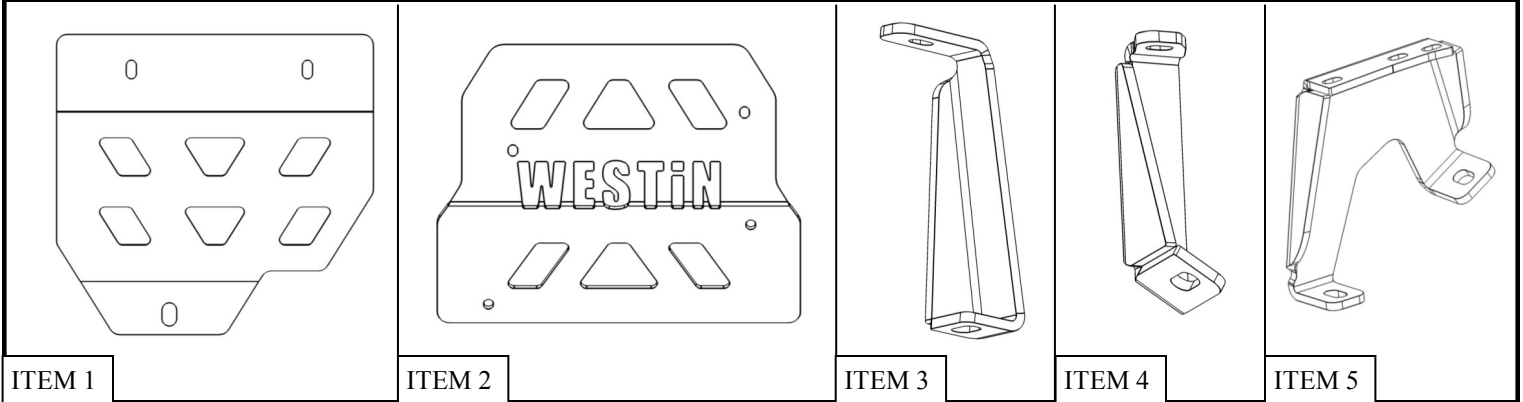
2018-2020 Jeep Wrangler JL 2 Dr/Wrangler JL Unlimited 4 Dr  
(Excl. 2018 JK); 2020 Jeep Gladiator (Excl. Diesel)

**PART NUMBER:**

42-21075

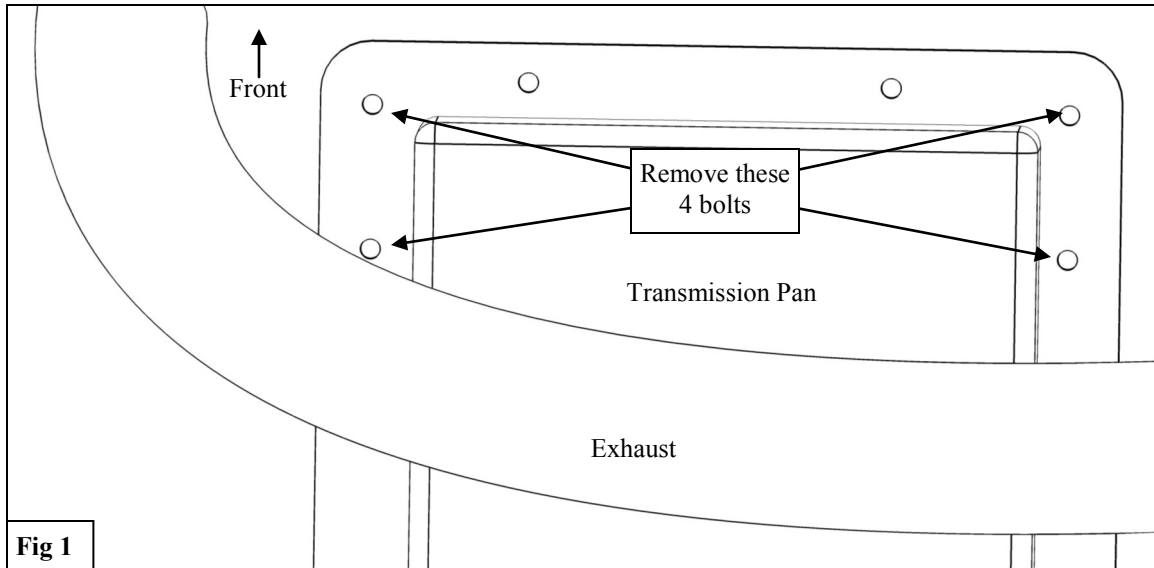
CONTENT			
ITEM	QUANTITY	DESCRIPTION	TOOLS NEEDED
1	1	REAR SKID PLATE SECTION	10MM SOCKET
2	1	FRONT SKID PLATE SECTION	10MM WRENCH
3	1	BRACKET A	13MM SOCKET
4	1	BRACKET B	13MM WRENCH
5	1	BRACKET C	16MM SOCKET
6	2	M10 NUT PLATE	RATCHET
7	2	M10 HEX HEAD BOLT	TORQUE WRENCH
8	2	M10 FLAT WASHER	
9	2	M10 SPLIT LOCK WASHER	
10	4	M8 SPLIT LOCK WASHER	
11	4	M8 HEX HEAD BOLT	
12	4	M8 FLAT WASHER	
13	4	M8 SERRATED FLANGE NUT	
14	4	M6 HEX HEAD BOLT	
15	4	M6 FLAT WASHER	
16	4	M6 SPLIT LOCK WASHER	

**ANTI-SEIZE LUBRICANT MUST BE USED ON ALL STAINLESS STEEL FASTENERS TO PREVENT THREAD DAMAGE AND GALLING**

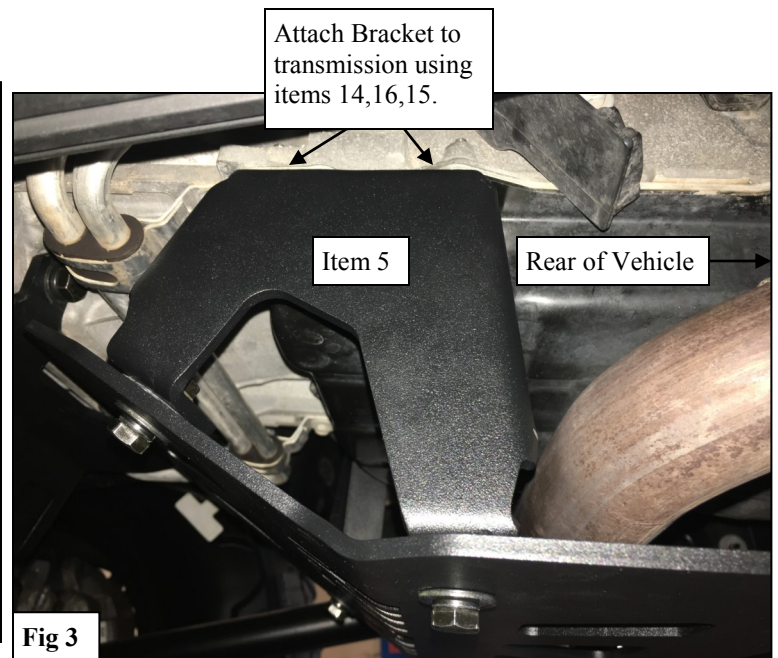
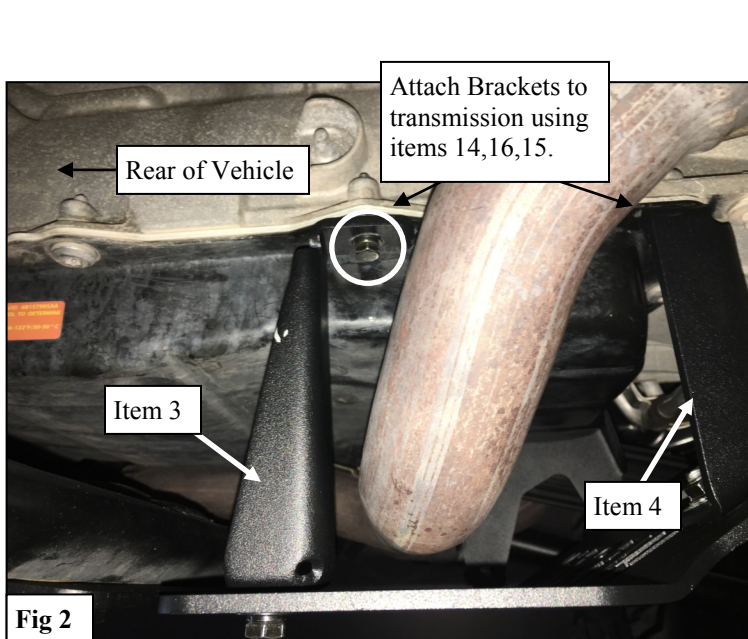


## PROCEDURE

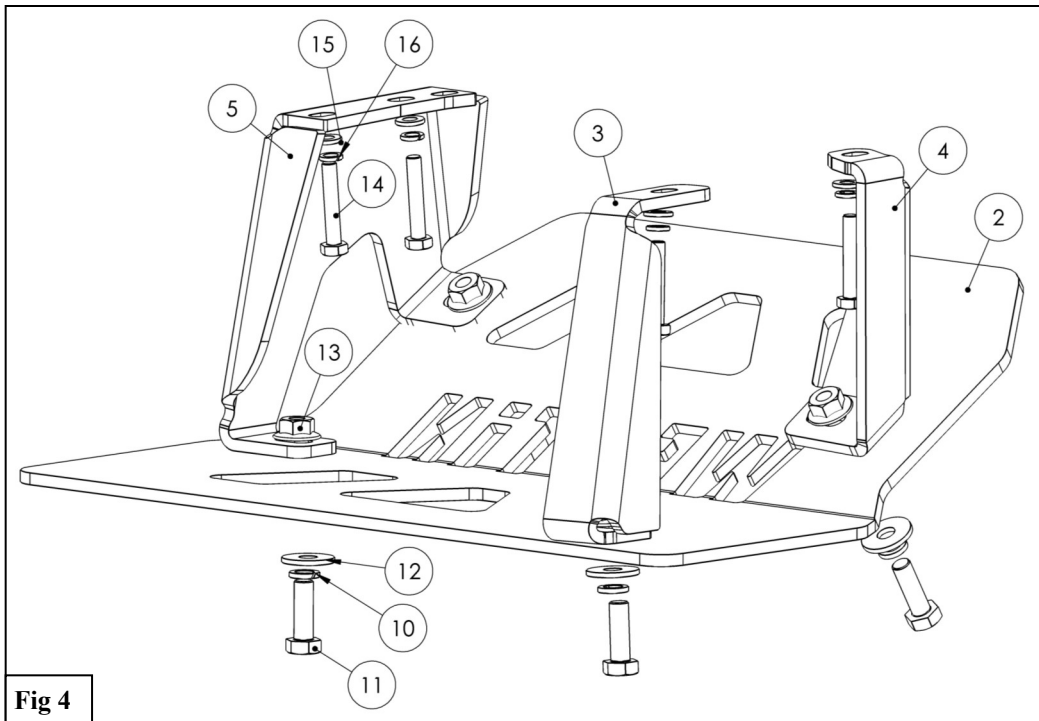
1. Remove contents from box, verify if all parts listed are present and free from damage.  
Carefully read and understand all instructions before attempting installation.  
**Failure to identify damage before installation could lead to a rejection of any claim.**
2. Begin by removing the 4 bolts from the Transmission Pan as shown in **Figure 1**.



3. Loosely install Brackets A & B (3,4) using the supplied M6 Hardware in the driver side bolt locations shown in **Figure 1**. See **Figure 2**.
4. Loosely install Bracket C (5) using the supplied M6 Hardware in the passenger side bolt locations shown in **Figure 1**. See **Figure 3**.



5. Install the Front Skid Plate Section (2) to the previously installed brackets using the supplied M8 Hardware. See **Figure 4**.

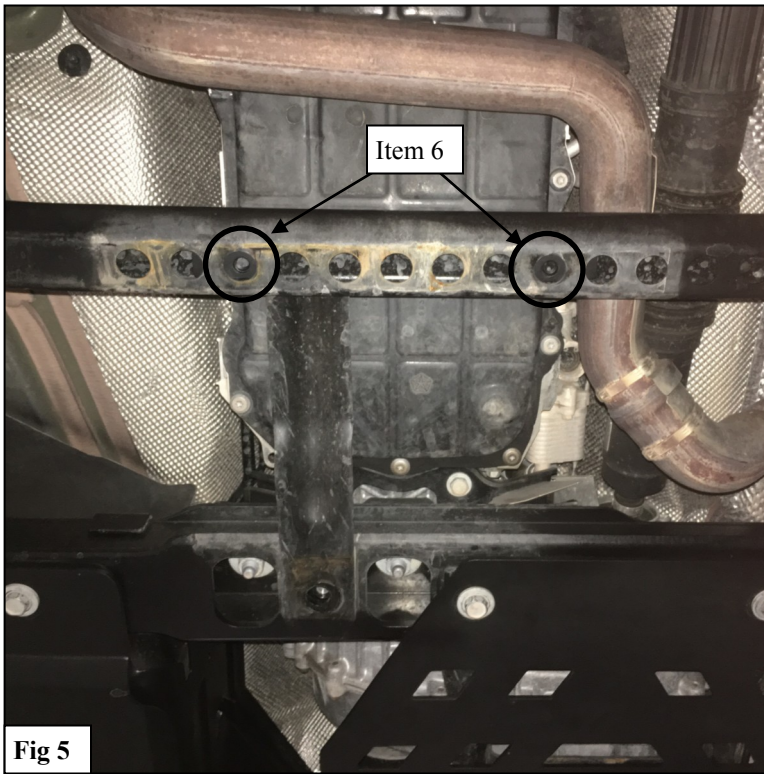


**Fig 4**

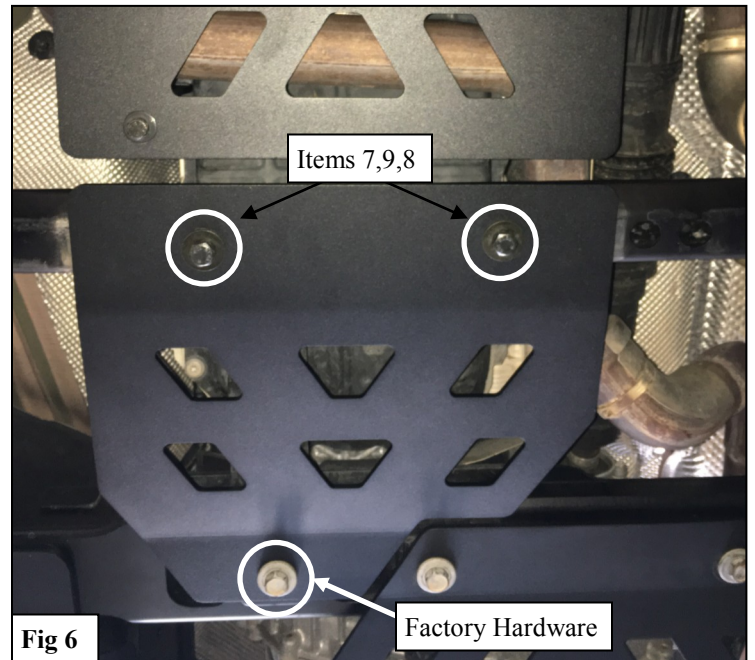
6. Insert the supplied Nut Plates (6) into the cross member shown in **Figure 5**.

7. Install the Rear Skid Plate Section (1) using the supplied M10 Hardware and OEM Hardware. See **Figure 6**.

8. Adjust the skid plates as necessary and torque all hardware as specified: M6 to 7 ft-lbs, M8 to 18 ft-lbs, M10 to 38 ft-lbs.



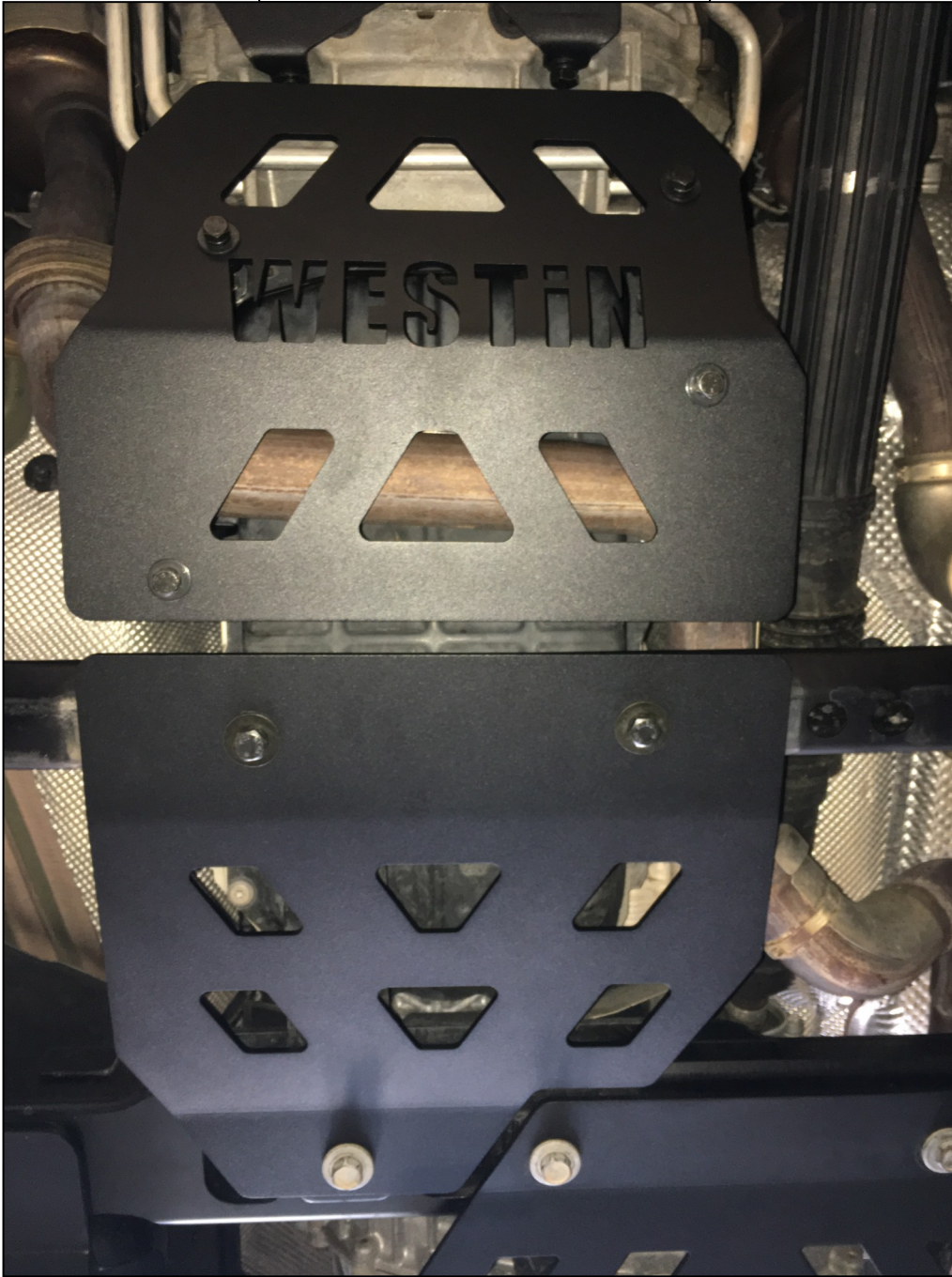
**Fig 5**



**Fig 6**



INSTALLATION COMPLETE



**CARE INSTRUCTIONS**

- REGULAR WAXING IS RECOMMENDED. DO NOT USE ANY TYPE OF POLISH OR WAX THAT MAY CONTAIN ABRASIVES.
- STAINLESS STEEL PRODUCTS CAN BE CLEANED WITH MILD SOAP AND WATER. STAINLESS STEEL POLISH SHOULD BE USED TO POLISH SMALL SCRATCHES.
- GLOSS BLACK FINISHES SHOULD BE CLEANED WITH MILD SOAP AND WATER

**WESTIN**

Westin Automotive Products, Inc.  
320 W. Covina Blvd  
San Dimas, Ca. 91773

Thank you for choosing Westin products  
for additional installation assistance please call  
Customer Service (800) 793-7846

[www.westinautomotive.com](http://www.westinautomotive.com)

DATE: 03/25/20



## WARNING



Failure to follow these instructions could lead to death, personal injury, and / or property damage.

Failure to follow these instructions could lead to death, personal injury, and / or property damage.

### FASTENERS:

All Westin supplied fasteners must be utilized and installed in accordance with the installation instructions and apply torque to the specifications as defined. **DOUBLE CHECK ALL FASTENERS BEFORE INITIAL USE, AND PERIODICALLY IN THE FUTURE TO ENSURE PROPER FUNCTION AND SAFETY.**

### DRILLING:

Most Westin products do not require drilling for installation. If drilling is defined as required, use caution when drilling a vehicle. **FAILURE TO REVIEW AN AREA TO BE DRILLED MAY RESULT IN PERSONAL INJURY AND/OR INJURY TO OTHERS AS WELL AS VEHICLE DAMAGE.**

### EYE PROTECTION:

**ALWAYS WEAR SAFETY GLASSES OR GOGGLES DURING THE INSTALLATION PROCESS TO AVOID PERSONAL INJURY.**

### MAXIMUM TOWING/CARRYING CAPACITY: (if applicable)

The Westin Receiver Hitches will have a visible tow rating label affixed directly on the product. User should never exceed the vehicle manufacturers maximum tow and weight rating regardless of the capacity of the hitch. **FAILURE TO FOLLOW THESE GUIDELINES WILL VOID THE WESTIN WARRANTY AND MAY RESULT IN PERSONAL INJURY AND/OR INJURY TO OTHERS AS WELL AS VEHICLE DAMAGE.**

### FOR CALIFORNIA RESIDENTS ONLY-PROP 65 WARNING:

Some products may contain chemicals such as DEHP, which can cause cancer, birth defects or other reproductive harm. For more info go to [www.p65warnings.ca.gov](http://www.p65warnings.ca.gov)



Westin Automotive Products, Inc.  
320 W. Covina Blvd  
San Dimas, Ca. 91773