



# INSTALLATION INSTRUCTIONS

## MAX WINCH TRAY/HDX WINCH TRAY GRILLE GUARD

### APPLICATION:

2019 Ram 1500 (Excl. Classic, Rebel)

### PART NUMBER:

46-23975, 57-93975

## PART ONE: MAX WINCH TRAY INSTALLATION ONLY

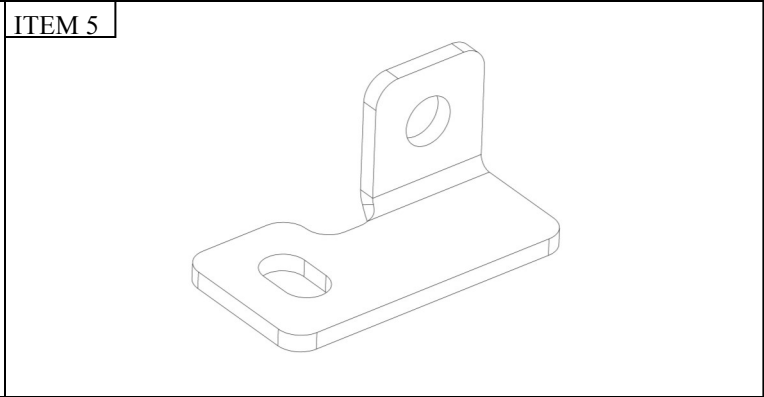
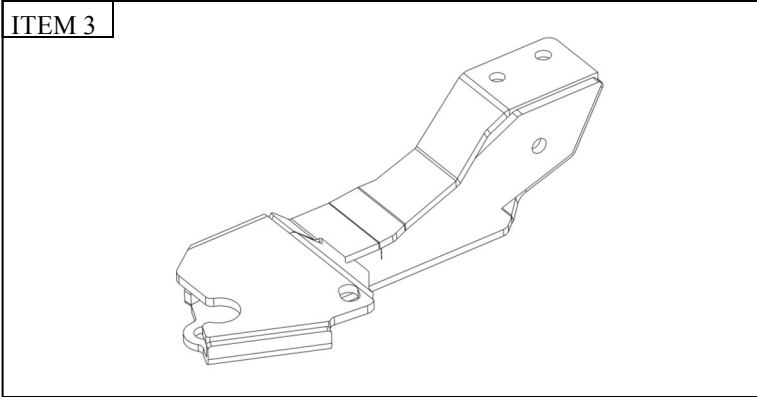
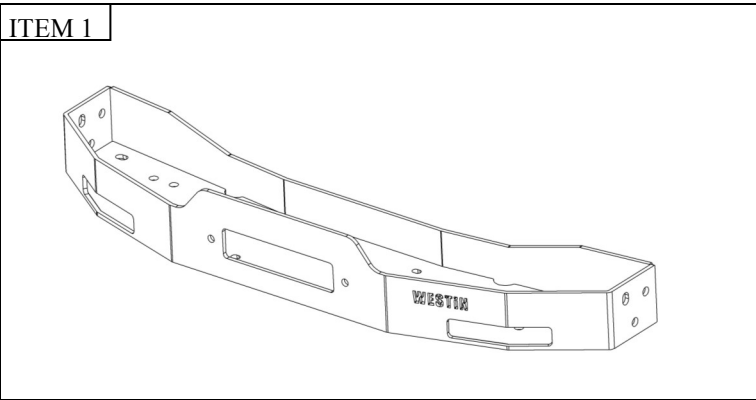
\*See Page 6 for components associated with Grille Guard Install\*

CONTENT			
ITEM	QUANTITY	DESCRIPTION	TOOLS NEEDED
1	1	MAX WINCH TRAY	17MM WRENCH
2	1	DRIVER WINCH TRAY MOUNTING BRACKET	17MM SOCKET
3	1	PASSENGER WINCH TRAY MOUNTING BRACKET	19MM WRENCH
4	1	LOWER DRIVER STRAP	19MM SOCKET
5	1	LOWER PASSENGER STRAP	22MM SOCKET
6	2	M14 HEX HEAD CAP SCREW	HAMMER
7	2	M14 SPLIT LOCK WASHER	RATCHET
8	2	M14 FLAT WASHER	TORQUE WRENCH
9	4	M10 HEX NUT	
10	4	M10 HEX HEAD CAP SCREW	
11	6	M10 FLAT WASHER SMALL	
12	2	M10 FLAT WASHER LARGE	
13	4	M10 SPLIT LOCK WASHER	
14	4	M12 HEX NUT	
15	8	M12 FLAT WASHER	
16	4	M12 SPLIT LOCK WASHER	
17	4	M12 HEX HEAD CAP SCREW	

**ANTI-SEIZE LUBRICANT MUST BE USED ON ALL STAINLESS STEEL FASTENERS TO PREVENT THREAD DAMAGE AND GALLING**

### PROCEDURE

1. Remove contents from box, verify if all parts listed are present and free from damage.  
Carefully read and understand all instructions before attempting installation.  
**Failure to identify damage before installation could lead to a rejection of any claim.**

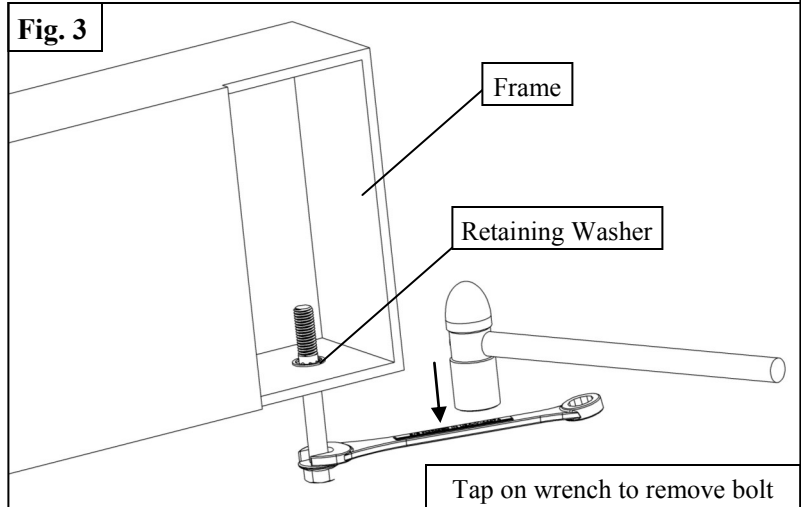
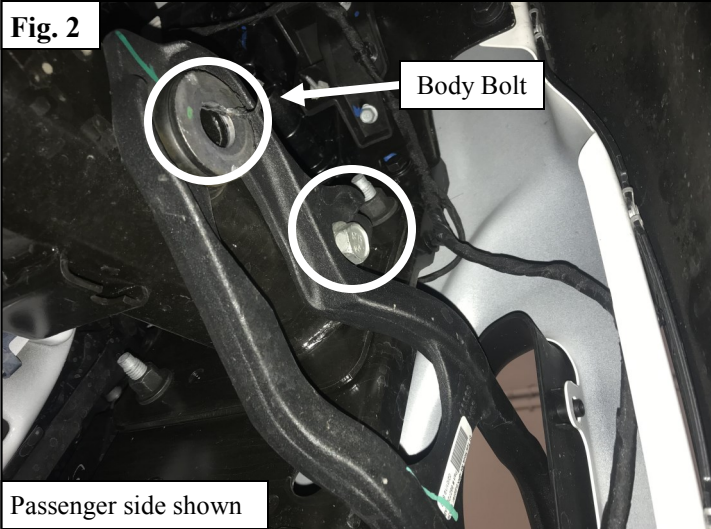


2. If equipped, start by removing the front license plate holder. There are two bolts behind the license plate. **See Figure 1.**  
*Note: The factory license plate holder cannot be re-used. A license plate relocation kit is sold separately.*

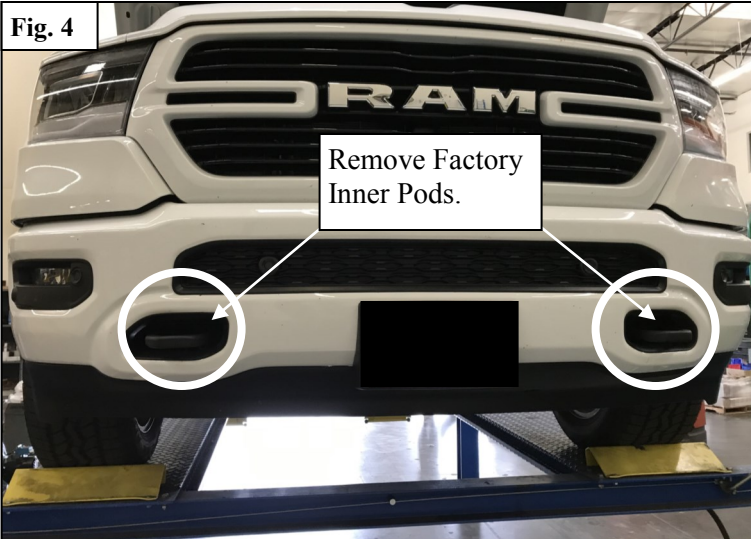


**FACTORY TOW HOOK REMOVAL**  
**Note: This also applies to vehicles without tow hooks.**

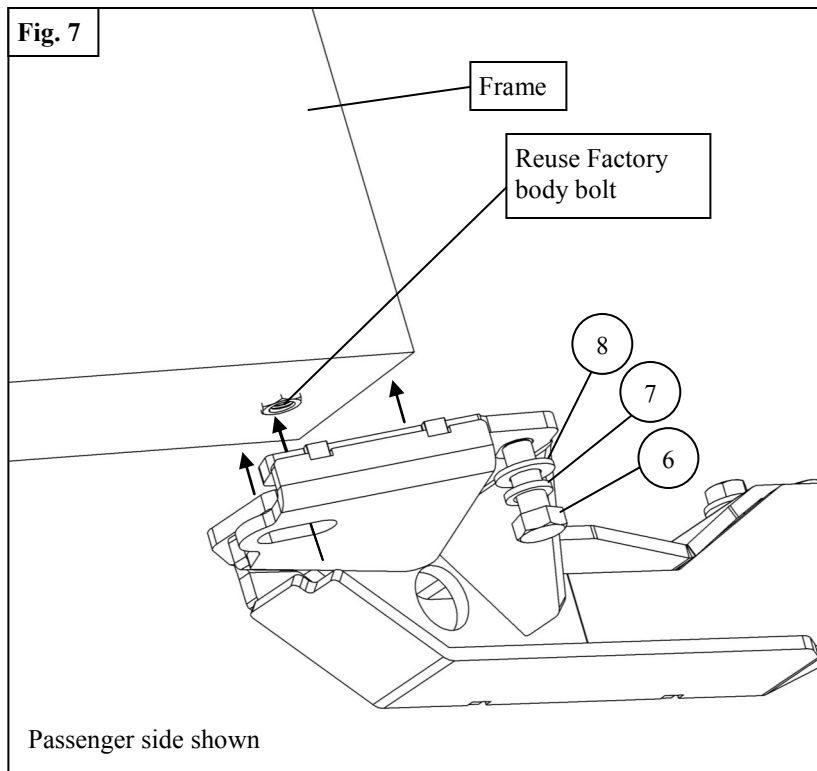
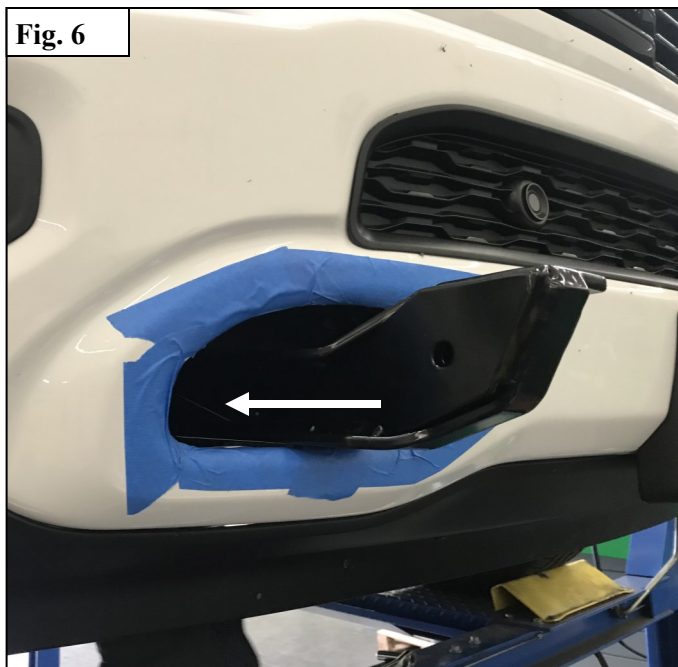
3. Unbolt the two bolts holding the factory tow hooks. These bolt locations are also used for supplied brackets later on.  
*Note: Factory tow hooks cannot be re-used. See Figure 2.*
4. There is a retainer washer inside the frame that holds in the body bolt after loosening it. Using a wrench and a hammer, tap the wrench on the bolt until it falls out. See Figure 3.



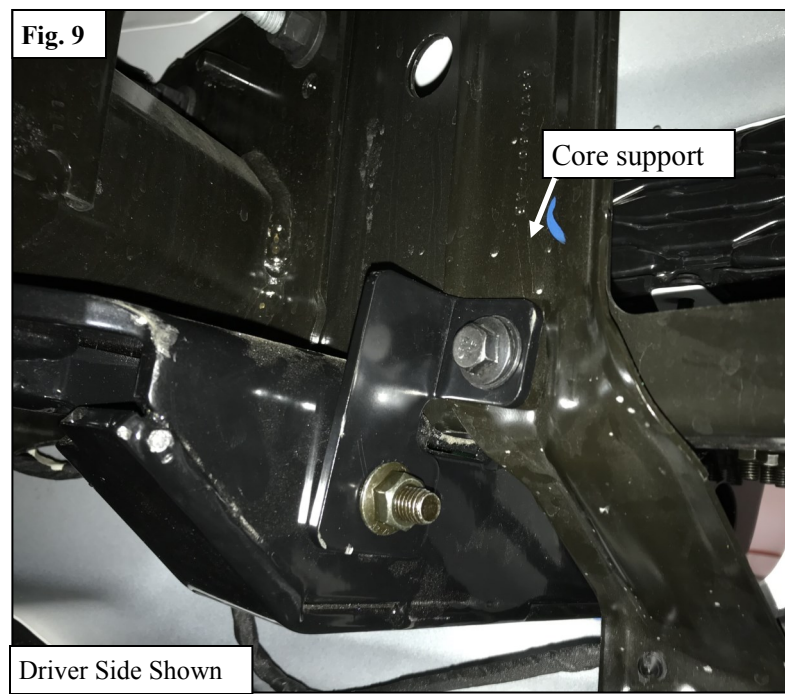
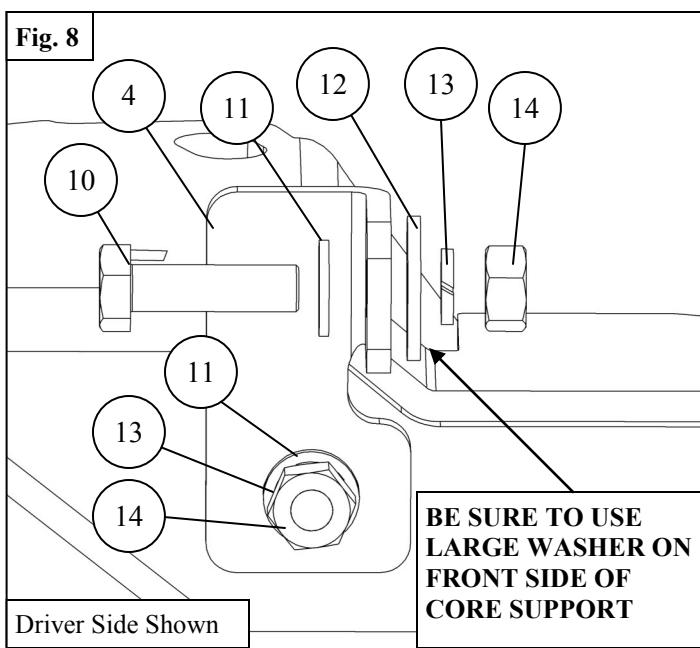
4. Move to the Inner plastic Pods where the factory tow hooks go through. Remove the two nuts on top of the pod. Slide the pod out and repeat on other side. See Figure 4-5.



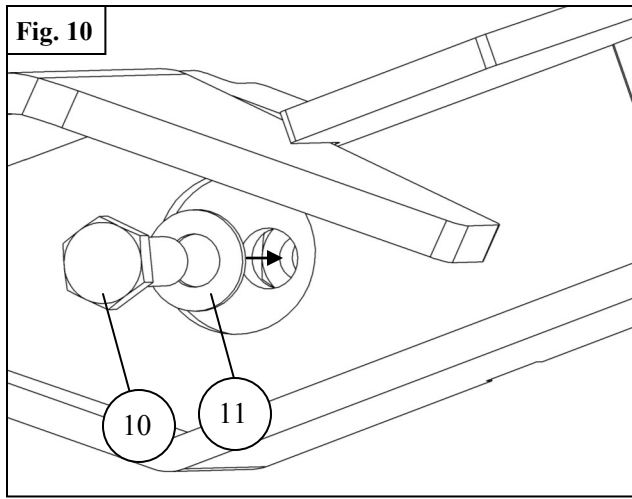
- Slide the Winch Tray Brackets (2, 3) into the exposed holes in the bumper. Using the supplied M14 hardware and factory body bolts, loosely install the brackets into the factory holes (from **Figure 2**) . See **Figure 6**.



- Using the supplied M10 hardware, install the Lower Reinforcement Straps (4, 5) onto the front core support and winch bracket. See **Figure 8-10**.

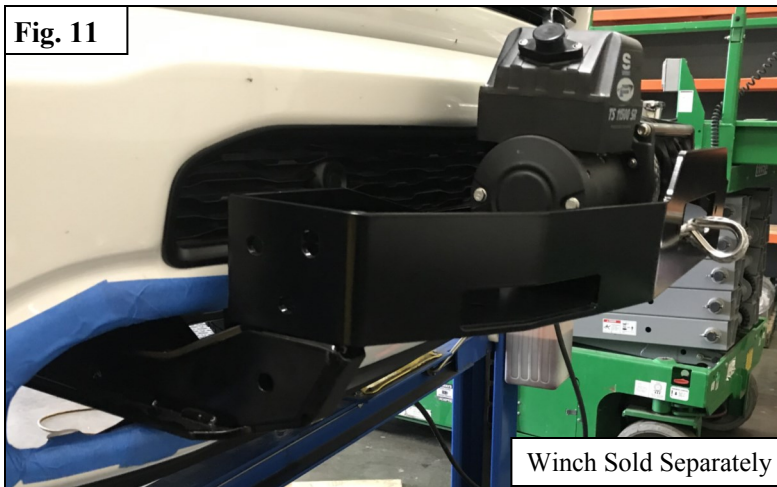


**Fig. 10**

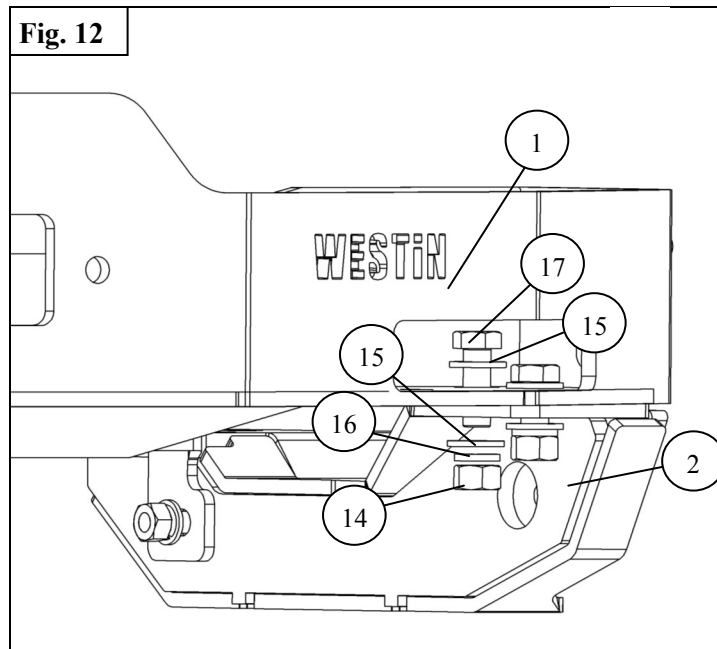


7. Set the Winch Tray (1) on top of the brackets. See Figure 11.
8. Loosely install the Winch Tray using the supplied M12 Hardware . See Figure 12.
9. Adjust winch tray and torque down all hardware to specified ft-lbs: M10 to 35 ft-lbs, M12 to 60 ft-lbs, M14 to 100 ft-lbs.

**Fig. 11**

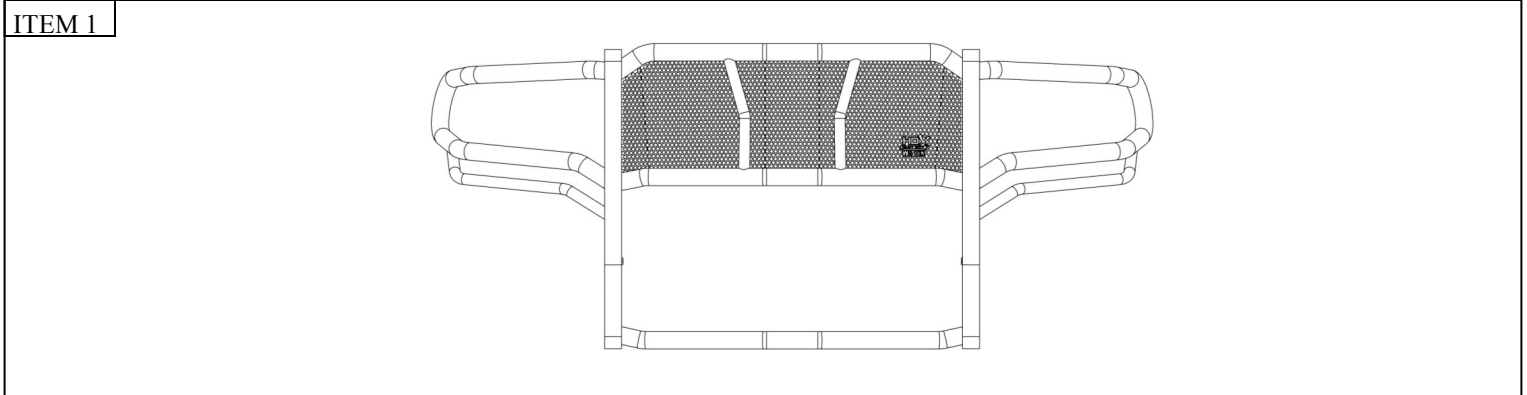


**Fig. 12**



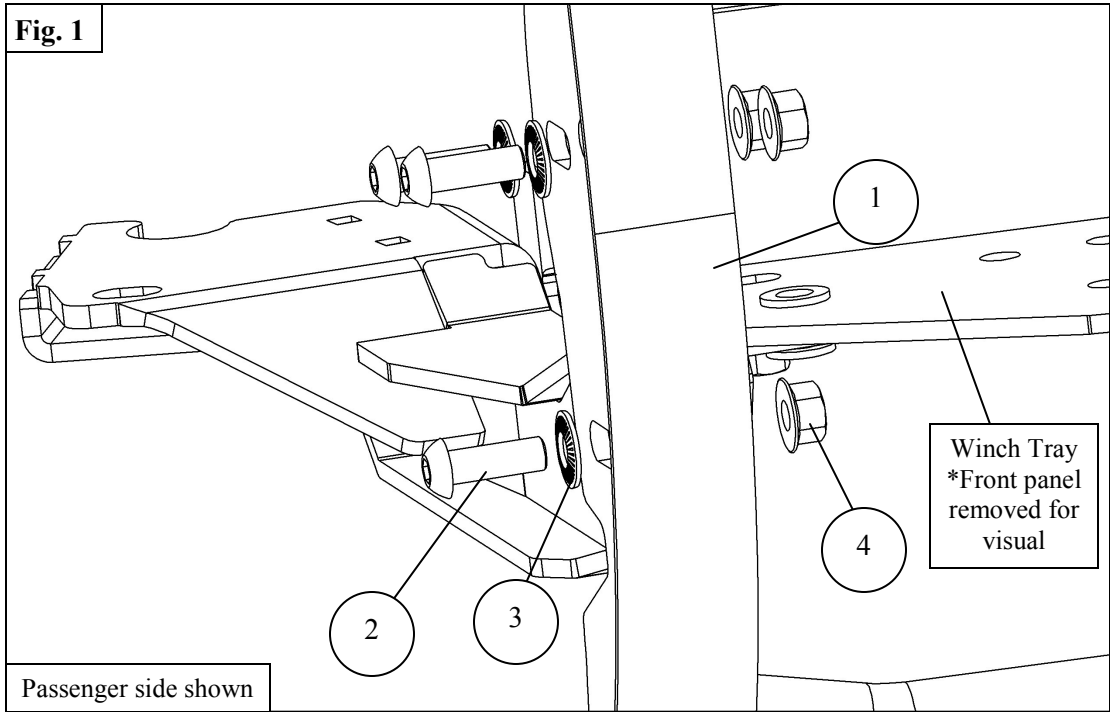
## PART TWO: HDX GRILLE GUARD INSTALLATION ONLY

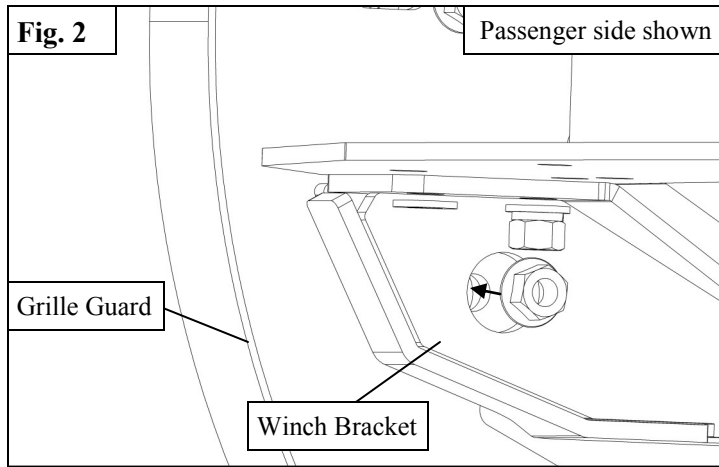
ITEM	QUANTITY	DESCRIPTION	TOOLS NEEDED
1	1	HDX GRILLE GUARD	8MM ALLEN
2	6	M12 HEX SOCKET BUTTON HEAD SCREW	19MM WRENCH
3	6	M12 BELVILLE WASHER	RATCHET
4	6	M12 SERRATED FLANGE NUT	TORQUE WRENCH



### Grille Guard Installation (57-93975 only)

1. Slide the Grille Guard (1) on to the MAX Winch Tray assembly.
2. Loosely install the Grille Guard on to the winch tray and the winch brackets using the supplied M12 Hardware. **See Figure 1-2.**





2. Adjust the bumper and torque down all M12 hardware to 60 ft lbs.

**INSTALLATION COMPLETE**



Winch and tow hooks sold separately

**CARE INSTRUCTIONS**

- REGULAR WAXING IS RECOMMENDED. DO NOT USE ANY TYPE OF POLISH OR WAX THAT MAY CONTAIN ABRASIVES.
- STAINLESS STEEL PRODUCTS CAN BE CLEANED WITH MILD SOAP AND WATER. STAINLESS STEEL POLISH SHOULD BE USED TO POLISH SMALL SCRATCHES.
- GLOSS BLACK FINISHES SHOULD BE CLEANED WITH MILD SOAP AND WATER.

**WESTIN** Westin Automotive Products, Inc.  
320 W. Covina Blvd  
San Dimas, Ca. 91773

Thank you for choosing Westin products  
for additional installation assistance please call  
Customer Service (800) 793-7846

[www.westinautomotive.com](http://www.westinautomotive.com)



## WARNING



Failure to follow these instructions could lead to death, personal injury, and / or property damage.

Failure to follow these instructions could lead to death, personal injury, and / or property damage.

### FASTENERS:

All Westin supplied fasteners must be utilized and installed in accordance with the installation instructions and apply torque to the specifications as defined. **DOUBLE CHECK ALL FASTENERS BEFORE INITIAL USE, AND PERIODICALLY IN THE FUTURE TO ENSURE PROPER FUNCTION AND SAFETY.**

### DRILLING:

Most Westin products do not require drilling for installation. If drilling is defined as required, use caution when drilling a vehicle. **FAILURE TO REVIEW AN AREA TO BE DRILLED MAY RESULT IN PERSONAL INJURY AND/OR INJURY TO OTHERS AS WELL AS VEHICLE DAMAGE.**

### EYE PROTECTION:

**ALWAYS WEAR SAFETY GLASSES OR GOGGLES DURING THE INSTALLATION PROCESS TO AVOID PERSONAL INJURY.**

### MAXIMUM TOWING/CARRYING CAPACITY: (if applicable)

The Westin Receiver Hitches will have a visible tow rating label affixed directly on the product. User should never exceed the vehicle manufacturers maximum tow and weight rating regardless of the capacity of the hitch. **FAILURE TO FOLLOW THESE GUIDELINES WILL VOID THE WESTIN WARRANTY AND MAY RESULT IN PERSONAL INJURY AND/OR INJURY TO OTHERS AS WELL AS VEHICLE DAMAGE.**

### FOR CALIFORNIA RESIDENTS ONLY-PROP 65 WARNING:

Some products may contain chemicals such as DEHP, which can cause cancer, birth defects or other reproductive harm. For more info go to [www.p65warnings.ca.gov](http://www.p65warnings.ca.gov)



Westin Automotive Products, Inc.  
320 W. Covina Blvd  
San Dimas, Ca. 91773