

INSTALLATION INSTRUCTIONS

OUTLAW NERF STEP BARS



APPLICATION:

2009-2018 Ram 1500 Crew Cab; 2019 Ram 1500 Classic Crew Cab; 2010-2019 Ram 2500/3500 Crew Cab (Old Body style)

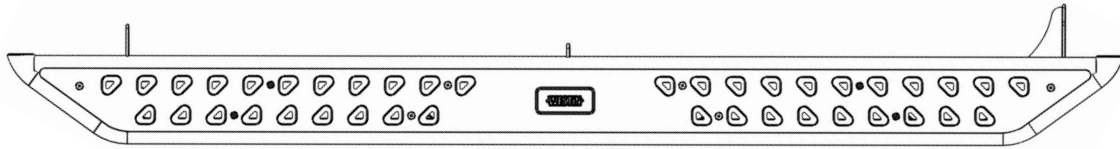
PART NUMBER:

58-53565

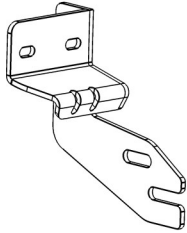
CONTENT			
ITEM	QUANTITY	DESCRIPTION	TOOLS NEEDED
1	1	DRIVER STEP BAR ASSEMBLY	10MM SOCKET
2	1	PASSENGER STEP BAR ASSEMBLY	10MM WRENCH
3	1	DRIVER FRONT MOUNTING BRACKET	13MM SOCKET
4	1	PASSENGER FRONT MOUNTING BRACKET	13MM WRENCH
5	1	DRIVER CENTER MOUNTING BRACKET	16MM SOCKET
6	1	PASSENGER CENTER MOUNTING BRACKET	16MM WRENCH
7	1	DRIVER REAR MOUNTING BRACKET	ALLEN WRENCH
8	1	PASSENGER REAR MOUNTING BRACKET	RATCHET
9	6	BOLT/NUT PLATE	TORQUE WRENCH
10	6	M8 HEX RIV-CERT	
11	6	M10 HEX NUT	
12	6	M10 SPLIT LOCK WASHER	
13	6	M10 FLAT WASHER	
14	12	M8 HEX HEAD CAP SCREW	
15	12	M8 SPLIT LOCK WASHER	
16	12	M8 FLAT WASHER	
17	2	M6 BUTTON HEAD BOLT	
18	2	M6 SERRATED FLANGE NUT	
19	2	M6 FLAT WASHER	
20	6	M10 PLASTIC RETAINER SQUARE	
21	12	M10 HEX HEAD CAP SCREW	
22	12	M10 BELLVILLE WASHER	
23	12	M10 SERRATED FLANGE NUT	

ANTI-SEIZE LUBRICANT MUST BE USED ON ALL STAINLESS STEEL FASTENERS TO PREVENT THREAD DAMAGE AND GALLING

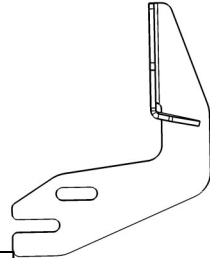
Passenger Side Opposite



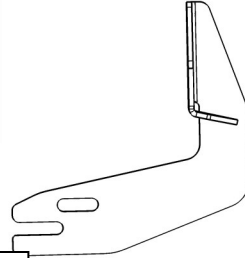
ITEM 1



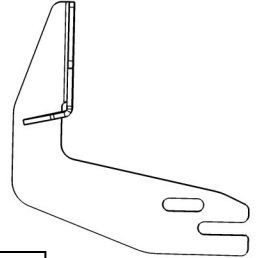
ITEM 3



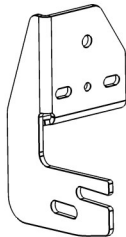
ITEM 4



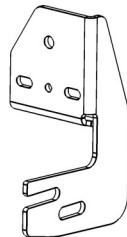
ITEM 5



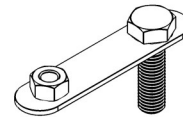
ITEM 6



ITEM 7



ITEM 8

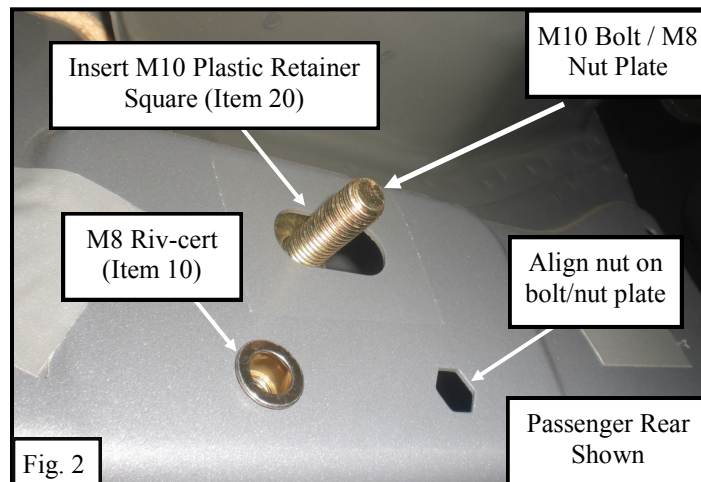
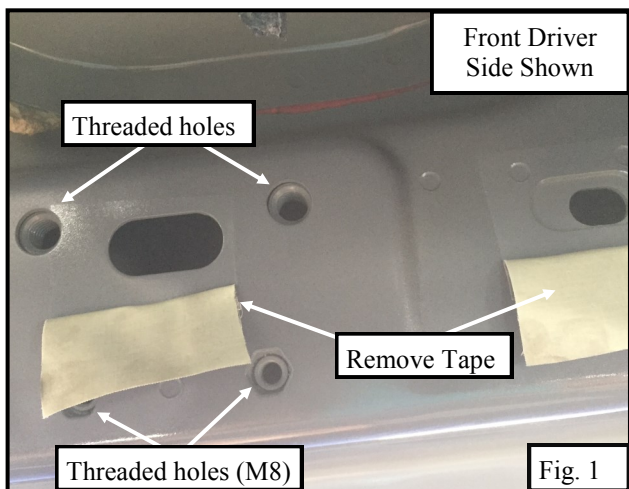


ITEM 9

PROCEDURE

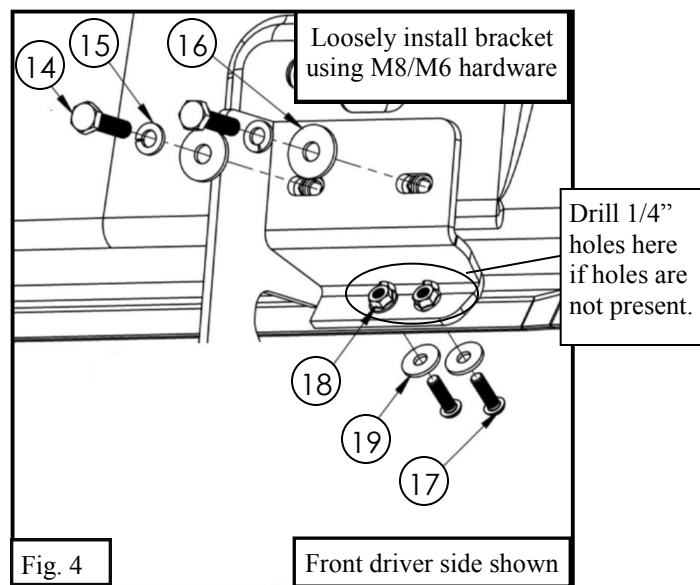
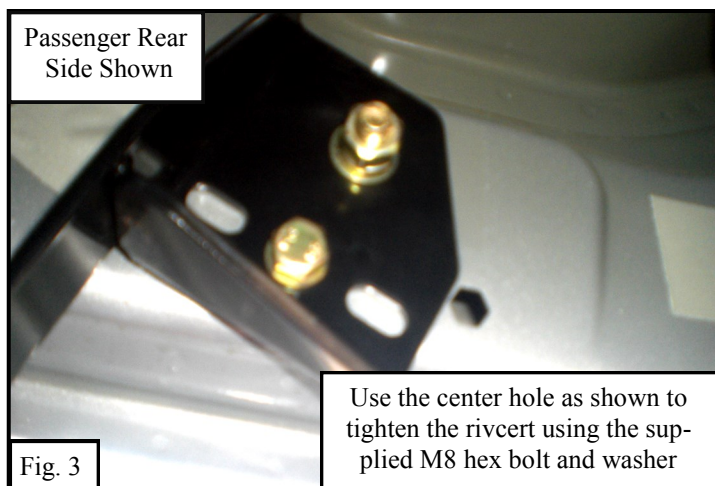
1. Remove contents from box, verify if all parts listed are present and free from damage.
Carefully read and understand all instructions before attempting installation.
Failure to identify damage before installation could lead to a rejection of any claim.

2. Check either side of the vehicles rocker panel, locate the factory holes in the rocker panel by removing the tape. If your vehicle has threaded holes as shown in **Figure 1**, do not use the provided M8 Rivcerts (10).
3. If threaded holes are not present use (1) M8 rivcerts (item 10) and insert one into the either hex hole. Insert the M10 Bolt / M8 Nut Plate (not used for driver front bracket) as shown. See **Figure 2**. *Note: See Figure 3 for instructions on how to properly install the M8 rivcert using the mounting bracket.*

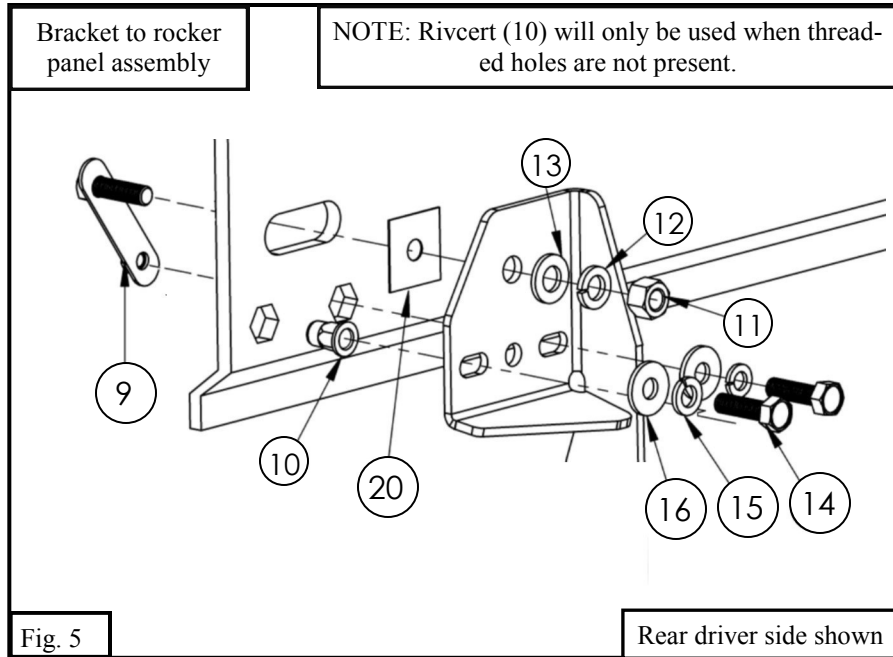


If factory threaded holes are present, do not align the nut on the bolt/nut plate. The threaded hole will be used instead of the nut.

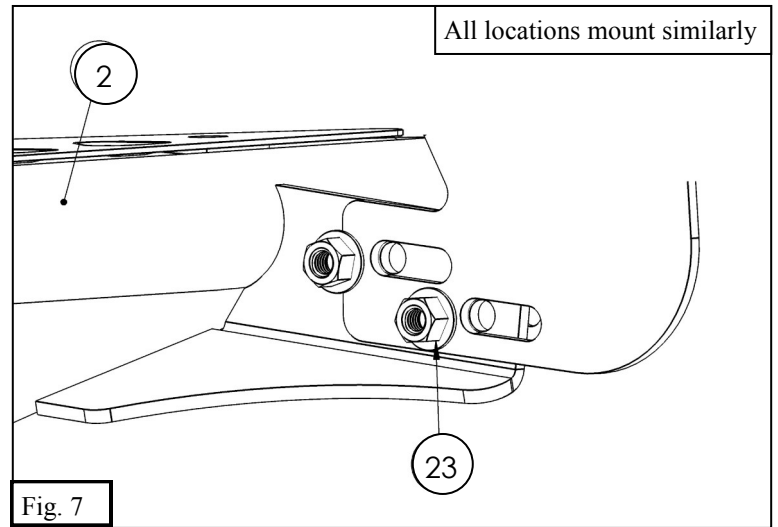
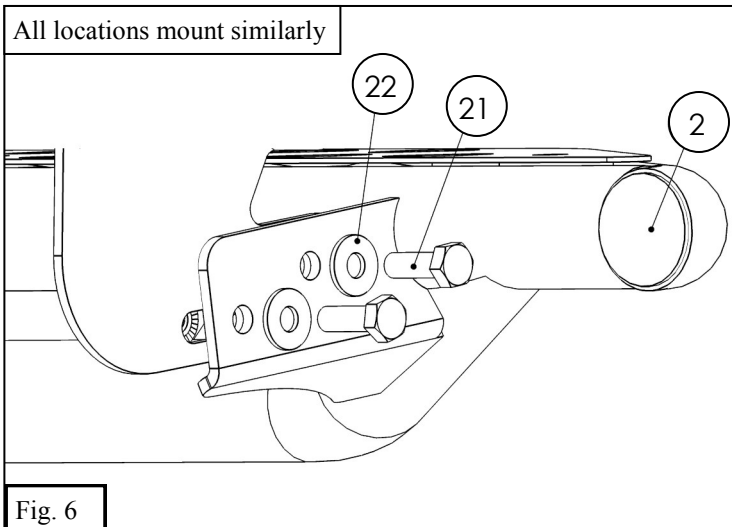
4. Proceed to install the driver front mounting bracket (Item 3) onto the rocker panel by using (2) M8 hex cap screws, (2) M8 lock washers, (2) M8 flat washers. For the pinch weld, attach bracket (item 3) by using the provided black zinc M6 hardware. *Note: Drilling of two 1/4" holes might be necessary on pinch weld if factory holes are not present. Before drilling place masking tape on drill surface to prevent paint chipping.)* See **Figure 4**.



5. Loosely secure driver side center and rear mounting brackets (5-8) to the rocker panel in the center and rear mounting locations by using (2) Long M8 Hex bolts, (2) M8 Lock Washers, (2) M8 Flat washers, (1) M10 flat washer, (1) M10 lock washer, and (1) M10 Hex nut. Leave everything loose at this time. See **Figure 5**. Note: Passenger Front installs similarly.

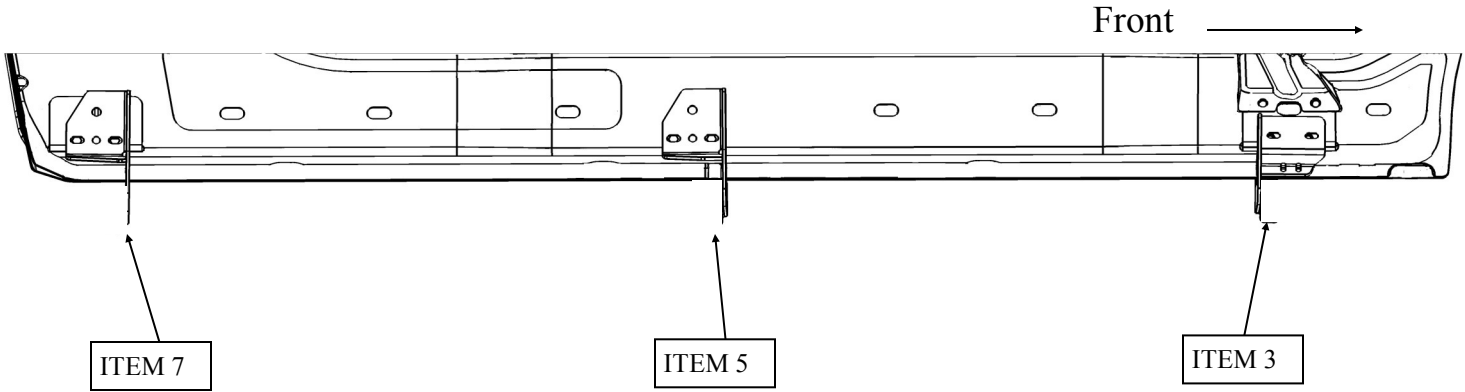


6. For Step Board installation to the previously installed mounting brackets use the supplied short M10 bolts and M10 hardware. See **Figures 6 & 7**.
7. Align step bar and brackets to desired positioning then torque and tighten all: M8 to 20 ft-lbs, M10 to 38 ft-lbs.

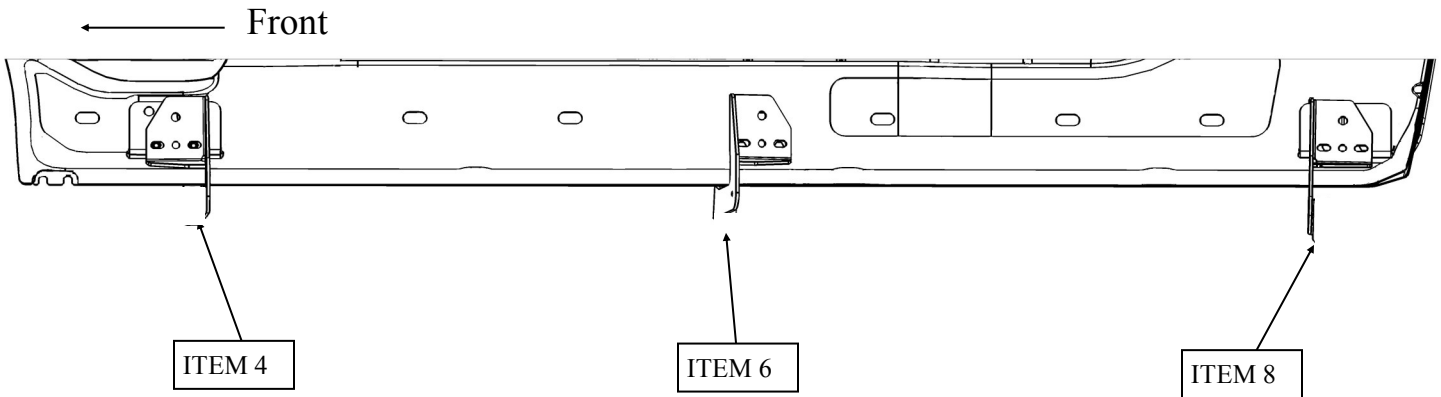


Rocker Panel Positions for Each Bracket
Refer to rest of procedure for details.

Driver Side Rocker Panel



Passenger Side Rocker Panel



INSTALLATION COMPLETE



CARE INSTRUCTIONS

- REGULAR WAXING IS RECOMMENDED. DO NOT USE ANY TYPE OF POLISH OR WAX THAT MAY CONTAIN ABRASIVES.
- STAINLESS STEEL PRODUCTS CAN BE CLEANED WITH MILD SOAP AND WATER. STAINLESS STEEL POLISH SHOULD BE USED TO POLISH SMALL SCRATCHES.
- GLOSS BLACK FINISHES SHOULD BE CLEANED WITH MILD SOAP AND WATER

WESTIN

Westin Automotive Products, Inc.
320 W. Covina Blvd
San Dimas, Ca. 91773

Thank you for choosing Westin products
for additional installation assistance please call
Customer Service (800) 793-7846

www.westinautomotive.com



WARNING



Failure to follow these instructions could lead to death, personal injury, and / or property damage.

Failure to follow these instructions could lead to death, personal injury, and / or property damage.

FASTENERS:

All Westin supplied fasteners must be utilized and installed in accordance with the installation instructions and apply torque to the specifications as defined. **DOUBLE CHECK ALL FASTENERS BEFORE INITIAL USE, AND PERIODICALLY IN THE FUTURE TO ENSURE PROPER FUNCTION AND SAFETY.**

DRILLING:

Most Westin products do not require drilling for installation. If drilling is defined as required, use caution when drilling a vehicle. **FAILURE TO REVIEW AN AREA TO BE DRILLED MAY RESULT IN PERSONAL INJURY AND/OR INJURY TO OTHERS AS WELL AS VEHICLE DAMAGE.**

EYE PROTECTION:

ALWAYS WEAR SAFETY GLASSES OR GOGGLES DURING THE INSTALLATION PROCESS TO AVOID PERSONAL INJURY.

MAXIMUM TOWING/CARRYING CAPACITY: (if applicable)

The Westin Receiver Hitches will have a visible tow rating label affixed directly on the product. User should never exceed the vehicle manufacturers maximum tow and weight rating regardless of the capacity of the hitch. **FAILURE TO FOLLOW THESE GUIDELINES WILL VOID THE WESTIN WARRANTY AND MAY RESULT IN PERSONAL INJURY AND/OR INJURY TO OTHERS AS WELL AS VEHICLE DAMAGE.**

FOR CALIFORNIA RESIDENTS ONLY-PROP 65 WARNING:

Some products may contain chemicals such as DEHP, which can cause cancer, birth defects or other reproductive harm. For more info go to www.p65warnings.ca.gov



Westin Automotive Products, Inc.
320 W. Covina Blvd
San Dimas, Ca. 91773