

# INSTALLATION INSTRUCTIONS

## REAR INNER FENDERS

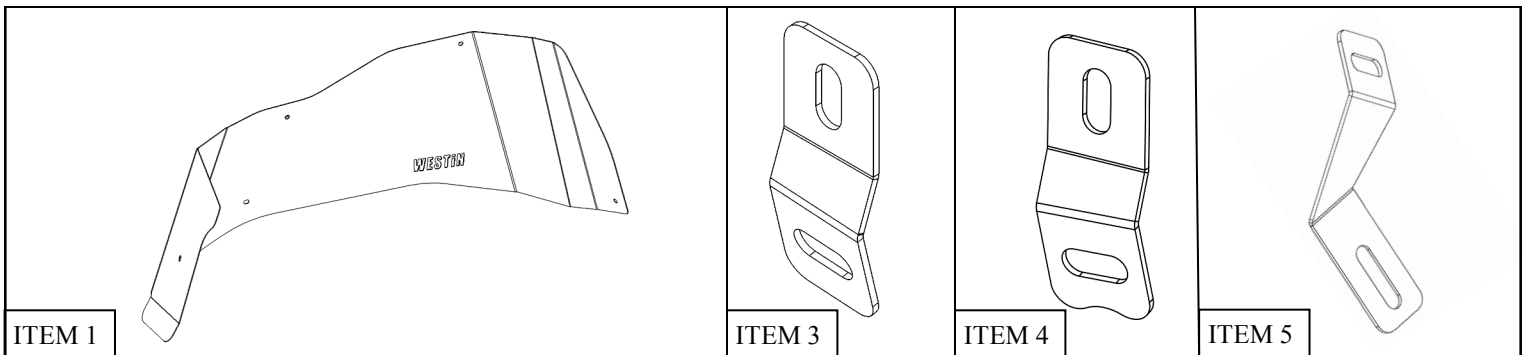


**APPLICATION:**  
2007-2018 Jeep Wrangler JK (Excl. JL)  
**PART NUMBER:**  
62-11015

**\*SOME APPLICATIONS MAY REQUIRE DRILLING**

CONTENT			
ITEM	QUANTITY	DESCRIPTION	TOOLS NEEDED
1,2	2	REAR INNER FENDER ASSEMBLY, DRIVER (1) AND PASSENGER (2)	10MM SOCKET
3,4	2	FRONT MOUNTING BRACKET, DRIVER (3) AND PASSENGER (4)	10MM WRENCH
5,6	2	REAR MOUNTING BRACKET, DRIVER (5) AND PASSENGER (6)	ALLEN WRENCH
7	4	M6 SERRATED FLANGE NUT (BLACK ZINC)	RATCHET
8	4	SHORT M6 HEX HEAD CAP SCREW (BLACK ZINC)	TORQUE WRENCH
9	4	SHORT M6 BUTTON HEAD SCREW (BLACK ZINC)	DRILL MOTOR
10	6	LONG M6 BUTTON HEAD SCREW (BLACK ZINC)	
11	14	M6 FLAT WASHER (BLACK ZINC)	
12	14	M6 SPLIT LOCK WASHER (BLACK ZINC)	
13	10	M6 U-CLIP	
14	2	M6 SPLINED RIVCERT	
15	1	LONG M6 HEX HEAD CAP SCREW (YELLOW ZINC)	
16	1	M6 RIVCERT TOOL	
17	1	M6 FLAT WASHER (YELLOW ZINC)	

**ANTI-SEIZE LUBRICANT MUST BE USED ON ALL STAINLESS STEEL FASTENERS TO PREVENT THREAD DAMAGE AND GALLING**



### WARNING

Part # 62-11015 is designed to specifically fit with Westin Tube Fenders (Part # 62-1015). If reusing the factory fenders, **excessive** modification the factory parts is required. Modification may also be required for other aftermarket fenders

## PROCEDURE

1. Remove contents from box, verify if all parts listed are present and free from damage.  
Carefully read and understand all instructions before attempting installation.  
**Failure to identify damage before installation could lead to a rejection of any claim.**

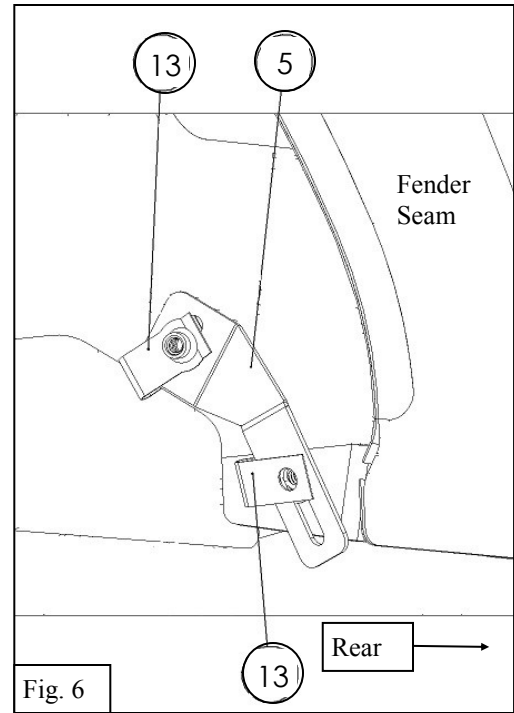
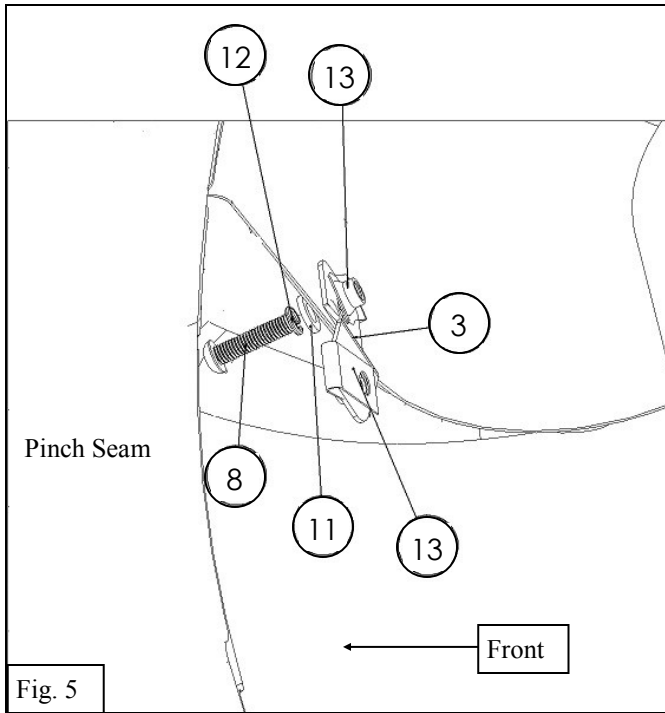
2. Begin by removing the factory fender flares (if equipped).
3. First remove the tree clips holding the fender/fender liner in place. See **Figures 1 & 2.**



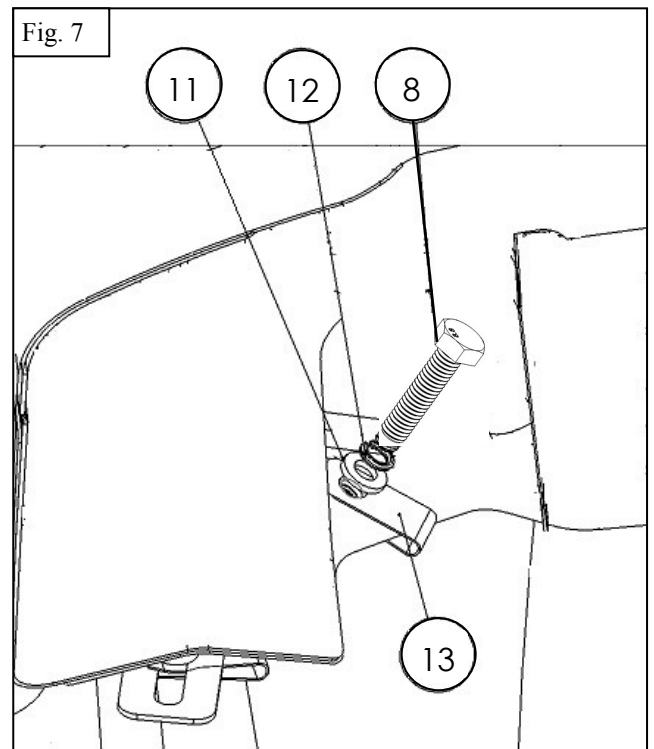
4. Remove the fender and fender liner as one piece. See **Figure 3.**
5. Remove all of the plastic retainer clips from the quarter panel.
6. Begin the Rear Inner Fender installation on the driver's side of the vehicle by installing a U-Clip (13) to the hole shown in **Figure 4.**



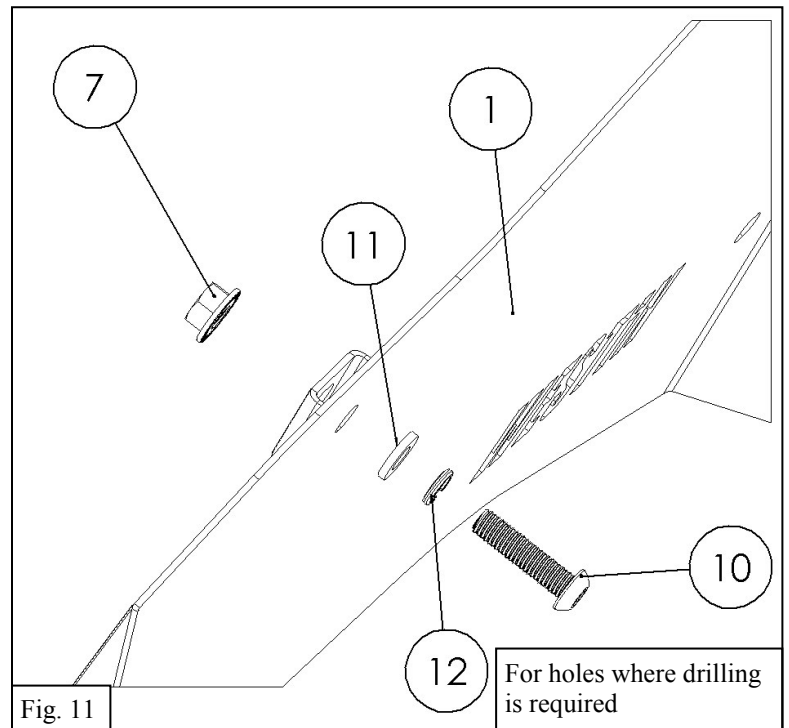
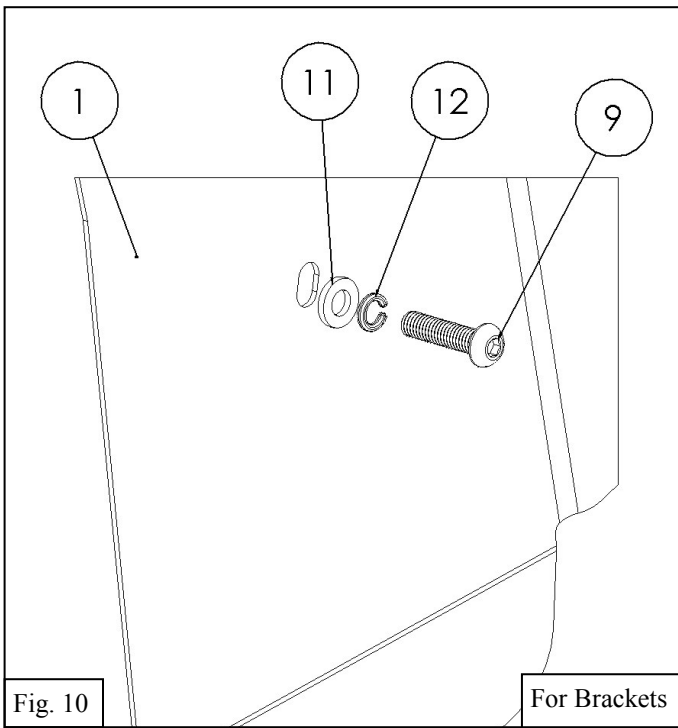
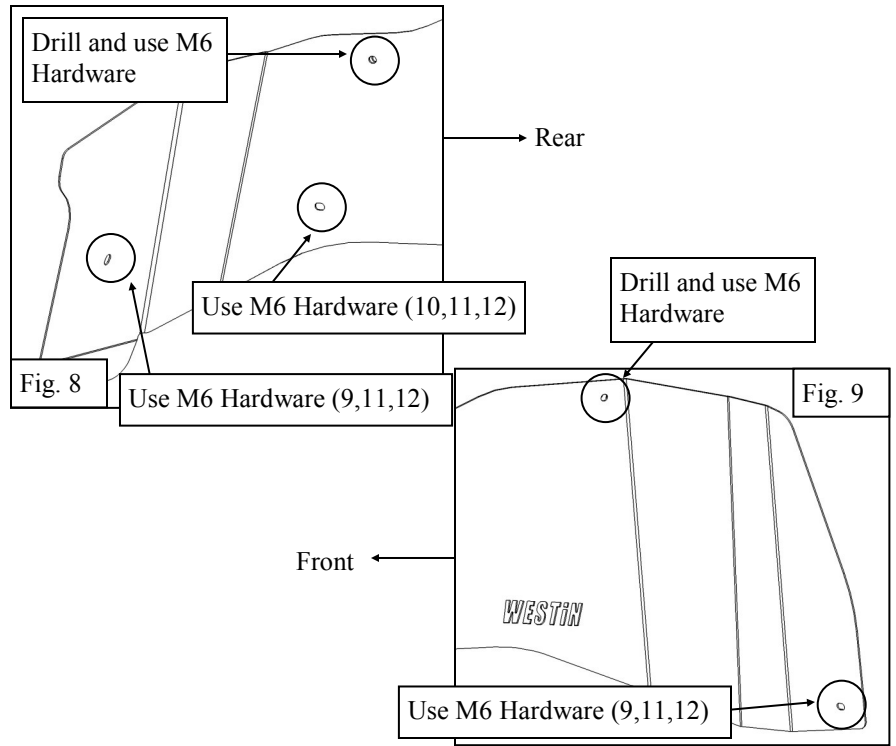
7. Attach a M6 U-clip (13) to each end of the Front Mounting Bracket (3) and loosely install to the inside of the wheel well using the supplied M6 hardware (8,11,12). See **Figures 5 & 12**.
8. Attach a M6 U-clip (13) to each end of the Rear Mounting Bracket (5) and loosely install to the inside of the wheel well using the supplied M6 hardware (8,11,12). See **Figures 6, 7, & 12**. *Note: If there is no access behind the wheel well for the M6 Bolt, install an M6 Rivcert and attach the bracket using M6 Hardware. See Optional Rivcert Instructions on **Page 5**.*



9. Next, install the Inner Fender (1) and line it up with the mounting brackets and U-Clip on the body of the vehicle. **Note:** It is necessary to bend the rear inner fender in order to place it inside of the wheel well. Removing the tire may make installation easier.

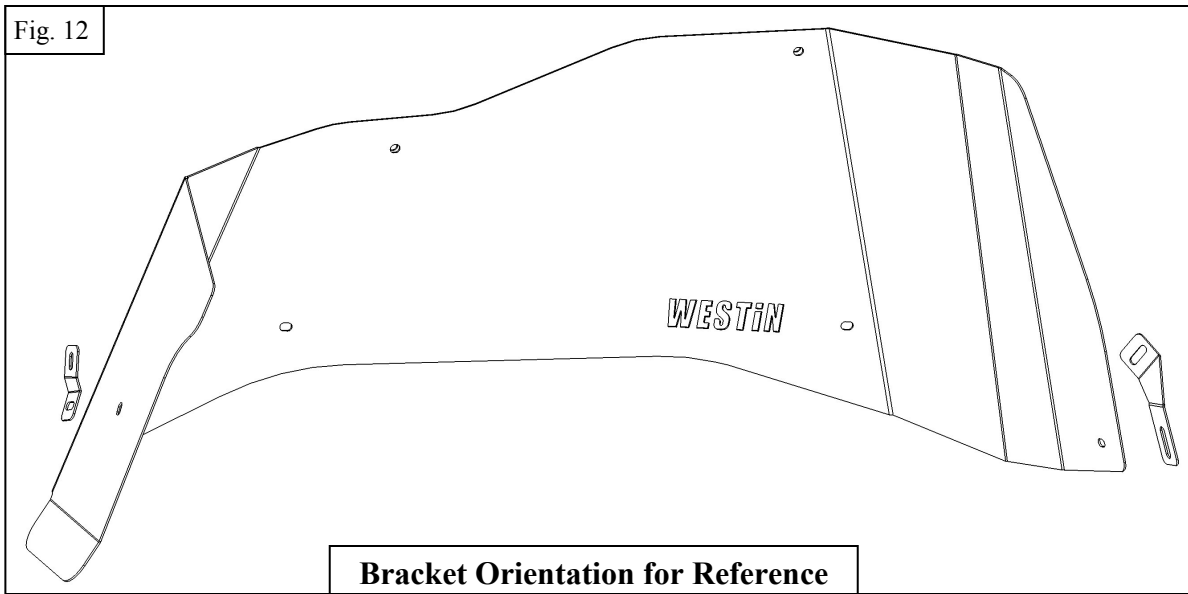


10. Secure with the provided M6 Hardware.  
**Note:** Make sure that the top of the Rear Inner Fender is pressed up against the back of the wheel well. Use Short M6 Button Head Screws (9) to attach rear inner fender to brackets. See **Figures 8 & 9**. See **Figures 10 & 11** for M6 hardware model.



11. Drill two 1/4" holes in the wheel well at the location of the top two holes in the Rear Inner Fender. See **Figures 8 & 9**.
12. The holes that are drilled will receive a Serrated Flange Nut (7). To access this area, peel back the carpeting where the rear roll bar meets the tub of the vehicle. **Note:** Drilling location will be determined after the Inner Fender is secured in place. This will serve as a template for drilling. See **Figure 11**.
13. Tighten all M6 Hardware to 5-8 lb-ft.
14. Reinstall the trimmed OEM Fender or Aftermarket Fender.
15. Repeat **Steps 2-14** on the passenger side of the vehicle.

Fig. 12



Bracket Orientation for Reference

**OPTIONAL RIVERT INSTALLATION**

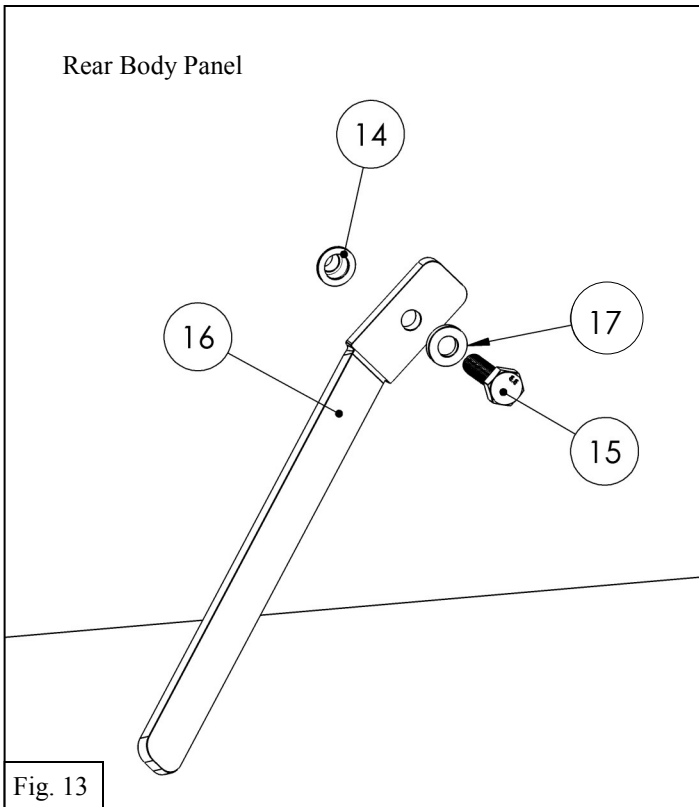


Fig. 13

Install Rivcert by using the Rivcert Tool (16) along with the Long M6 Hex Bolt (15) and an M6 Flat Washer (11). This installs in the same location as the hardware in **Figure 7**. Tighten the Hex Bolt until the Rivcert (14) is completely seated.

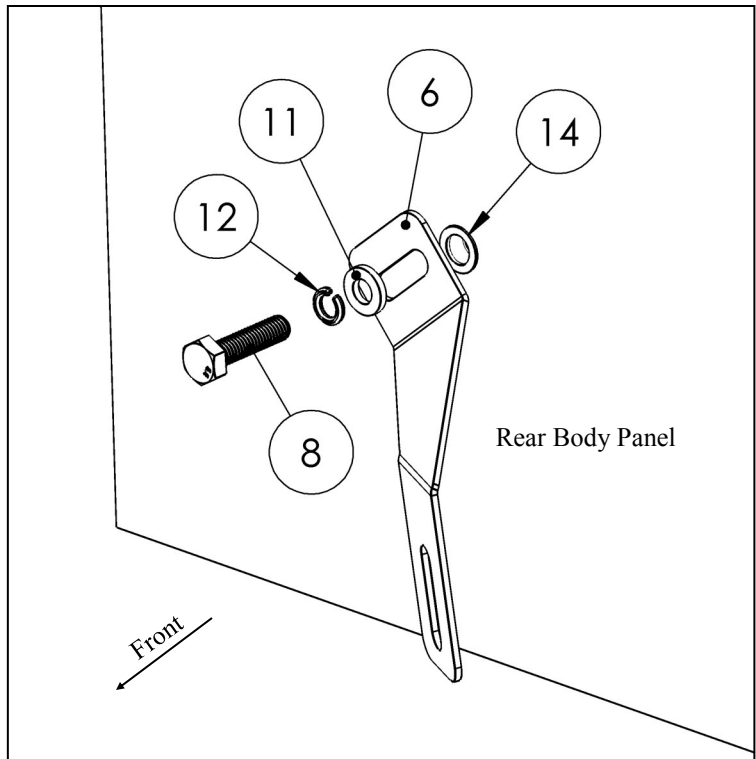


Fig. 14

Driver Side Shown

Rear Mounting Bracket will install as shown.

## INSTALLATION COMPLETE



©2018 WESTIN AUTOMOTIVE PRODUCTS, INC. ALL RIGHTS RESERVED.

### CARE INSTRUCTIONS

- REGULAR WAXING IS RECOMMENDED. DO NOT USE ANY TYPE OF POLISH OR WAX THAT MAY CONTAIN ABRASIVES
- STAINLESS STEEL PRODUCTS CAN BE CLEANED WITH MILD SOAP AND WATER. STAINLESS STEEL POLISH SHOULD BE USED TO POLISH SMALL SCRATCHES.
- GLOSS BLACK FINISHES SHOULD BE CLEANED WITH MILD SOAP AND WATER

**WESTIN**

Westin Automotive Products, Inc.  
320 W. Covina Blvd  
San Dimas, Ca. 91773

Thank you for choosing Westin products  
for additional installation assistance please call  
Customer Service (800) 793-7846

[www.westinautomotive.com](http://www.westinautomotive.com)



## WARNING



Failure to follow these instructions could lead to death, personal injury, and / or property damage.

Failure to follow these instructions could lead to death, personal injury, and / or property damage.

### FASTENERS:

All Westin supplied fasteners must be utilized and installed in accordance with the installation instructions and apply torque to the specifications as defined. **DOUBLE CHECK ALL FASTENERS BEFORE INITIAL USE, AND PERIODICALLY IN THE FUTURE TO ENSURE PROPER FUNCTION AND SAFETY.**

### DRILLING:

Most Westin products do not require drilling for installation. If drilling is defined as required, use caution when drilling a vehicle. **FAILURE TO REVIEW AN AREA TO BE DRILLED MAY RESULT IN PERSONAL INJURY AND/OR INJURY TO OTHERS AS WELL AS VEHICLE DAMAGE.**

### EYE PROTECTION:

**ALWAYS WEAR SAFETY GLASSES OR GOGGLES DURING THE INSTALLATION PROCESS TO AVOID PERSONAL INJURY.**

### MAXIMUM TOWING/CARRYING CAPACITY: (if applicable)

The Westin Receiver Hitches will have a visible tow rating label affixed directly on the product. User should never exceed the vehicle manufacturers maximum tow and weight rating regardless of the capacity of the hitch. **FAILURE TO FOLLOW THESE GUIDELINES WILL VOID THE WESTIN WARRANTY AND MAY RESULT IN PERSONAL INJURY AND/OR INJURY TO OTHERS AS WELL AS VEHICLE DAMAGE.**

### FOR CALIFORNIA RESIDENTS ONLY-PROP 65 WARNING:

Some products may contain chemicals such as DEHP, which can cause cancer, birth defects or other reproductive harm. For more info go to [www.p65warnings.ca.gov](http://www.p65warnings.ca.gov)



Westin Automotive Products, Inc.  
320 W. Covina Blvd  
San Dimas, Ca. 91773