

Owner's Manual with Installation Instructions

Banks High-Flow Boost Tubes

2010-2012 Dodge Ram 6.7

THIS MANUAL IS FOR USE WITH
PART NUMBERS 25964, 25965, 25997 & 25998

Gale Banks Engineering
546 Duggan Avenue • Azusa, CA 91702
(626) 969-9600 • Fax (626) 334-1743

Product Information & Sales: (888) 635-4565
Customer Support: (888) 839-5600
Installation Support: (888) 839-2700

bankspower.com

A large, stylized, grey Banks logo is positioned diagonally in the bottom right corner of the page.

General Installation Practices

Dear Customer,

If you have any questions concerning the installation of your Banks Techni-Cooler, please call our Technical Service Hotline at (888) 839-2700 between 7:00 am and 4:00 pm (PT). If you have any questions relating to shipping or billing, please contact our Customer Service Department at (888) 839-5600.

Thank you.

- 1.** Before starting work, familiarize yourself with the installation procedure by reading all of the instructions.
- 2.** Throughout this manual, the left side of the vehicle refers to the driver's side, and the right side to the passenger's side.
- 3.** Disconnect the negative (ground) cable from the battery (or batteries, if there are two) before beginning work.
- 4.** Route and tie wires and hoses a minimum of 6" away from exhaust heat, moving parts and sharp edges. Clearance of 8" or more is recommended where possible.
- 5.** When raising the vehicle, support it on properly weight-rated safety stands, ramps or a commercial hoist. Follow the manufacturer's safety precautions. Take care to balance the vehicle to prevent it from slipping or falling. When using ramps, be sure the front wheels are centered squarely on the topsides. When raising the front of the vehicle, put the transmission in park (automatic) or reverse (manual), set the parking brake, and block the rear wheels. When raising the back of the vehicle, be sure the vehicle is on level ground and the front wheels are blocked securely.

Caution! Do not use floor jacks to support the vehicle while working under it. Do not raise the vehicle onto concrete blocks, masonry or any other item not intended specifically for this use.

6. During installation, keep the work area clean. Do not allow anything to be dropped into intake, exhaust, or lubrication system components while performing the installation, as foreign objects will cause immediate engine damage upon start-up.

Tools Required:

- 3/8" Drive ratchet with sockets
- 8mm or 5/16" nut driver
- Jack and jack stands

Highly Recommended:

- Foot-pound torque wrench
- Inch-pound torque wrench

Table of Contents

1. General Install Practices	2
3. Disclaimer of Liability/ Warranty	4
3. Section 1 General Assembly	5
4. Section 2 Remove Air Cleaner Box.....	7
5. Section 3 Intercooler and A/C Condenser Removal.....	8
6. Section 4 Driver Side Boost Tube Installation	10
7. Section 5 Passenger Side Boost Tube Installation	11
8. Section 6 Installation of Intercooler and A/C Condensor	12
9. Section 7 Install Air Box.....	13

Disclaimer of Liability & Warranty

Gale Banks Engineering Inc., and its distributors, employees, and dealers (hereafter "SELLER") shall in no way be responsible for the product's proper use and service. The BUYER hereby waives all liability claims.

The BUYER acknowledges that he/ she is not relying on the SELLER's skill or judgment to select or furnish goods suitable for any particular purpose and that there are no liabilities which extended beyond the description on the face hereof and the BUYER hereby waives all remedies or liabilities, expressed or implied, arising by law or otherwise, (including without any obligations of the SELLER with respect to fitness, merchantability, and consequential damages) whether or not occasioned by the SELLER's negligence. The BUYER is responsible to fully understand the capability and limitations of his/her vehicle according to manufacturer specifications and agrees to hold the SELLER harmless from any damage resulting from the failure to adhere to such specifications.

The SELLER disclaims any warranty and expressly disclaims any liability for personal injury or damages. The BUYER acknowledges and agrees that the disclaimer of any liability for personal injury is a material term for this agreement and the BUYER agrees to indemnify the SELLER and to hold the SELLER harmless from any claim related to the item of the equipment purchased. Under no circumstances will the SELLER be liable for any damages or expenses by reason of the use or sale of any such equipment.

The BUYER is responsible to obey all applicable federal, state, and local laws, statutes, and ordinances when operating his/her vehicle, and the BUYER agrees to hold SELLER harmless from any violation thereof.

The SELLER assumes no liability regarding the improper installation or misapplication of its products. It is the BUYER's responsibility to check for proper installation and if in doubt, contact the manufacturer. The BUYER is solely responsible for all warranty issues from the automotive manufacturer.

The use of this device signifies automatic approval of these conditions.

GALE BANKS ENGINEERING LIMITED WARRANTY

Please see enclosed warranty information card, or go to www.bankspower.com/support/warranty, for warranty information regarding your product. THIS WARRANTY APPLIES ONLY TO THE ORIGINAL CONSUMER PURCHASER OF THIS PRODUCT.

In the event of a defect, GBE will, at its discretion, repair or replace the hardware product with a product of like kind or quality, which may be new or reconditioned, with no charge to the purchaser for parts or labor. GBE's limit of liability under this limited warranty shall be the actual cash value of the product at the time the purchaser returns the product to GBE for repair less a reasonable amount for usage, as determined by GBE in its sole discretion. The repaired or replaced product will be warranted for 90 days from the date of return shipment, or for the balance of the original warranty, whichever is longer.

GBE warrants that the software included in hardware product will be free from defects in the media for a period of 30 days from the date of shipment and will substantially conform to the then current user documentation provided with the hardware products (including updates thereto). GBE's sole obligation shall be the correction or replacement of the media or the software so that it will substantially conform to the then-current user documentation. GBE does not warrant the software will meet purchaser's requirements or that its operation will be uninterrupted, error-free or virus-free. The purchaser assumes the entire risk of using the software.

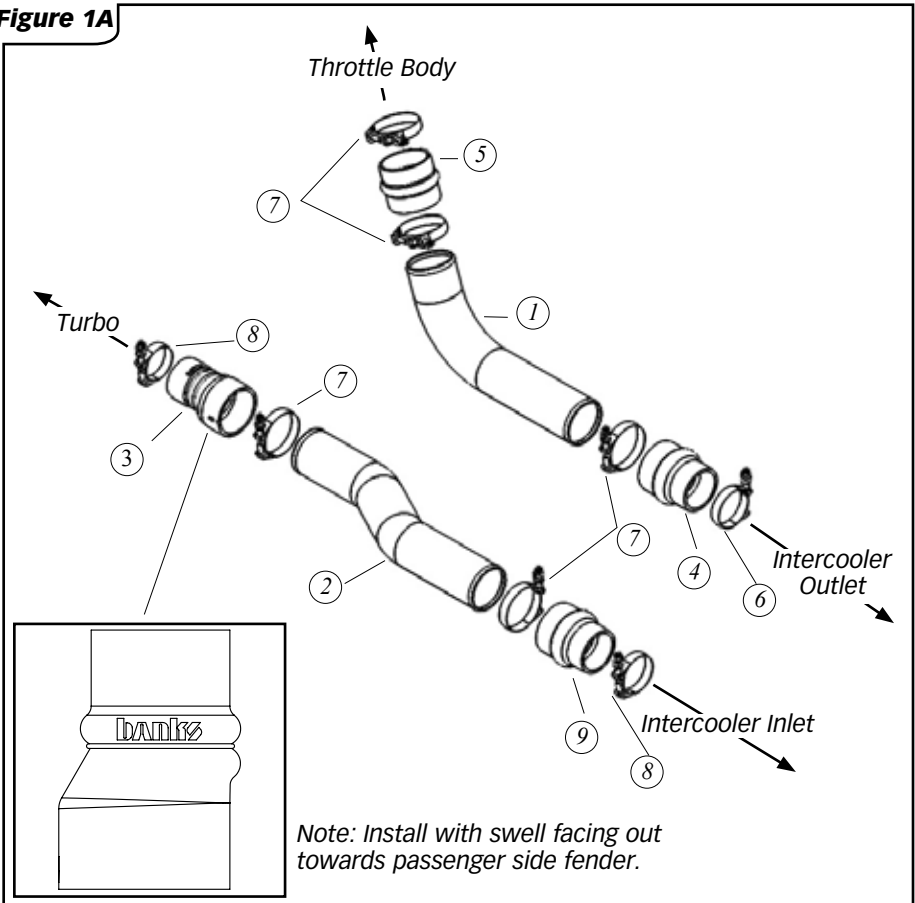
PURCHASER'S EXCLUSIVE REMEDY UNDER THIS WRITTEN WARRANTY OR ANY IMPLIED WARRANTY SHALL BE LIMITED TO THE REPAIR OR REPLACEMENT, AT GBE'S OPTION, OF ANY DEFECTIVE PART OF THE UNIVERSAL iDash OR ACCESSORIES WHICH ARE COVERED BY THIS WARRANTY. REPAIRS UNDER THIS WARRANTY SHALL ONLY BE MADE BY GBE AT ITS FACILITY. ANY REPAIRS BY ANYONE OTHER THAN GBE WILL VOID THIS WARRANTY

Section 1

General Assembly: 25998, 25965

Item	Description	Part#	Qty
1	Boost Tube, Left (Driver)- 2010-12 Dodge 6.7L	41345-R/N	1
2	Boost Tube, Right (Passenger)- 2010-12 Dodge 6.7L	41346-R/N	1
3	Hose, 2.75" to 3.5", Offset Centerline	94328	1
4	Hose, 3.5" ID x 3" ID Reducer x 4.5" Long	94326	1
5	Hose, 3.5" ID x 3.5" L, Black, Silicone, Intercooler	94293	1
6	T-Bolt Clamp, 3.25" Spring Loaded	92895	1
7	T-Bolt Clamp, 3.5" Spring Loaded	92897	5
8	T-Bolt Clamp, 3" Spring Loaded	92860	2
9	Hose, 3.5" ID x 2.75" ID reducer x 4.5" Long	94327	1

Figure 1A

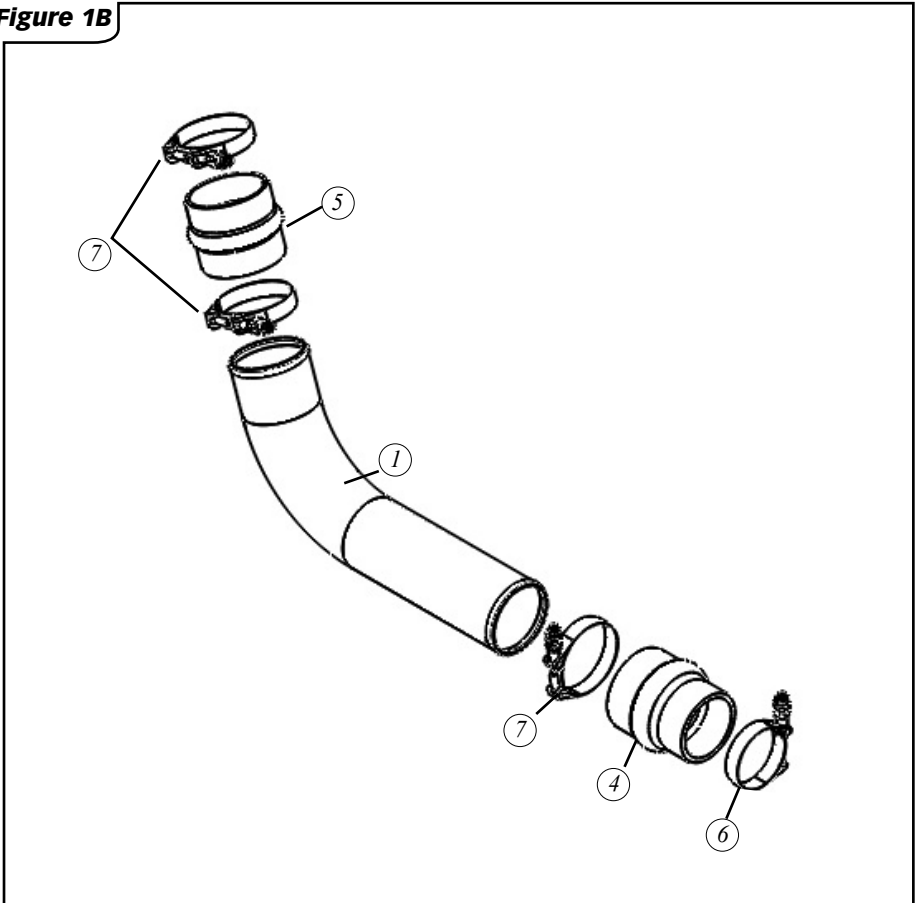


Section 1

General Assembly: 25997, 25964

Item	Description	Part#	Qty
1	Boost Tube, Left (Driver)- 2010-12 Dodge 6.7L	41345-R/N	1
4	Hose, 3.5" ID x 3" ID Reducer x 4.5" Long	94326	1
5	Hose, 3.5" ID x 3.5" L, Black, Silicone, Intercooler	94293	1
6	T-Bolt Clamp, 3.25" Spring Loaded	92895	1
7	T-Bolt Clamp, 3.5" Spring Loaded	92897	3

Figure 1B



Section 2

Remove Air Cleaner Box

1. Disconnect the negative battery cables from both batteries, as shown in **Figure 2**.

Figure 2



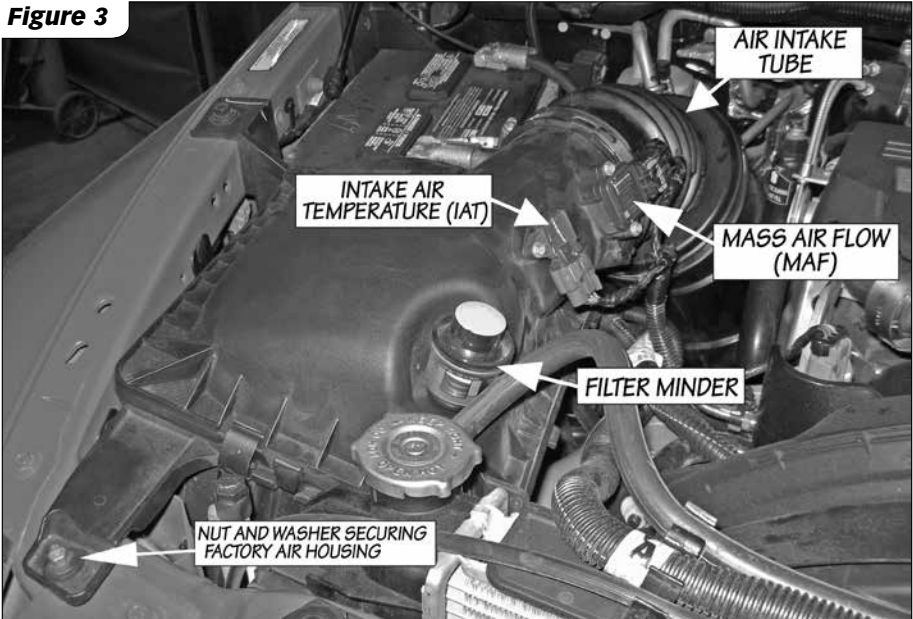
2. Disconnect all sensor connectors located on the air box cover.

3. Remove the bolt and washer securing factory air housing .

4. Loosen the hose clamp that secures the air intake tube to the turbocharger inlet. Disconnect the intake tube from the turbocharger

5. Remove the air box and intake tube from turbocharger as an assembly. The air box is held in place with re-usable push-in fasteners and can be pulled out vertically.

Figure 3



Section 4

Driver Side Boost Tube Installation, 41345

- 1.** Support vehicle. Remove driver side wheel and fender liner.
- 2.** Use a 7/16" or 11mm socket to loosen the clamps holding the driver's side boost tube to the throttle body and intercooler and pull the stock boost tube through the opening in the wheelwell.
- 3.** Install the supplied silicone hose couplings onto the driver side Banks boost tube. Leave the clamps slightly loose to allow for rotation. using supplied T-Bolt clamps
- 4.** Install the driver side boost tube through the wheel well. Align clamps to allow ease of tightening. Torque Banks T-bolt clamps to 5ft-lbs (60in-lbs).
- 5.** Reinstall fender liner and wheel.

Section 5

Passenger Side Boost Tube Installation, 41346

1. Use a 7/16" or 11mm socket to loosen the clamps on the rubber hose couplings holding the passenger side boost tube.

Note: The factory couplings and clamps will no longer be needed.

2. Install the supplied silicone hose couplings onto the passenger side boost tube. Using supplied T-Bolt clamps.

3. Position the tube in place, slipping the correct end over the turbo charger discharge with the swell on the hose coupling (3) facing out away from the

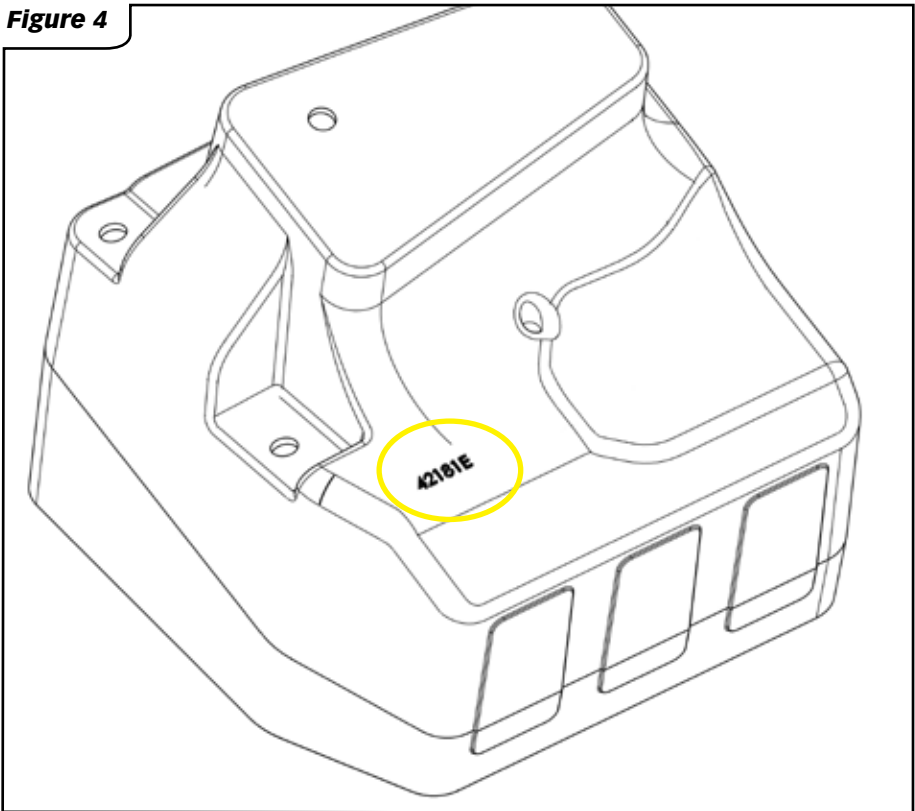
vehicle as shown in **Figure 1**. Slip the opposite end over the intercooler inlet. Leave clamps loose to allow for rotation.

*NOTE: The swell on hose coupling (3) must be facing away from the vehicle as shown in **Figure 1***

4. Align clamps to allow access for tightening. Torque Banks T-bolt clamps to 5 ft-lbs (60in-lbs).

*Note: Passenger side boost tube kit will fit with the OEM air cleaner box and Banks airbox housing 42181 rev-E or greater. See **Figure 4***

Figure 4



Section 7

Install Air Box

- 1.** Reposition the air box back into place. Firmly push until the housing feet pop back into the rubber grommets.
- 2.** Reconnect all sensors.
- 3.** Install and tighten the intake tube attached to the air box.
- 4.** Reinstall the bolt and washer from radiator core support that secures the air box.

Gale Banks Engineering
546 Duggan Avenue • Azusa, CA 91702
(626) 969-9600 • Fax (626) 334-1743

Product Information & Sales: (888) 635-4565
Customer Support: (888) 839-5600
Installation Support: (888) 839-2700

bankspower.com