

Installation for Ford Shelby GT350 PN-140684



******* Please compare the parts in the box with the bill of materials provided *****
(view the following pages) to assure that you have all the parts necessary for this installation.**

These instructions have been written to help you with the installation of your Borla Performance System. Please read this document completely before beginning the installation of your system.

To ensure this part number fits your specific model year, please visit our website for the latest model year listings at www.BORLA.com

Thank you for purchasing a Borla Performance Cat-Back™ Exhaust System.

Borla Performance Cat-Back™ Exhaust System (PN-140684) is designed for the Ford Shelby GT350 equipped with a 5.2L engine, manual transmission.

Borla Performance Industries recommends that an exhaust shop or professional after market parts installer, who has all the necessary equipment, tools and experienced personnel needed for proper installation, should perform the installation of this system. However, if you decide to perform the installation, we recommend someone should help you. Ensure the installer uses all under car safety precautions including eye protection.

Please take time to read and understand the following...

By installing your Borla Performance Exhaust System, you indicate that you have read this document and you agree with the terms stated below.

It is the responsibility of the purchaser to follow all installation instruction guidelines and safety procedures supplied with your Borla Performance Exhaust System.

Borla Performance Industries assumes no responsibility for damages occurring from misuse, abuse, improper installation, improper operation, lack of responsible care, or all previously stated reasons resulting from incompatibility with other manufacturer's products and/or systems.

Included with your Borla Performance Exhaust System is a warranty card. Please read it carefully before you begin any work on your vehicle. If you should have any questions regarding our warranty policy, installation, or any other matter pertaining to your new Borla Performance Exhaust System, please give us a call at the number provided on the warranty card.

Minimum Required Tool List:

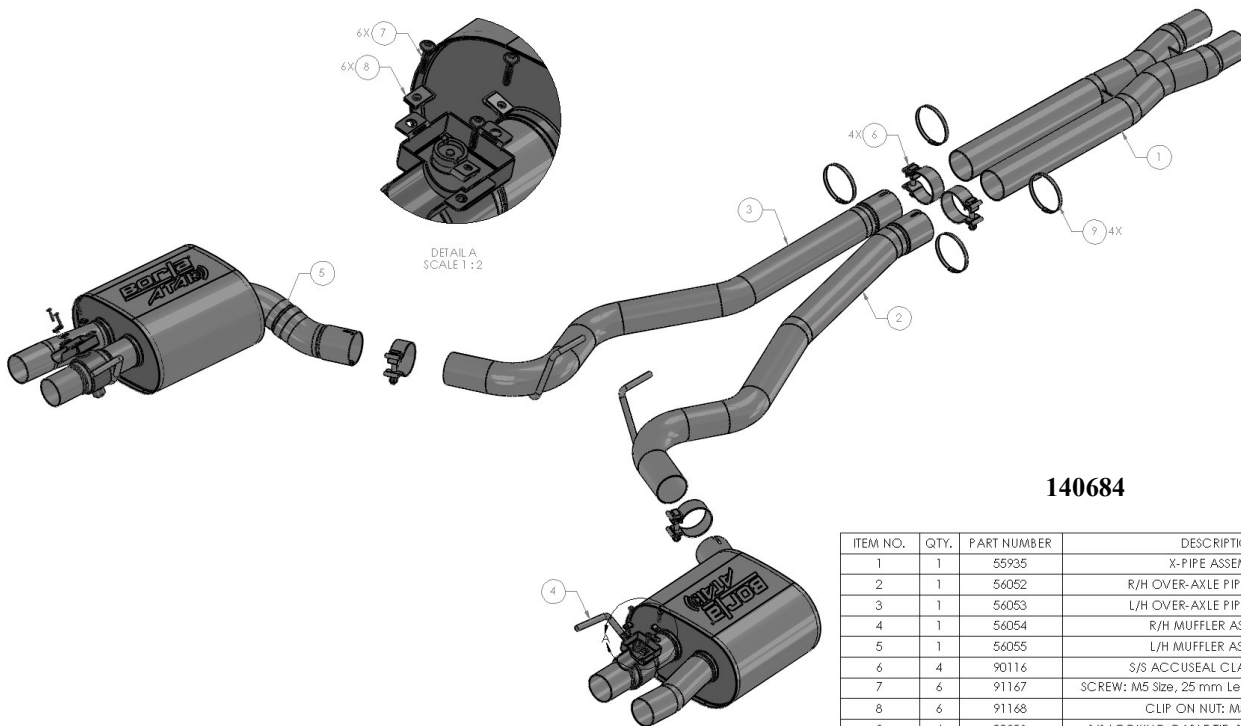
TOOLS:

1. 3/8” Drive Ratchet
2. 3/8” Drive Extension 3”
3. 15mm Socket
4. 13mm Socket
5. 8mm Socket
6. Wire Cutters
7. Small Flat Screwdriver
8. Pry Bar

SHOP SUPPLIES:

- 1 Spray Lubricant

Borla Performance Cat-back™ Bill of Materials



140684

ITEM NO.	QTY.	PART NUMBER	DESCRIPTION
1	1	55935	X-PIPE ASSEMBLY
2	1	56052	R/H OVER-AXLE PIPE ASSEMBLY
3	1	56053	L/H OVER-AXLE PIPE ASSEMBLY
4	1	56054	R/H MUFFLER ASSEMBLY
5	1	56055	L/H MUFFLER ASSEMBLY
6	4	90116	S/S ACCUSEAL CLAMP: Ø2.75
7	6	91167	SCREW: M5 Size, 25 mm Length, 0.80 mm Pitch
8	6	91168	CLIP ON NUT: M5 x .8mm
9	4	22928	S/S LOCKING CABLE TIE: 1/4" X .01" THK. X .31"

Caution!!! Never work on a hot exhaust system. Serious injury in the form of burns can result if the vehicle has been in use and the exhaust system is hot, allow vehicle to cool for at least 1 hour. Always wear eye protection when working under any vehicle.

Note: It is our recommendation that you use a hoist or hydraulic lift to facilitate the installation of your new Borla Performance Exhaust System.

Taking all under car safety precautions, lift the vehicle using a hoist or hydraulic lift. Once this has been done, you may begin the removal of your old exhaust system from your vehicle.

Note: Before removing the original exhaust system from your vehicle, please compare the parts you have received with the bill of materials provided on the previous page to assure that you have all the parts necessary for the installation of your new Borla Performance Exhaust System.

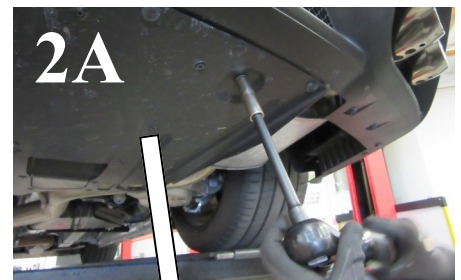
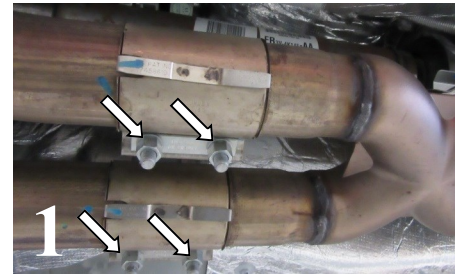
Note: With a used vehicle, we suggest a penetrating spray lubricant to be applied liberally to all exhaust fasteners and allowing a significant period of time for the chemical to lubricate the threads before attempting to disassemble.

Original Exhaust System Removal

1. Lubricate all hangers, rubber isolator, bolts and nuts.
2. Loosen the clamps located behind the x-pipe. Keep hardware for use during the re-installation of your new system. (See Fig. 1)
3. Carefully remove the OE center rear panel. Keep hardware for re-installation. (See Figs. 2A & 2B)
4. Remove right side and left side hanger brackets from the vehicle. (See. Fig. 3)
5. **Disconnect wire harness from the left-side and right-side electronic actuators.**
6. Remove the x-pipe heat shield from stock system and (recommended) transfer to your new x-pipe.
7. Using a muffler stand or help of an additional person, carefully remove the exhaust from the vehicle.
8. Use provided hardware (**M5 screws and clip-on nuts**) and transfer both electronic actuators from the factory exhaust to the **L/H and R/H Rear Muffler Assemblies.** (See Fig. 4)

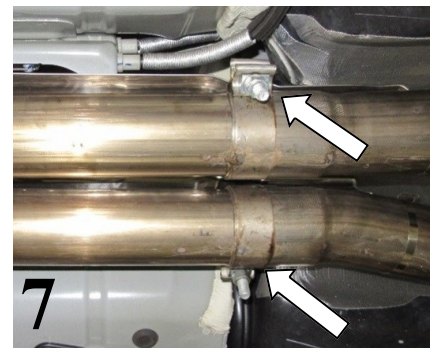
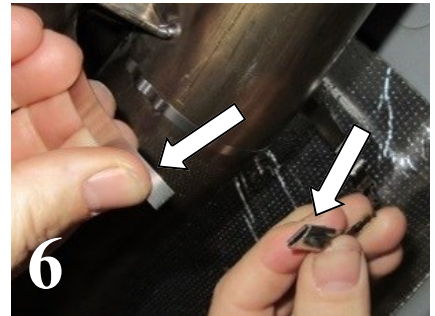
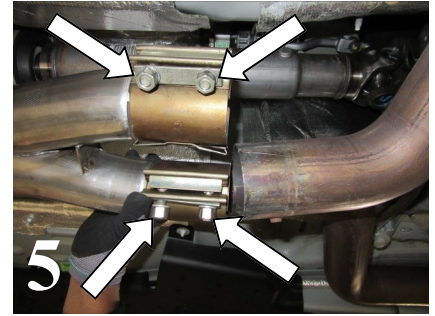
WARNING: Use extreme caution during installation. Torque all fasteners according to manufacturer's torque values and tightening sequence. **DO NOT** use air impact tools to tighten fasteners on Borla Performance Exhaust Systems. Use of such tools may result in bent flanges or gasket contact areas leading to exhaust leaks.

NOTE: When you first start your vehicle after the installation of your new Borla Performance Exhaust System, there may be some smoke and fumes coming from the system. This is a protective oil based coating used in the manufacturing of mandrel bent performance exhaust tubing. This is not a problem and will disappear within a very short period of time after the exhaust has reached normal operating temperatures.



Borla Performance Cat-Back™ Exhaust System Installation

1. Transfer the OE band clamps to connect the **X-Pipe Assembly** to factory front pipes. Hand-tighten hardware. (See Fig. 5)
2. Place heat shield on top of your new **X-Pipe Assembly** using the original hardware (recommended). (See Fig. 6)
3. Place a clamp over the expanded ends of the **R/H Over-Axle Pipe Assembly** and **L/H Over-Axle Pipe Assembly** and insert inlet to outlet of each **X-Pipe Assembly** inserting hangers into the rubber isolators. (See Fig. 7) **Do Not Tighten the clamp.**
4. Place a clamp over the expanded end of the **R/H Muffler Assembly**, and insert inlet to **R/H Over-Axle Pipe Assembly** installing the hanger into the rubber isolator. (See Fig. 8) **Do Not Tighten the clamp.**
5. Repeat the same process for the **L/H Muffler Assembly** to the **L/H Over-Axle Pipe Assembly**.
6. **Re-connect wire harness to left and right electronic actuators.**
7. Re-install the OE center rear panel using the original hardware.
8. Check your exhaust system for proper clearance under the vehicle and also for tip alignment to fixed valence tips. (See Fig. 9)
9. Once position has been determined to be correct, tighten clamp bolts to 33-35 ft. lb.
10. Before starting your vehicle, make sure to check all wires, hoses, brake lines, body parts and tires for safe clearance from the exhaust system.
11. Start vehicle and check for any leaks. If any leaks are found, determine cause and repair as necessary.



WARNING: Use extreme caution during installation. Torque all fasteners according to manufacturer's torque values and tightening sequence. **DO NOT** use air impact tools to tighten fasteners on Borla Performance Exhaust Systems. Use of such tools may result in bent flanges or gasket contact areas leading to exhaust leaks.

NOTE: When you first start your vehicle after the installation of your new Borla Performance Exhaust System, there may be some smoke and fumes coming from the system. This is a protective oil based coating used in the manufacturing of mandrel bent performance exhaust tubing. This is not a problem and will disappear within a very short period of time after the exhaust has reached normal operating temperatures.