

Installation Guide for Chevrolet Silverado/GMC Sierra 1500 6.2L

PNs 140771, 140772BC/CF, 140773, 140774BC/CF, 140775, 140776BC/CF, 140782, 140783, 140784, 60679, 60680, 60706



******* Please compare the parts in the box with the bill of materials provided *****
to ensure that you have all the parts necessary for this installation.**

These instructions have been written to help you with the installation of your Borla Performance exhaust system. Please read this document completely before beginning the installation of your system.

To ensure this part number fits your specific model year, please visit our website for the latest model year listings at www.BORLA.com

Thank you for purchasing a Borla Performance Cat-Back™ exhaust system.

These Borla Performance Cat-Back™ exhaust systems (PNs 140771, 140772BC/CF, 140773, 140774BC/CF, 140775, 140776BC/CF, 140782, 140783, 140784) are designed for the Chevrolet Silverado/GMC Sierra 1500, equipped with a 6.2L V8 engine and 2WD or 4WD automatic transmission.

Note: PNs 60679 and 60680 are designed only to work with Borla Cat-Back™ PNs 140773, 140774BC/CF, 140775, 140776BC/CF, 140783, and 140784. These components are designed to change the sound level of your exhaust system between ATAК and S-Type. *They are not compatible with Borla Touring™ Cat-Back system PNs 140771, 140772BC/CF, and 140782.*

Borla Performance exhaust component PN 60706 is designed only to work with the above Borla Performance Cat-Back™ exhaust systems to adapt them to trucks with a Crew Cab, 6' 5" bed layout (157" wheelbase). It is not compatible with the stock exhaust.

Borla Performance Industries recommends that an exhaust shop or professional after market parts installer, who has all the necessary equipment, tools and experienced personnel needed for proper installation, should perform the installation of this system. However, if you decide to perform the installation, we recommend someone should help you. Ensure the installer uses all under car safety precautions including eye protection.

Please take time to read and understand the following...

By installing your Borla Performance exhaust system, you indicate that you have read this document and you agree with the terms stated below.

It is the responsibility of the purchaser to follow all installation instruction guidelines and safety procedures supplied with your Borla Performance Exhaust System.

Borla Performance Industries assumes no responsibility for damages occurring from misuse, abuse, improper installation, improper operation, lack of responsible care, or all previously stated reasons resulting from incompatibility with other manufacturer's products and/or systems.

Included with your Borla Performance exhaust system is a warranty card. Please read it carefully before you begin any work on your vehicle. If you should have any questions regarding our warranty policy, installation, or any other matter pertaining to your new Borla Performance exhaust system, please give us a call at the number provided on the warranty card.

Minimum Required Tool List:

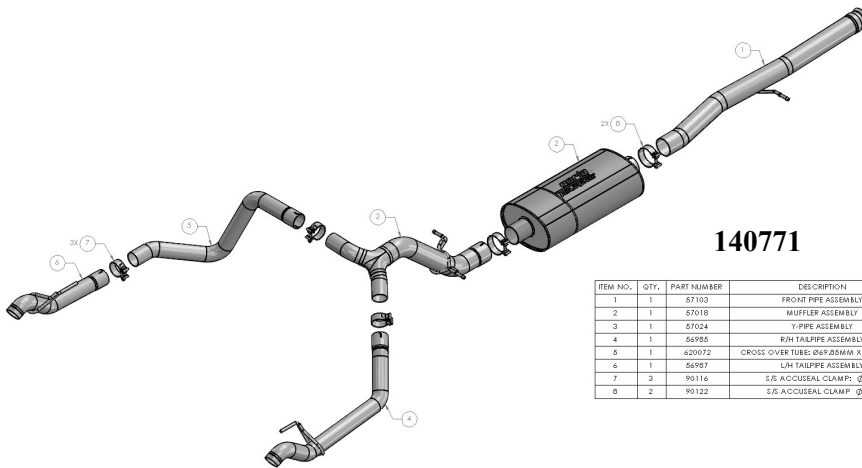
TOOLS:

1. 3/8” drive ratchet
2. 3/8” drive extension 3”
3. 3/8” drive extension 3”
4. 15mm deep well socket
5. 13mm socket
6. 10mm socket
7. Pry bar

SHOP SUPPLIES:

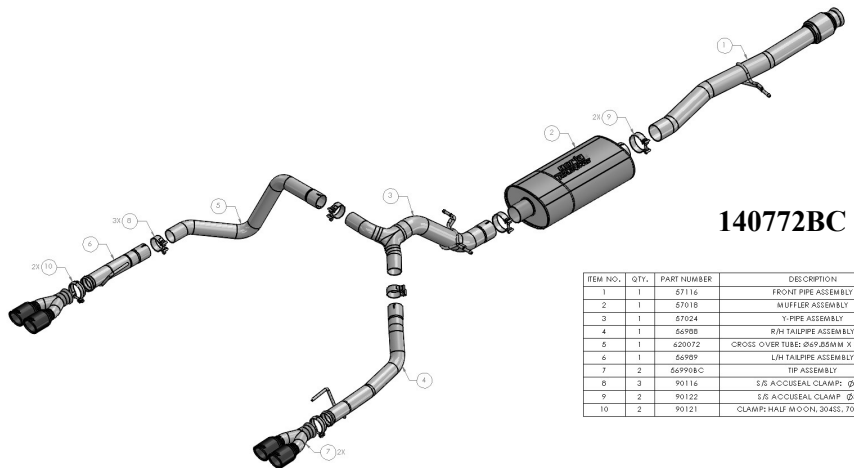
1. Spray lubricant

Borla Performance - Bill of Materials



140771

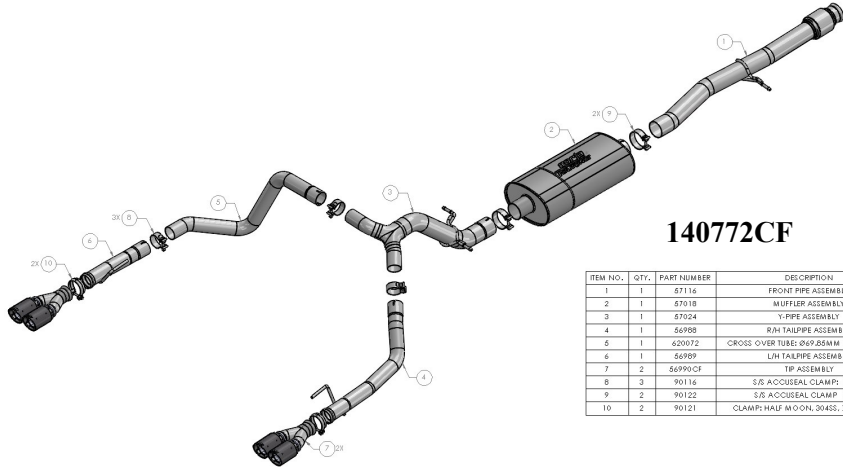
ITEM NO.	QTY.	PART NUMBER	DESCRIPTION
1	1	57103	FRONT PIPE ASSEMBLY
2	1	57018	MUFFLER ASSEMBLY
3	1	57024	Y-PIPE ASSEMBLY
4	1	56905	R/H TAILPIPE ASSEMBLY
5	1	620072	CROSS OVER TUBE Ø67.05MM X 1074.05MM
6	1	56907	L/H TAILPIPE ASSEMBLY
7	3	90114	S/S ACCUSEAL CLAMP: Ø2.75
8	2	90122	S/S ACCUSEAL CLAMP: Ø3.50



140772BC

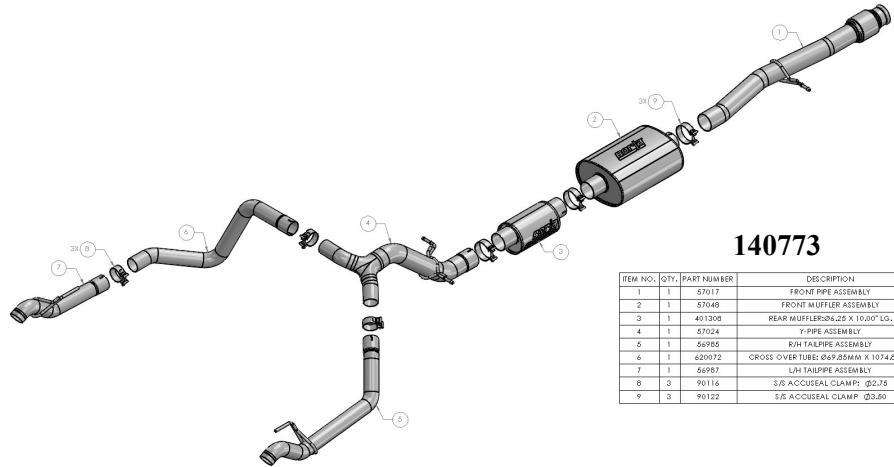
ITEM NO.	QTY.	PART NUMBER	DESCRIPTION
1	1	57116	FRONT PIPE ASSEMBLY
2	1	57018	MUFFLER ASSEMBLY
3	1	57024	Y-PIPE ASSEMBLY
4	1	56908	R/H TAILPIPE ASSEMBLY
5	1	620072	CROSS OVER TUBE Ø67.05MM X 1074.05MM
6	1	56909	L/H TAILPIPE ASSEMBLY
7	2	56990BC	TIP ASSEMBLY
8	3	90116	S/S ACCUSEAL CLAMP: Ø2.75
9	2	90122	S/S ACCUSEAL CLAMP: Ø3.50
10	2	90121	CLAMP: HALF M ODN, 304SS, 70mm, 2.75"

Borla Performance - Bill of Materials



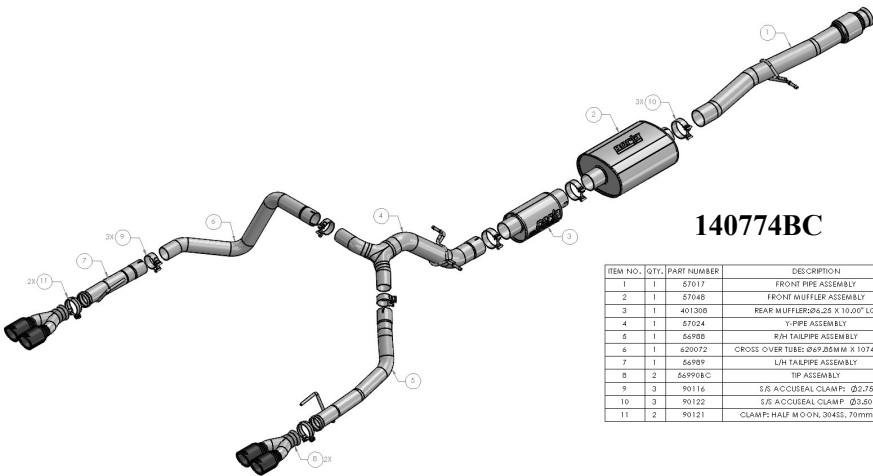
140772CF

ITEM NO.	QTY.	PART NUMBER	DESCRIPTION
1	1	57116	FRONT PIPE ASSEMBLY
2	1	67018	MUFFLER ASSEMBLY
3	1	67024	Y-PIPE ASSEMBLY
4	1	56988	R/H TAILPIPE ASSEMBLY
5	1	620072	CROSS OVER TUBE: Ø69.25MM X 1074.85MM
6	1	56989	L/H TAILPIPE ASSEMBLY
7	2	56990CF	TIP ASSEMBLY
8	3	90116	S/S ACCUSEAL CLAMP: Ø2.75
9	2	90122	S/S ACCUSEAL CLAMP: Ø3.50
10	2	90121	CLAMP: HALF MOON, 304SS, 70mm, 2.75"



140773

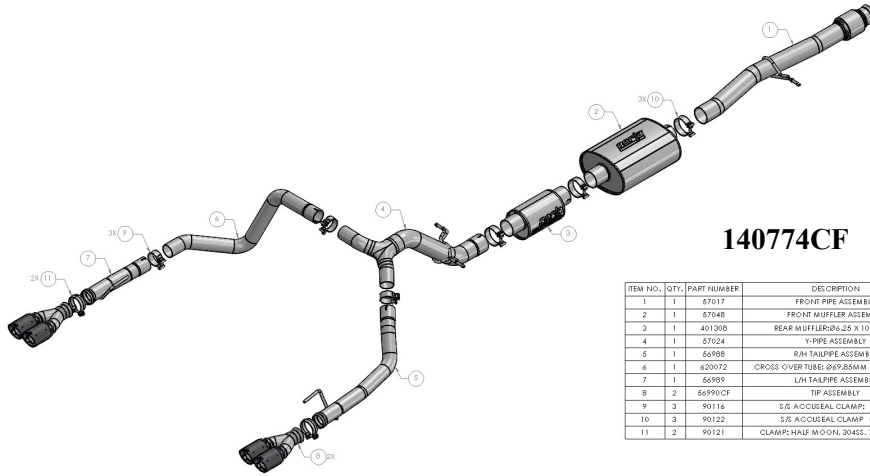
ITEM NO.	QTY.	PART NUMBER	DESCRIPTION
1	1	57017	FRONT PIPE ASSEMBLY
2	1	57048	FRONT MUFFLER ASSEMBLY
3	1	401308	REAR MUFFLER:Ø6.25 X 10.00" LG.
4	1	57024	Y-PIPE ASSEMBLY
5	1	56955	R/H TAILPIPE ASSEMBLY
6	1	620072	CROSS OVER TUBE: Ø69.25MM X 1074.85MM
7	1	56989	L/H TAILPIPE ASSEMBLY
8	3	90116	S/S ACCUSEAL CLAMP: Ø2.75
9	2	90122	S/S ACCUSEAL CLAMP: Ø3.50



140774BC

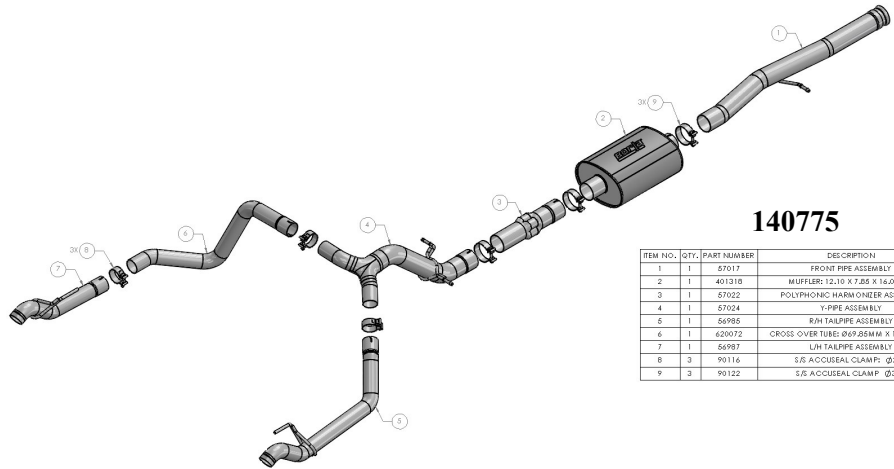
ITEM NO.	QTY.	PART NUMBER	DESCRIPTION
1	1	57017	FRONT PIPE ASSEMBLY
2	1	57048	FRONT MUFFLER ASSEMBLY
3	1	401308	REAR MUFFLER:Ø6.25 X 10.00" LG.
4	1	57024	Y-PIPE ASSEMBLY
5	1	56988	R/H TAILPIPE ASSEMBLY
6	1	620072	CROSS OVER TUBE: Ø69.25MM X 1074.85MM
7	1	56989	L/H TAILPIPE ASSEMBLY
8	2	56990C	TIP ASSEMBLY
9	3	90116	S/S ACCUSEAL CLAMP: Ø2.75
10	3	90122	S/S ACCUSEAL CLAMP: Ø3.50
11	2	90121	CLAMP: HALF MOON, 304SS, 70mm, 2.75"

Borla Performance - Bill of Materials



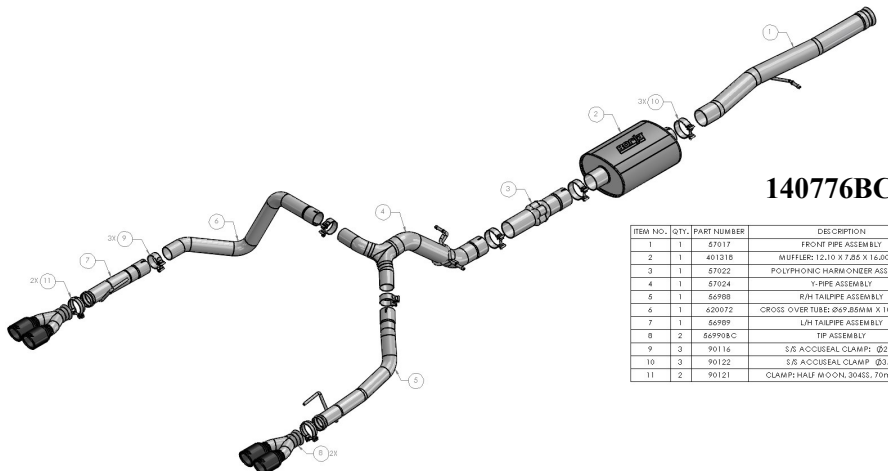
140774CF

ITEM NO.	QTY.	PART NUMBER	DESCRIPTION
1	1	87017	FRONT PIPE ASSEMBLY
2	1	87040	FRONT MUFFLER ASSEMBLY
3	1	401305	REAR MUFFLER:26" X 10.00" LG.
4	1	87024	Y-PIPE ASSEMBLY
5	1	56988	R/H TAILPIPE ASSEMBLY
6	1	620072	CROSS OVER TUBE: Ø49.85MM X 1074.88MM
7	1	56989	L/H TAILPIPE ASSEMBLY
8	2	56993C	TIP ASSEMBLY
9	3	90116	5/8" ACCUSEAL CLAMP: Ø2.75
10	3	90122	5/8" ACCUSEAL CLAMP: Ø3.50
11	2	90121	CLAMP: HALF MOON, 304SS, 70mm, 2.75"



140775

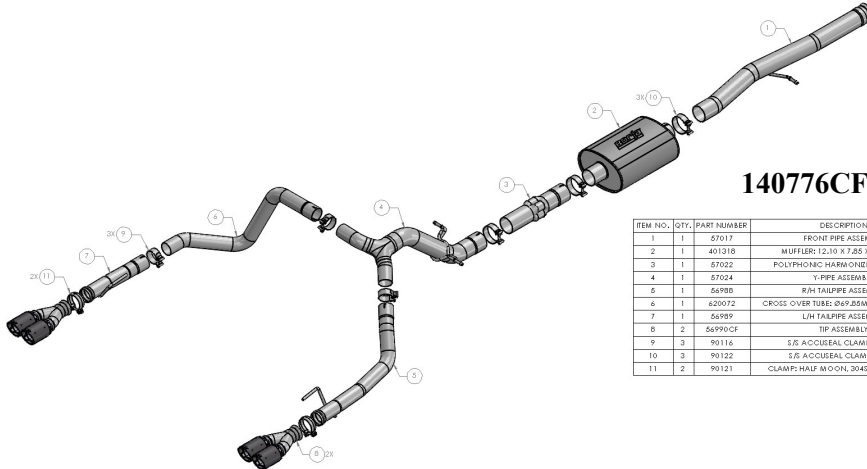
ITEM NO.	QTY.	PART NUMBER	DESCRIPTION
1	1	87017	FRONT PIPE ASSEMBLY
2	1	401318	MUFFLER: 12.10 X 7.85 X 16.00" LG.
3	1	87022	POLYPHONIC HARMONIZER ASSEMBLY
4	1	87024	Y-PIPE ASSEMBLY
5	1	56988	R/H TAILPIPE ASSEMBLY
6	1	620072	CROSS OVER TUBE: Ø49.85MM X 1074.88MM
7	1	56989	L/H TAILPIPE ASSEMBLY
8	3	90116	5/8" ACCUSEAL CLAMP: Ø2.75
9	3	90122	5/8" ACCUSEAL CLAMP: Ø3.50



140776BC

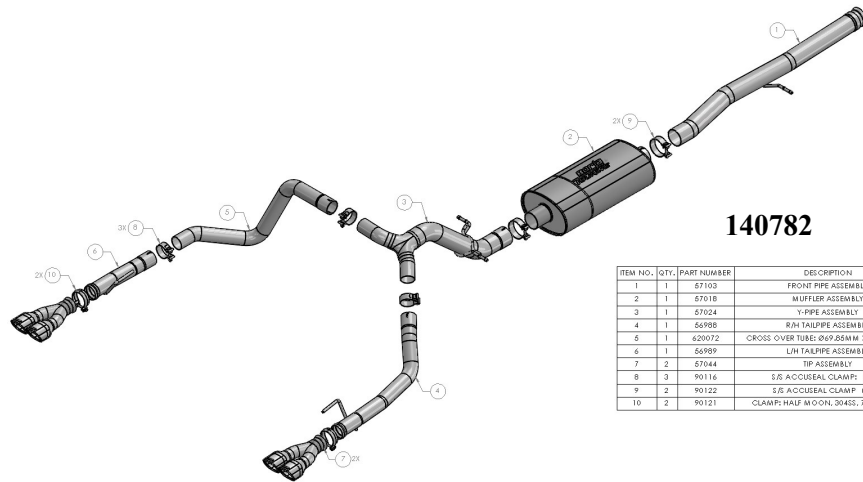
ITEM NO.	QTY.	PART NUMBER	DESCRIPTION
1	1	87017	FRONT PIPE ASSEMBLY
2	1	401318	MUFFLER: 12.10 X 7.85 X 16.00" LG.
3	1	87022	POLYPHONIC HARMONIZER ASSEMBLY
4	1	87024	Y-PIPE ASSEMBLY
5	1	56988	R/H TAILPIPE ASSEMBLY
6	1	620072	CROSS OVER TUBE: Ø49.85MM X 1074.88MM
7	1	56989	L/H TAILPIPE ASSEMBLY
8	2	56993C	TIP ASSEMBLY
9	3	90116	5/8" ACCUSEAL CLAMP: Ø2.75
10	3	90122	5/8" ACCUSEAL CLAMP: Ø3.50
11	2	90121	CLAMP: HALF MOON, 304SS, 70mm, 2.75"

Borla Performance - Bill of Materials



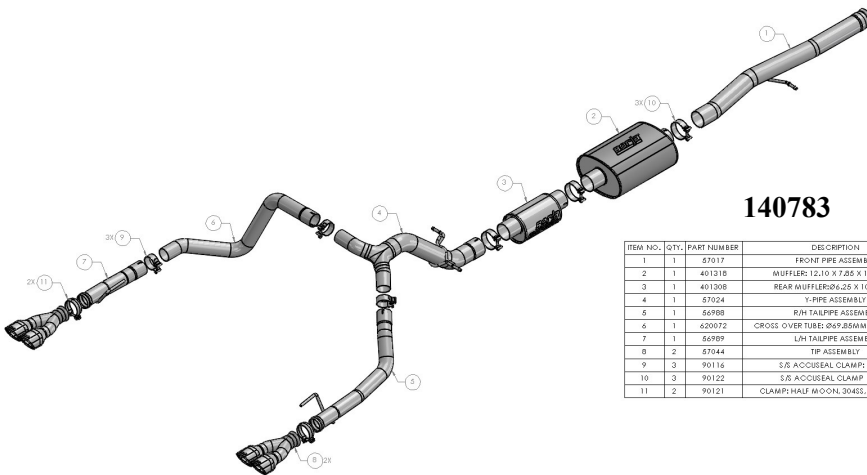
140776CF

ITEM NO.	QTY.	PART NUMBER	DESCRIPTION
1	1	27017	FRONT PIPE ASSEMBLY
2	1	401310	MUFFLER:12.10" X 7.25" X 16.00" LG.
3	1	57022	POLYPHONIC HARMONIZER ASSEMBLY
4	1	57024	Y-PIPE ASSEMBLY
5	1	56988	R/H TAILPIPE ASSEMBLY
6	1	620072	CROSS OVER TUBE: Ø69.85MM X 1074.89MM
7	1	56989	L/H TAILPIPE ASSEMBLY
8	2	56990CF	TIP ASSEMBLY
9	3	90116	S/S ACCUSEAL CLAMP: Ø3.75
10	3	90122	S/S ACCUSEAL CLAMP: Ø3.50
11	2	90121	CLAMP: HALF M O/DH, 304SS, 70mm, 2.75"



140782

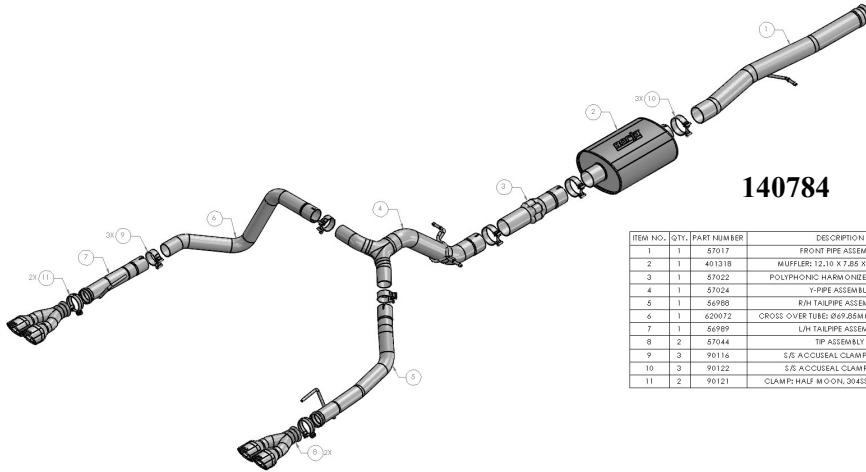
ITEM NO.	QTY.	PART NUMBER	DESCRIPTION
1	1	27017	FRONT PIPE ASSEMBLY
2	1	57018	MUFFLER ASSEMBLY
3	1	57024	Y-PIPE ASSEMBLY
4	1	56988	R/H TAILPIPE ASSEMBLY
5	1	620072	CROSS OVER TUBE: Ø69.85MM X 1074.89MM
6	1	56989	L/H TAILPIPE ASSEMBLY
7	2	57044	TIP ASSEMBLY
8	3	90116	S/S ACCUSEAL CLAMP: Ø2.75
9	2	90122	S/S ACCUSEAL CLAMP: Ø3.50
10	2	90121	CLAMP: HALF M O/DH, 304SS, 70mm, 2.75"



140783

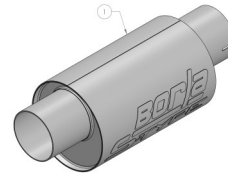
ITEM NO.	QTY.	PART NUMBER	DESCRIPTION
1	1	27017	FRONT PIPE ASSEMBLY
2	1	401310	MUFFLER:12.10" X 7.25" X 16.00" LG.
3	1	401308	REAR MUFFLER:Ø6.25" X 10.00" LG.
4	1	57024	Y-PIPE ASSEMBLY
5	1	56988	R/H TAILPIPE ASSEMBLY
6	1	620072	CROSS OVER TUBE: Ø69.85MM X 1074.89MM
7	1	56989	L/H TAILPIPE ASSEMBLY
8	2	57044	TIP ASSEMBLY
9	3	90116	S/S ACCUSEAL CLAMP: Ø2.75
10	3	90122	S/S ACCUSEAL CLAMP: Ø3.50
11	2	90121	CLAMP: HALF M O/DH, 304SS, 70mm, 2.75"

Borla Performance - Bill of Materials



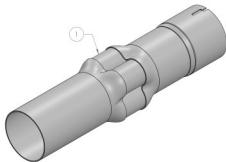
140784

ITEM NO.	QTY.	PART NUMBER	DESCRIPTION
1	1	87017	FRONT PIPE ASSEMBLY
2	1	40131B	MUFFLER 12.10 X 7.25 X 16.20" LG.
3	1	57022	POLYPHONIC HARMONIZER ASSEMBLY
4	1	57024	Y-PIPE ASSEMBLY
5	1	56988	R/H TAILPIPE ASSEMBLY
6	1	620072	CROSS-OVER TUBE: Ø69.85MM X 1074.85MM
7	1	56989	L/H TAILPIPE ASSEMBLY
8	2	57044	TIP ASSEMBLY
9	3	90116	S/S ACCESSAL CLAMP: Ø3.75
10	3	90122	S/S ACCESSAL CLAMP: Ø3.50
11	2	90121	CLAMP: HALF MOON, Ø4.55, 70mm, 2.75"



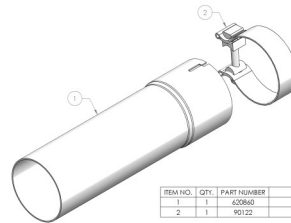
60679

ITEM NO.	QTY.	PART NUMBER	DESCRIPTION
1	1	40130B	REAR MUFFLER-Ø4.25 X 10.00" LG.



60680

ITEM NO.	QTY.	PART NUMBER	DESCRIPTION
1	1	57022	POLYPHONIC HARMONIZER ASSEMBLY



60706

ITEM NO.	QTY.	PART NUMBER	DESCRIPTION
1	1	60660	EXTENSION PIPE:Ø3.50 X 12.00"
2	1	90122	S/S ACCESSAL CLAMP: Ø3.50

Caution!!! *Never work on a hot exhaust system. Serious injury in the form of burns can result if the vehicle has been in use and the exhaust system is hot, allow vehicle to cool for at least 1 hour. Always wear eye protection when working under any vehicle.*

Note: *It is our recommendation that you use a hoist or hydraulic lift to facilitate the installation of your new Borla Performance Exhaust System.*

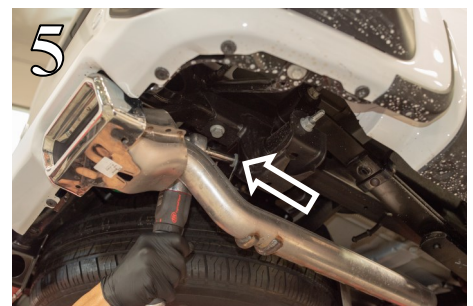
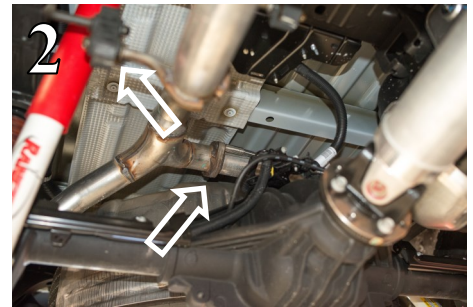
Taking all under car safety precautions, lift the vehicle using a hoist or hydraulic lift. Once this has been done, you may begin the removal of your old exhaust system from your vehicle.

Note: *Before removing the original exhaust system from your vehicle, please compare the parts you have received with the bill of materials provided on the previous page to assure that you have all the parts necessary for the installation of your new Borla Performance Exhaust System.*

Note: *With a used vehicle, we suggest a penetrating spray lubricant to be applied liberally to all exhaust fasteners and allowing a significant period of time for the chemical to lubricate the threads before attempting to disassemble.*

Original Exhaust System Removal

1. Lubricate all hangers, rubber isolators, bolts and nuts.
2. Remove the bolt from the L/H tailpipe hanger mounting bracket (fig. 1). Keep hardware for later reinstallation.
3. Remove hardware from L/H tailpipe flange near the differential (fig. 2).
4. Remove L/H tailpipe (fig. 3).
5. Make a cut directly in front of the muffler assembly (fig. 4).
6. Loosen hardware on R/H tailpipe hanger mounting bracket and remove (fig. 5).



Caution!!! *Never work on a hot exhaust system. Serious injury in the form of burns can result if the vehicle has been in use and the exhaust system is hot, allow vehicle to cool for at least 1 hour. Always wear eye protection when working under any vehicle.*

Note: *It is our recommendation that you use a hoist or hydraulic lift to facilitate the installation of your new Borla Performance Exhaust System.*

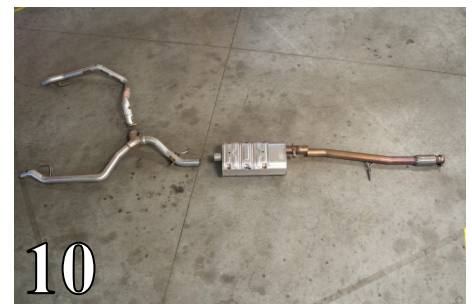
Taking all under car safety precautions, lift the vehicle using a hoist or hydraulic lift. Once this has been done, you may begin the removal of your old exhaust system from your vehicle.

Note: *Before removing the original exhaust system from your vehicle, please compare the parts you have received with the bill of materials provided on the previous page to assure that you have all the parts necessary for the installation of your new Borla Performance Exhaust System.*

Note: *With a used vehicle, we suggest a penetrating spray lubricant to be applied liberally to all exhaust fasteners and allowing a significant period of time for the chemical to lubricate the threads before attempting to disassemble.*

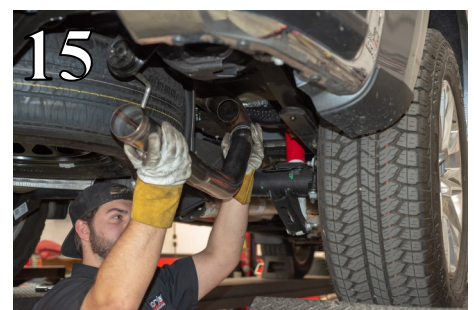
Original Exhaust System Removal Cont'd

- Using a flathead screwdriver or a pry bar, remove the muffler assembly hangers from their rubber isolators (figs. 6 & 7).
- Using a muffler stand or an additional person, carefully remove the muffler and L/H tailpipe assembly, bringing it towards the front of the vehicle.
- Loosen the clamp on the front of the front pipe (fig. 9). Keep the clamp for later reinstallation.
- Remove the front pipe from the vehicle.
- Original exhaust system removed (fig. 10).



Borla Performance Cat-Back™ Exhaust System Installation

1. Orient components on shop floor according to the Borla bill of materials drawing on page 2, 3, or 4.
2. In order to install the system as shown, we recommend that you connect the **front pipe assembly (and PN 60706, if applicable)** to the **front muffler assembly** on the shop floor. This step is not critical.
3. Place the original clamp on the inlet of the front muffler assembly and install onto the vehicle (fig. 11). Do not tighten the clamp. Insert hangers into rubber isolators.
4. S-Type systems only: install the **rear muffler assembly** (fig. 12). **Refer to this step for PN 60679.**
5. ATAK systems only: install the Polyphonic Harmonizer assembly (fig. 13). **Refer to this step for PN 60680.**
6. Install the **Y-pipe assembly** onto the vehicle, connecting it to the muffler assembly (Touring systems), rear muffler assembly (S-Type systems), or Polyphonic Harmonizer assembly (ATAK systems) (fig. 14). Insert hangers into rubber isolators.
7. Reinstall the tailpipe rubber isolators removed during stock removal.
8. Place a clamp on the **R/H tailpipe assembly** then connect it to the y-pipe, inserting the hanger into its rubber isolator first (fig. 15). Tailpipe outlet shape may vary from that shown, depending on part number purchased.



WARNING: Use extreme caution during installation. Torque all fasteners according to manufacturer's torque values and tightening sequence. **DO NOT** use air impact tools to tighten fasteners on Borla Performance Exhaust Systems. Use of such tools may result in bent flanges or gasket contact areas leading to exhaust leaks.

NOTE: When you first start your vehicle after the installation of your new Borla Performance Exhaust System, there may be some smoke and fumes coming from the system. This is a protective oil based coating used in the manufacturing of mandrel bent performance exhaust tubing. This is not a problem and will disappear within a very short period of time after the exhaust has reached normal operating temperatures.

Borla Performance Cat-Back™ Exhaust System Installation Cont'd



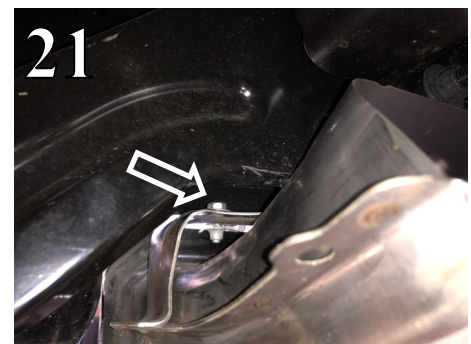
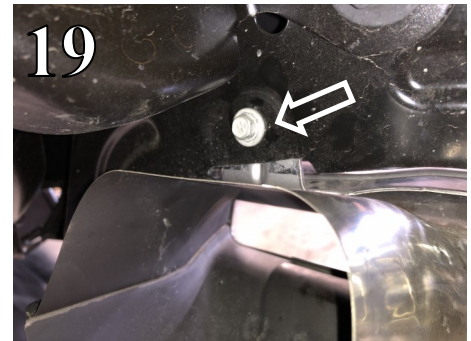
9. Place a clamp on the **over-axle pipe** and connect it to the Y-pipe assembly (fig. 16). Do not tighten the clamp.
10. Place a clamp on the L/H tailpipe assembly and connect it to the over-axle pipe, inserting the hanger into its rubber isolator first (fig. 17). Do not tighten the clamp.
11. **140771, 140773, and 140775 only:** Place tailpipe outlets into valance tips (fig. 18)
12. Check your exhaust system for proper clearance under the vehicle and also for tip alignment. Starting at front flanges and moving to rear of vehicle, tighten flange hardware bolts. Orient position of bolt (on supplied clamps) between (not over) pipe notches and tighten to 35 ft. lbs. torque.
13. Align tips and tighten hardware. Loosen clamps to rotate or slide pipe for better alignment.
14. Before starting your vehicle, make sure to check all wires, hoses, brake lines, body parts and tires for safe clearance from the exhaust system.
15. Start the vehicle and check for any leaks. If any leaks are found, determine cause (such as loose or incorrectly positioned clamp) and repair as necessary.

WARNING: Use extreme caution during installation. Torque all fasteners according to manufacturer's torque values and tightening sequence. **DO NOT** use air impact tools to tighten fasteners on Borla Performance Exhaust Systems. Use of such tools may result in bent flanges or gasket contact areas leading to exhaust leaks.

NOTE: When you first start your vehicle after the installation of your new Borla Performance Exhaust System, there may be some smoke and fumes coming from the system. This is a protective oil based coating used in the manufacturing of mandrel bent performance exhaust tubing. This is not a problem and will disappear within a very short period of time after the exhaust has reached normal operating temperatures.

Borla Performance Cat-Back™ Exhaust System Installation: 140772BC/CF, 140774BC/CF, 140782, 140783 Quad-Tip Systems

1. Remove the pictured hardware on the L/H and R/H valance tips (figs. 19, 20, 21).
2. The bolt pictured in fig. 19 may require an air wrench to remove due to limited clearance.
3. Valance tip removed (fig. 22).



WARNING: Use extreme caution during installation. Torque all fasteners according to manufacturer's torque values and tightening sequence. **DO NOT** use air impact tools to tighten fasteners on Borla Performance Exhaust Systems. Use of such tools may result in bent flanges or gasket contact areas leading to exhaust leaks.

NOTE: When you first start your vehicle after the installation of your new Borla Performance Exhaust System, there may be some smoke and fumes coming from the system. This is a protective oil based coating used in the manufacturing of mandrel bent performance exhaust tubing. This is not a problem and will disappear within a very short period of time after the exhaust has reached normal operating temperatures.

Borla Performance Cat-Back™ Exhaust System Installation: 140772BC/CF, 140774BC/CF, 140782, 140783 Quad-Tip Systems



4. Place a ball clamp on the outlet of the **R/H tailpipe** (fig. 25).
5. Connect the **tip assembly** to the **R/H tailpipe** and snug the clamp (figs. 25, 26).
6. Repeat steps 4-5 for **L/H tip assembly**.
7. Please note that you may rotate and adjust the tip assemblies for optimal fitment.
8. Check your exhaust system for proper clearance under the vehicle and also for tip alignment. Starting at front flanges and moving to rear of vehicle, tighten flange hardware bolts. Orient position of bolt (on supplied clamps) between (not over) pipe notches and tighten to 35 ft. lbs. torque.
9. Align tips and tighten hardware. Loosen clamps to rotate or slide pipe for better alignment.
10. Before starting your vehicle, make sure to check all wires, hoses, brake lines, body parts and tires for safe clearance from the exhaust system.
11. Start the vehicle and check for any leaks. If any leaks are found, determine cause (such as loose or incorrectly positioned clamp) and repair as necessary.

WARNING: Use extreme caution during installation. Torque all fasteners according to manufacturer's torque values and tightening sequence. **DO NOT** use air impact tools to tighten fasteners on Borla Performance Exhaust Systems. Use of such tools may result in bent flanges or gasket contact areas leading to exhaust leaks.

NOTE: When you first start your vehicle after the installation of your new Borla Performance Exhaust System, there may be some smoke and fumes coming from the system. This is a protective oil based coating used in the manufacturing of mandrel bent performance exhaust tubing. This is not a problem and will disappear within a very short period of time after the exhaust has reached normal operating temperatures.