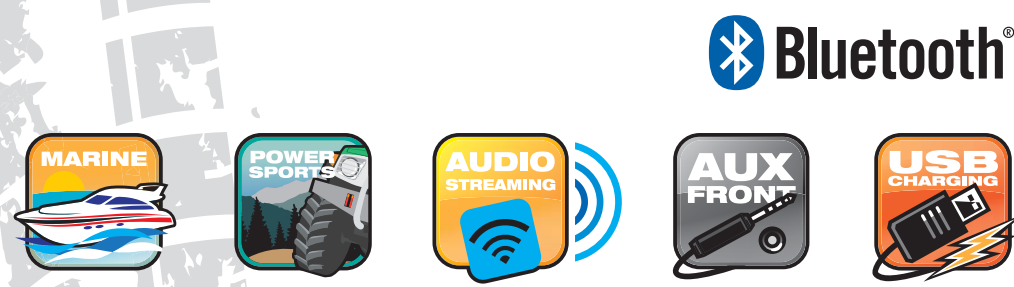


# USER'S MANUAL

## ATVB95LED

BLUETOOTH® | ALL-TERRAIN SOUND SYSTEM  
 FEATURES LED LIGHT BAR, LARGE FRONT STORAGE  
 COMPARTMENT AND 8" MARINE SPEAKERS AND  
 1.5" WATERPROOF TWEETERS

### QUICK START GUIDE



**BOSS**  
**REBEL**  
 POWER SPORTS

# USER'S MANUAL

## ATVB95LED

BLUETOOTH® | ALL-TERRAIN SOUND SYSTEM  
 FEATURES LED LIGHT BAR, LARGE FRONT STORAGE COMPARTMENT AND  
 8" MARINE SPEAKERS AND 1.5" WATERPROOF TWEETERS

**BOSS**  
 AUDIO SYSTEMS

BOSS Audio Systems  
 3451 Lunar Court • Oxnard, CA 93030  
 www.bosssaudio.com | 805.322.8794  
 tech support: www.bosssaudio.com/support/technical-support



0616



iPhone and iPod are trademarks of Apple, Inc. registered in the U.S. and other countries. BOSS Audio Systems is not affiliated with Apple, Inc. The Bluetooth word mark and logos are registered trademarks owned by Bluetooth SIG, Inc. and any use of such marks by BOSS Audio Systems is under license. Other trademarks and trade names are those of their respective owners.

**1** Thank you for purchasing this  
**BOSS**  
 AUDIO SYSTEMS  
**ATVB95LED All-Terrain Sound System**  
 Please read through these instructions carefully so you will know  
 how to operate your model properly.  
 After you have finished reading the instructions, keep this document  
 in a safe place for future reference.

- THIS PACKAGE CONTAINS**
- 1 - ATVB95LED All-Terrain Speaker System
  - 1 - Bluetooth Multi-Function Controller
  - 1 - Handlebar Mounting Kit
  - 1 - Quick Connect Power Extension Adaptor
  - 4 - Hi-strength Nylon Mounting Straps
  - 1 - User Manual Quick Start Guide / Poster
  - 1 - Warranty Card

**INFORMATION TO THE USER**

**Bluetooth**  
 The Bluetooth® word mark and logos are registered trademarks owned by  
 Bluetooth SIG, Inc. and any use of such marks is under license.  
 Other trademarks and trade names are those of their respective owners.

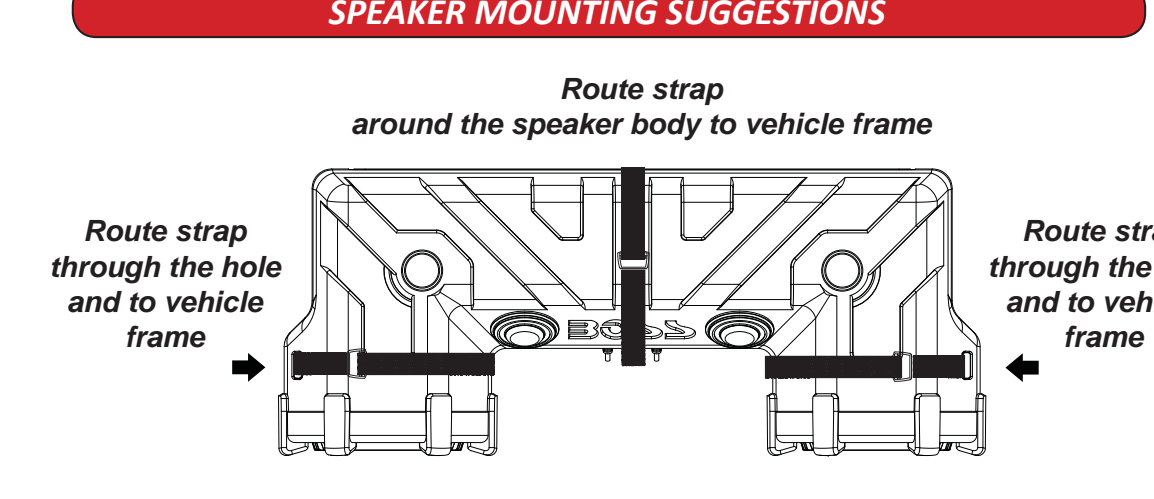
**5 BLUETOOTH OPERATION**

- PAIRING & DISCOVERING A NEW BLUETOOTH CONNECTION**
- 1) Power on the **MFC** by pressing and holding down the **2 POWER** button for 3 seconds
  - 2) Press the **PLAY/PAUSE 4** button for 3 seconds, the **5 BLUE LED** will quickly flash, signaling that the **MFC** is now ready for **Bluetooth** pairing.
  - 3) Now that the **MFC** is in pairing mode:
    - a. **ANDROID users:**
      - a. Go into the **Settings Menu** of your device
      - b. Enter the **Bluetooth Menu**
      - c. **TURN ON Bluetooth** and press **SCAN**
      - d. **"BOSS AUDIO ATV"** will now be displayed under **AVAILABLE DEVICES**
      - e. If prompted, enter passcode: **"0000"**
    - b. **IOS users:**
      - a. Go into the **Settings Menu** of your **IOS** device
      - b. Enter the **Bluetooth Menu**
      - c. **TURN ON Bluetooth**
      - d. **"BOSS AUDIO ATV"** will now be displayed
      - e. If prompted, enter passcode: **"0000"**
  - 4) If **BOSS AUDIO ATV** is not seen, repeat the above steps and refresh the **"Device List"**
  - 5) You will hear a tone when the connection is successful, you are now ready to stream music from your favorite media player to the **ATVB95LED**
- NOTE:** You have 2 minutes before you must restart this procedure over again.

**9 BEFORE INSTALLING THIS PRODUCT**

To avoid potential shorts in the electrical system, be sure to disconnect the (-) battery cable before installation. Use this unit with a 12-Volt battery and negative grounding only. Failure to do so may result in a fire or malfunction.

When replacing the fuse, be sure to only use a fuse of the rating specified on this product. To avoid short-circuiting, cover any disconnected leads with insulating tape. It is especially important to insulate any unused wires, which if left uncovered may cause a short circuit. When connecting other devices to this product, refer to the manual for the product to be connected. The black cable is ground, make sure to connect the ground wire first. Ensure that the ground wire is properly connected to metal parts of the vehicles body frame or direct to the battery if your vehicle does not have a grounded chassis frame. The ground wire of this units power amp and a second powered system must be connected to the frame separately with different screws. If the screw for the ground wire loosens or falls out, it could result in fire or malfunction.



**CAUTION!!**  
 Mounting straps should be double checked to be sure they are pulled tight and secure before each use of the vehicle.

**2 INFORMATION TO THE USER**

**FCC COMPLIANCE STATEMENT**

This device complies with part 15 of the FCC Rules. Operation is subject to the following two conditions:

- (1) This device may not cause interference, and
- (2) This device must accept any interference, including interference that may cause undesired operation of this device.

This transmitter must not be co-located or operated in conjunction with any other antenna or transmitter. The Bluetooth antenna cannot be removed (or replaced) by user. This equipment complies with FCC/IC radiation exposure limits set forth for an uncontrolled environment and meets the FCC radio frequency (RF) Exposure Guidelines and RSS-102 of the IC radio frequency (RF) Exposure rules. This equipment has very low levels of RF energy that it deemed to comply without maximum permissive exposure evaluation (MPE). But it is desirable that it should be installed and operated keeping the radiator at least 20 cm or more away from person's body (excluding extremities: hands, wrists, feet and ankles). Alteration or modifications carried out without appropriate authorization may invalidate the user's right to operate the equipment.

**NOTE:** This equipment has been tested and found to comply with the limits for a Class B digital device, pursuant to Part 15 of the FCC Rules. These limits are designed to provide reasonable protection against harmful interference in a residential installation. This equipment generates, uses and can radiate radio frequency energy and, if not installed and used in accordance with the instructions, may cause harmful interference to radio communications. However, there is no guarantee that interference will not occur in a particular installation. If this equipment does cause harmful interference to radio or television reception, which can be determined by turning the equipment off and on, the user is encouraged to try to correct the interference by one or more of the following measures:

- Relocate or reorient the receiving antenna.
- Increase the separation between the equipment and receiver.
- Connect the equipment into an outlet on a circuit different from that to which the receiver is connected.
- Consult the dealer or an experienced radio/TV technician for help.

**CAUTION!!**  
 ADJUSTMENT OR ALTERATIONS OF THIS DEVICE MAY RESULT IN HAZARDOUS RADIATION EXPOSURE.

**6 BLUETOOTH OPERATION**

- RECONNECTION**
- 1) Power on the **MFC** and your last paired device Bluetooth.
  - 2) The unit will now automatically reconnect
  - 3) If your device was previously paired with the **MFC**, but it wasn't the last paired device:
    - a. Ensure no other devices are currently paired
    - b. Enter the **Bluetooth Menu** on your device being paired
    - c. **"BOSS AUDIO ATV"** will display under **AVAILABLE DEVICES**
    - d. Choose the **"BOSS AUDIO ATV"** to reconnect
  - 4) If the device is out of range from the **ATVB95LED**. It will disconnect automatically:
    - a. If your device does not reconnect automatically once it is back in range, press **BOSS AUDIO ATV** in your devices **Bluetooth** settings
    - b. The **MFC** will now reconnect to the device
  - 5) If you turn off **BLUETOOTH** on your device, then you must manually press **"BOSS AUDIO ATV"** from your **BLUETOOTH** list to reconnect to the **MFC**
- NOTE: The MFC can remember up to 8 devices, to clear all previously paired devices, press and hold 2 POWER button for 10 seconds**

**10 MULTI-FUNCTION CONTROLLER MOUNTING**

FOR ILLUSTRATION PURPOSES YOUR VEHICLE MAY VARY

**TOOLS NEEDED:**

- Wrench or Pliers
- Allen Wrench

**3 BEFORE YOU START**

**IMPORTANT SAFETY PRECAUTIONS**

- Do not operate mobile equipment while driving a motorized vehicle – safe driving and safety consideration of others should always be your highest priority.
- In the event you should notice smoke, strange noises or odor from this product, or any other abnormal signs, immediately turn off the power and consult your dealer or the nearest authorized **BOSS AUDIO** Service Center. Using this product in this condition may result in permanent damage to the system.
- Set your volume control at a low setting, then slowly increase the sound until you can hear it comfortably without distortion, or ear discomfort.
- BE SURE TO OBSERVE THE FOLLOWING GUIDELINES:**
  - Do not turn up the volume so high that you can't hear what's around you.
  - Use caution or temporarily discontinue use in potentially hazardous situations.

**INSTALLATION PRECAUTIONS**

**WARNING - Always consult a professional installer**

- Do not attempt to install or service this product by yourself. Installation or servicing of this product by persons without professional training and experience in electronic equipment and motorized vehicle accessories may be dangerous and could expose you to the risk of electric shock, injury or other hazards
- Refer any repairs to a qualified **BOSS AUDIO SYSTEMS** Service Center
- The **ATVB95LED** can be powered from a vehicles cigarette lighter / auxiliary power port, or hard wired directly to the battery through an optional relay / accessory switch
- When wiring directly to the vehicles battery, be sure to disconnect the batteries negative terminal wire before starting any wiring procedures, it is suggested that an optional fuse and fuse holder (not included) with minimum rating of **20 Amps** be in line with the positive battery terminal
- The ground cable length should not exceed 18-inches (See wiring diagram)
- The **ATVB95LED** has a weather resistant design, it should not be submerged under water under any circumstances
- Use only the installation parts provided with the **ATVB95LED**
- Ensure the **MFC** is not mounted behind metal
- Do not install the **MFC** next to the vehicles electronics
- Never install this product in a heated location

**7 STREAMING MUSIC**

**MULTIFUNCTION CONTROLLER BLUETOOTH OPERATION**

- 1) Press the **4 PLAY/PAUSE** once to start playing music or press the **PLAY** button from your devices touch screen
- 2) To skip songs or advance, press the **3 NEXT TRACK** button
- 3) To select the previous song, press the **6 PREVIOUS TRACK** button

**VOLUME CONTROL**

- 4) To raise the volume press the **8 VOL UP** button
- 5) To lower the volume press the **7 VOL DOWN** button

**8 AUX-INPUT**

**MULTIFUNCTION CONTROLLER AUX-IN OPERATION**

- 1) Power on the **ATVB95LED** by pressing and holding down the **2 POWER** button for 3 seconds
- 2) Disconnect any paired **Bluetooth** device by turning off **Bluetooth** in your devices **Settings Menu**
- 3) Connect your 3.5mm **AUX-IN** cable located on the front of the **MFC** to your devices headphone jack, the LED will illuminate **RED** color when in **AUX-IN** mode
- 4) Route the wire back to the **MFC**, secure your device in a safe position

**11 WIRE DIAGRAM**

**SPECIFICATIONS**

**BLUETOOTH**

- Version: 3.0 w/ EDR
- ADFP: A2DP
- Range: 33ft (10m) Class 2

**SPEAKERS**

- Dimensions: 8"
- Impedance: 4Ω + 4Ω
- Cone Type: PP CARBON + RESIN CLOTH
- Tweeter Size: 1" PEI SOFT DOME

**AMPLIFIER**

- Maximum Output Power: 700 Watts
- Class: AB
- Input Impedance: 10kΩ
- Frequency Response: 45Hz-25kHz

**GENERAL**

- Operational Power: 14.4VDC (10-16V allowable)
- MAX Current Draw: 13.7A
- USB Charging: 1A @ 5VDC +1.5A
- Replacement Fuse: 10A AGC TYPE
- Color: Black
- Unit Weight: 22.2lbs / 10kg

**Dimensions on View:** 63.50 x 23.00 x 34.50  
 Dimensions inches View: 2.50 x 0.91 x 1.36  
 Storage Temperature: 0°F to 131°F / -18°C to 40°C  
 Operation Temperature: 14°F to 149°F / -10°C to 60°C

SPECIFICATIONS SUBJECT TO CHANGE WITHOUT NOTICE

**4 GETTING TO KNOW YOUR ATVB95LED MULTIFUNCTION CONTROLLER (MFC)**

- 1A USB CHARGING**  
NOT FOR AUDIO PLAYBACK
- 1 MFC - MULTIFUNCTION CONTROLLER
  - 2 LED LIGHTBAR ON/OFF
  - 3 POWER ON/OFF - Press and hold for 3 seconds
  - 4 NEXT TRACK
  - 5 PLAY/PAUSE
  - 6 BLUETOOTH PAIRING INDICATOR - BLUE COLOR
  - 7 PREVIOUS TRACK
  - 8 VOL DOWN
  - 9 VOL UP

**8 AUX-INPUT**

**MULTIFUNCTION CONTROLLER AUX-IN OPERATION**

- 1) Power on the **ATVB95LED** by pressing and holding down the **2 POWER** button for 3 seconds
- 2) Disconnect any paired **Bluetooth** device by turning off **Bluetooth** in your devices **Settings Menu**
- 3) Connect your 3.5mm **AUX-IN** cable located on the front of the **MFC** to your devices headphone jack, the LED will illuminate **RED** color when in **AUX-IN** mode
- 4) Route the wire back to the **MFC**, secure your device in a safe position

**9 BEFORE INSTALLING THIS PRODUCT**

To avoid potential shorts in the electrical system, be sure to disconnect the (-) battery cable before installation. Use this unit with a 12-Volt battery and negative grounding only. Failure to do so may result in a fire or malfunction.

Like us on Facebook!  
 BE THE FIRST TO SEE NEW PRODUCTS!

SHARE YOUR BOSS AUDIO SYSTEM PHOTOS!  
 WATCH FOR CONTEST GIVEAWAYS AND WIN PRIZES!