



BX1120

1997-02 Jeep Wrangler 2003-05 Wrangler Installation Instructions

Serial Number

Please read **BOTH** these Installation Instructions and the General Towing Instructions before attempting to install or operate this equipment.

- Blue Ox® towing products and accessories are intended to be installed by Blue Ox® Dealers who are familiar with our products and have the equipment and knowledge to do “fit work”. When necessary Blue Ox® Dealers can be found at www.blueox.com or by contacting our Customer Care Department at (402) 385-3051.
- Many Blue Ox® baseplates are designed to use existing holes and hardware to mount the baseplate to the towed vehicle. Even though bolts are there, do not assume they are adequate for baseplate mounting. Always use hardware supplied in the hardware kit or existing hardware specified in the Baseplate Towing Installation Instructions.

Attachment Tab Height: 17-3/4”

Attachment Tab Width: 24”

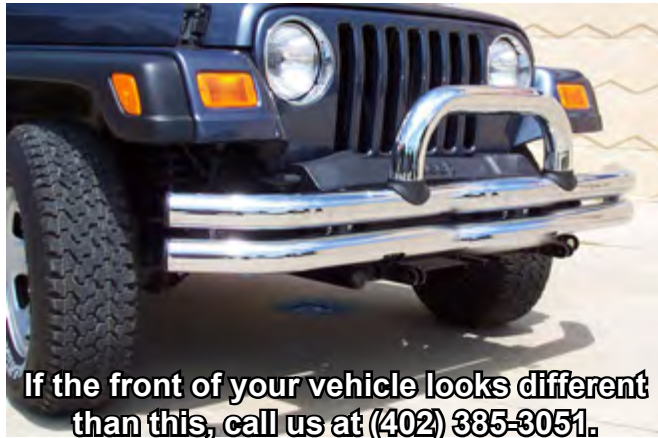
Bolt Torque Specifications
Torque in Foot-Pounds for Metric Bolts

| Bolt Size | Grade 8.8 | Grade 10.9 |
|-----------|-----------|------------|
| 6MM | 6 | 8 |
| 8MM | 16 | 22 |
| 10MM | 31 | 40 |
| 12MM | 54 | 70 |
| 14MM | 89 | 117 |

Confirm the towability and pre-towing procedures for your vehicle with the owner’s manual or contact the vehicle’s manufacturer for specific towing procedures.

Bolt Torque Specifications
Torque in Foot-Pounds for Inch Bolts

| Bolt Size | Grade 5 | Grade 8 |
|-----------|---------|---------|
| 1/4” | 10 | 14 |
| 5/16” | 19 | 29 |
| 3/8” | 33 | 47 |
| 7/16” | 54 | 78 |
| 1/2” | 78 | 119 |
| 5/8” | 154 | 230 |



If the front of your vehicle looks different than this, call us at (402) 385-3051.

! WARNING

Failure to read and follow these instructions could result in separation of the towed vehicle from the tow bar, causing property damage, loss of towed vehicle, personal injury or death.

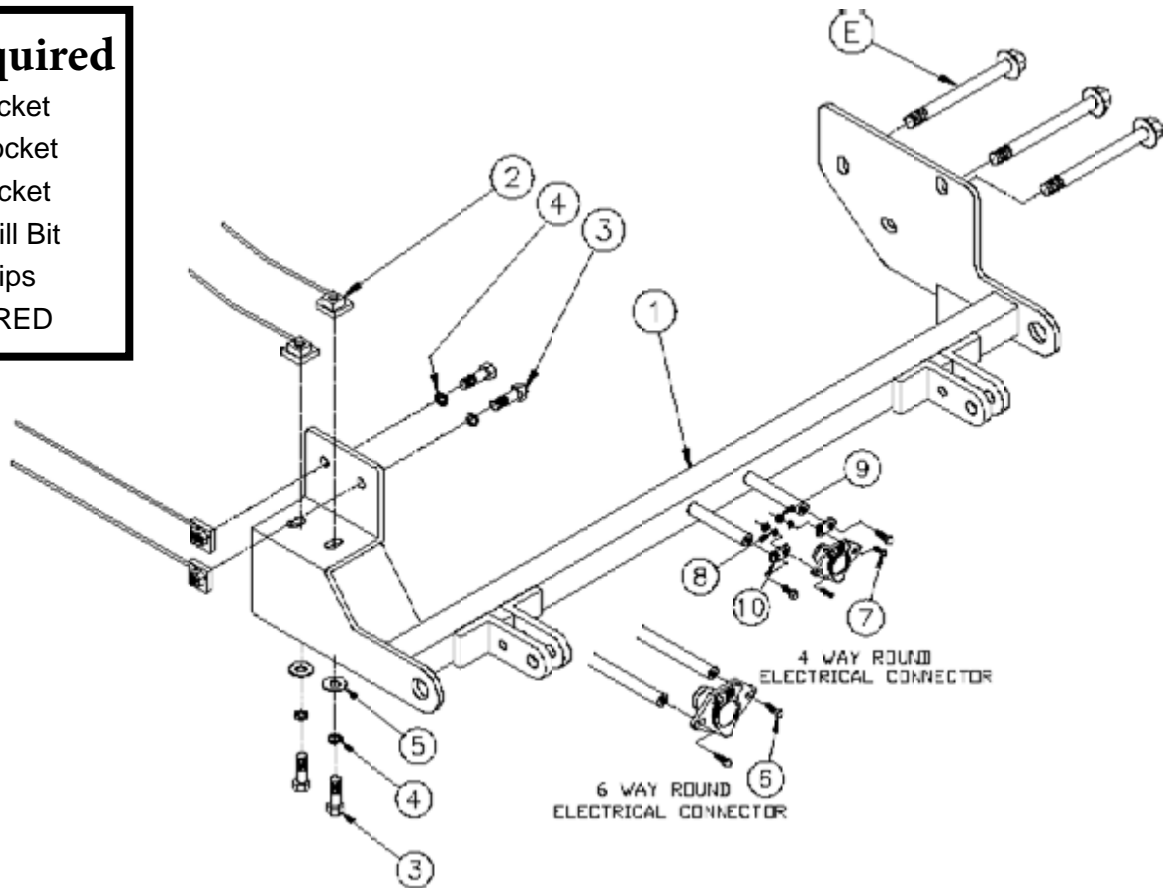
BX1120
1997-02 Jeep Wrangler
2003-05 Wrangler
Installation Instructions

Parts List

| Ref. No. | Qty. | Part # | Description |
|----------|------|----------|--|
| 1 | 1 | 61-5799 | Weldment, Baseplate, BX1120 |
| 2 | 4 | 61-5208 | Weldment, 3/8-16, Nutplate, with 14" Wire |
| 3 | 4 | 201-0440 | 3/8-16 x 1 1/2" Hex Bolt, Grd. 5, ZP |
| 4 | 4 | 203-0010 | 3/8" Lock Washer, ZP |
| 5 | 2 | 203-0003 | 3/8 Flat Washer, ZP |
| 6 | 2 | 201-0553 | 1/4-20 x 1/2" Hx. Wshd, Type F Screw |
| 7 | 2 | 201-0192 | #10-32 x 1/2" Slot, Rd. Hd. Screw |
| 8 | 2 | 203-0054 | #10 Lock Washer |
| 9 | 2 | 202-0047 | #10-32 Hex Nut |
| 10 | 2 | 101-5822 | Adapter, 4 Way Connector |
| | 2 | 226-0046 | Baseplate Safety Cable, 36" CL III (Not Shown) |
| | 2 | 229-0359 | Quicklink, 3/8, ZP (Not Shown) |

Tools Required

7MM Socket
16MM Socket
9/16" Socket
13/32" Drill Bit
Vise Grips
Loctite® RED



Important:

Use only genuine factory replacement parts on your baseplate. Do **NOT** substitute homemade or non-typical parts. If a bolt is lost or in need of replacement, for your safety and the preservation of your baseplate, be sure to use a replacement bolt of the same grade (In most cases it will be Grade 5, please reference the parts list above). Replacement parts may be ordered through your nearest Blue Ox® Dealer or Distributor. Failing to follow and/or altering these installation instructions in either installation or required equipment will void the manufacturer's warranty.

BX1120
1997-02 Jeep Wrangler
2003-05 Wrangler
Installation Instructions

Standard Tabs:

To use certain adapters or a RangeFinder II tow bar in conjunction with standard tab baseplates an additional 5/16" hole must be drilled in the attachment tabs. The Ambassador tow bar will require an adapter for attachment tabs that are not 24" wide. The Adventurer tow bar will require an adapter for attachment tabs that are less than 24" wide. The Acclaim tow bar will not fold and store without the use of an adapter on vehicles with attachment tabs less than 24" wide.

Instructions:

Drilling is required.

The dimensional variations between otherwise identical vehicles can be considerable. While the baseplate was designed for easy installation, it may be necessary to tailor the baseplate slightly to compensate for auto manufacturer's tolerances. These minor adjustments may include filing a hole slightly, bending electrical rods or bending end plates.

The BX8869 Bulb and Socket Wiring Kit is recommended for this vehicle.



1. Remove three (3) metric bolts with the 16MM socket while having someone hold the gear box and the idler arm. Set metric bolts aside to be reinstalled later. Do this to both sides of the vehicle.



2. Hold the baseplate into place and insert the three (3) existing bolts on the driver's side through the baseplate, frame and gear box. Tighten the bolts.

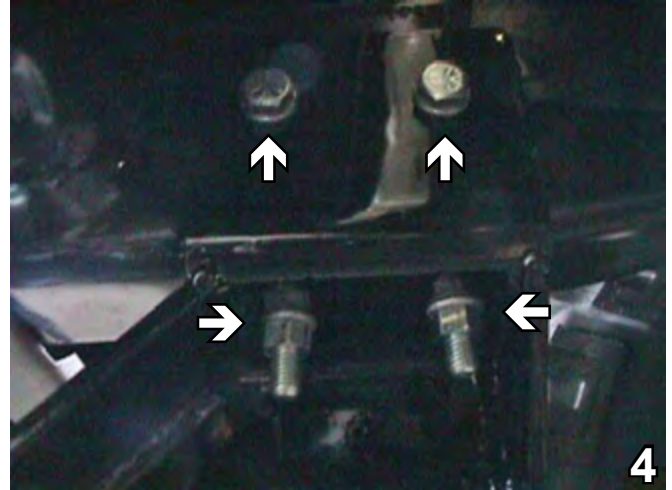
Handling of some cosmetic parts when installing this product may require the use of protective covers, rags, specialty tools, etc. to prevent damage.

BE SURE TO USE LOCTITE® RED ON ALL BOLTS BEFORE TIGHTENING. TIGHTEN ALL BOLTS ACCORDING TO THE TORQUE CHART ON THE FRONT PAGE OF THESE INSTRUCTIONS OR ON PAGE 3 OF THE BASEPLATE TOWING GENERAL INSTRUCTIONS.

BX1120
1997-02 Jeep Wrangler
2003-05 Wrangler
Installation Instructions



3. Clamp the baseplate on the passenger's side with the large vise grips. Using the baseplate as a template, drill four (4) holes with the 13/32" drill bit.



4. Using the 3/8"-16 x 1-1/2" hex bolts, 3/8" lock washers, and 3/8"-16 nut plates, insert the nut plates into the frame and align with the holes. Tighten **ALL** bolts.

When using power drills be aware of the dangers of torque and drill bit length.

Install the tow bar and safety cables according to their instructions. When demonstrating this to the customer, be sure to include all of the Blue Ox packaging and contents.

DO NOT substitute other devices if the tow bar pins and clips are misplaced.



BX1120
1997-02 Jeep Wrangler
2003-05 Wrangler
Installation Instructions

DEALER or INSTALLER:

Be certain the user receives the instruction sheets for their products.



If the baseplate is in an accident, it must be replaced. **DO NOT** use it again! An accident can cause unseen damage and using it again could result in more damage or serious injury. **DO NOT** use the baseplate if it is damaged or missing parts.

CUSTOMER SERVICE COMMITMENT

Blue Ox is committed to providing you with exceptional customer care throughout your lifetime with our products. Our team is here to assist you with any questions you may have regarding the performance of your product. Simply call 1-(402) 385-3051 and you can speak with our customer care team.

Additionally, please visit our website to see which rallies our Destination America team will be attending. For a nominal fee, our service technician will service your towing system to ensure it's in proper working condition. Also, as a commitment to our customers, should you visit our factory you can stay at our full service Blue Ox campground at no charge along with enjoying a factory tour.

Again, thank you for being our customer and for the confidence you have shown in the performance of our products. It is because of customers like you we enjoy the success we have today.



© 2005, 07, 08, 09, 10, 11 Blue Ox
One Mill Road, Industrial Park
Pender, Nebraska 68047
Phone: (402) 385-3051
Toll Free: (800)228-9289
Fax: (402) 385-3360
www.blueox.com
5/4/10