

BLUE OX®

Baseplates

BX1835

2005 Infiniti QX56

Installation Instructions

Serial Number

Please read BOTH the Installation Instructions and these General Instructions before attempting to install or operate this equipment.

- Blue Ox® towing products and accessories are intended to be installed by Blue Ox® Dealers who are familiar with our products and have the equipment and knowledge to do “fit work”. When necessary Blue Ox® Dealers can be found at www.blueox.us or by contacting our 24/7 Customer Care Department at (402) 385-3051.
- Many Blue Ox® Baseplates are designed to use existing holes and hardware to mount the baseplate to the towed vehicle. Even though bolts are there, do not assume they are adequate for baseplate mounting. Always use hardware supplied in the hardware kit or existing hardware specified in the Baseplate Towing Installation Instructions.

Attachment Tab Height: 22”

Attachment Tab Width: 20”

Bolt Torque Specifications
Torque in Foot-Pounds per Metric Bolts

Bolt Size	Grade 8.8	Grade 10.9
6MM	6	8
8MM	16	22
10MM	31	40
12MM	54	70
14MM	89	117

Confirm the towability and pre-towing procedures for your vehicle with the owner’s manual or contact the vehicle’s manufacturer for specific towing procedures. You can also contact REMCO for additional information at 1(800)228-2481.

Bolt Torque Specifications
Torque in Foot-Pounds per Inch Bolts

Bolt Size	Grade 5	Grade 8
1/4”	10	14
5/16”	19	29
3/8”	33	47
7/16”	54	78
1/2”	78	119
5/8”	154	230



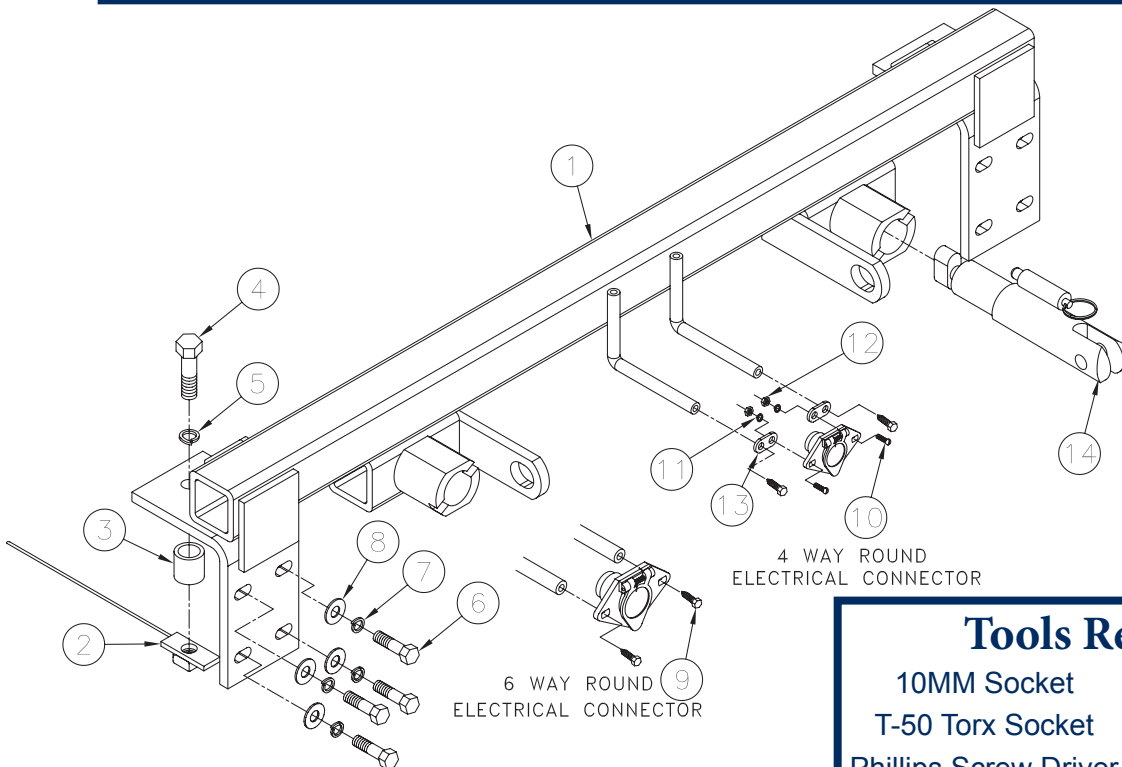
WARNING

Failure to read and follow these instructions could result in separation of the towed vehicle from the tow bar, causing property damage, loss of towed vehicle, personal injury or death.

BX1835 2005 Infiniti QX56 Installation Instructions

Parts List

Ref. No.	Qty.	Part #	Description
1	1	61-6151	Weldment, Baseplate, BX1835
2	2	61-5496	1/2" Nut Plate, with 18" Wire
3	2	107-2681	Spacer Tube, BX1831
4	2	201-0153	1/2-13x2 1/2" Bolt, Grd. 5 ZP
5	2	203-0012	1/2" Lock Washer, ZP
6	8	201-0495	10MM-1.25x45mm Hex Bolt, Grd. 8.8, ZP
7	8	203-0104	10MM Lock Washer, ZP
8	8	203-0003	3/8" Flat Washer, ZP
9	2	201-0553	1/4-20x1/2 Hx. Wshd, Type F Screw
10	2	202-0047	#10-32 Hex Nut
11	2	203-0054	#10 Lock Washer
12	2	201-0192	#10-32x 1/2 Slot Rd. Hc. Screw
13	2	101-5822	Adapter, 4 Way Connector
14	2	62-3468	Attachment, Assembly, SF/SB (R)
15	2	290-0437	Receiver, Cap Plug, Black, (Not Shown)



Tools Required

10MM Socket	Loctite® RED
T-50 Torx Socket	3/4" Socket
Phillips Screw Driver	17/32" Drill Bit
12MM Socket	Vise Grip

Important:

Use only genuine factory replacement parts on your baseplate. Do **NOT** substitute homemade or non-typical parts. If a bolt is lost or in need of replacement, for your safety and the preservation of your baseplate, be sure to use a replacement bolt of the same grade (In most cases it will be Grade 5, please reference the parts list above). Replacement parts may be ordered through your nearest Blue Ox® Dealer or Distributor.

BX1835

2005 Infiniti QX56

Installation Instructions

Vehicle Weight:

The weight of this vehicle is near the Class III 5,000lb rating limitations. The 10,000 lb rated Aventa® II or Aventa® LX tow bars must be used for these applications. Tow bar adapters are not to be used with vehicles weighing over 5,000lbs.

Instructions:

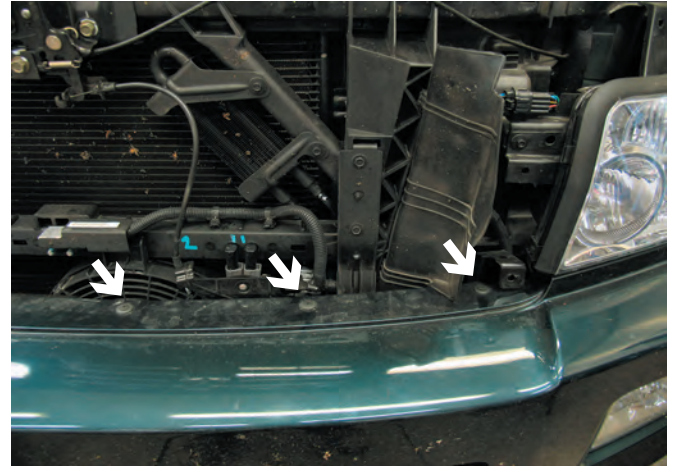
The front fascia, fascia brace and metal bumper are removed for the baseplate installation. Drilling is required. The tow hooks and tow hook covers are removed and not reinstalled on the vehicle. Installer, be sure the tow hooks, covers and push pins are returned to the customer.

Some vehicles fascias may need trimming. The dimensional variations between otherwise identical vehicles can be considerable. While the baseplate was designed for easy installation, it may be necessary to tailor the baseplate slightly to compensate for auto manufacturers' tolerances. These minor adjustments may include filing a hole slightly, bending electrical rods, and/ or bending endplates.

The Bx8869 Bulb and Socket Wiring Kit is recommended for this vehicle.



1. Remove 4 push pins from the front fascia near each headlight housing.
(The driver's side of the vehicle is shown).



2. Remove 3 push pins from the front fascia on both sides of the vehicle. Just inside headlight assembly.
(The driver's side of the vehicle is shown).



3. Just forward of the front tires, in the wheel well, remove 2 Phillips screws.
(The driver's side is shown.)

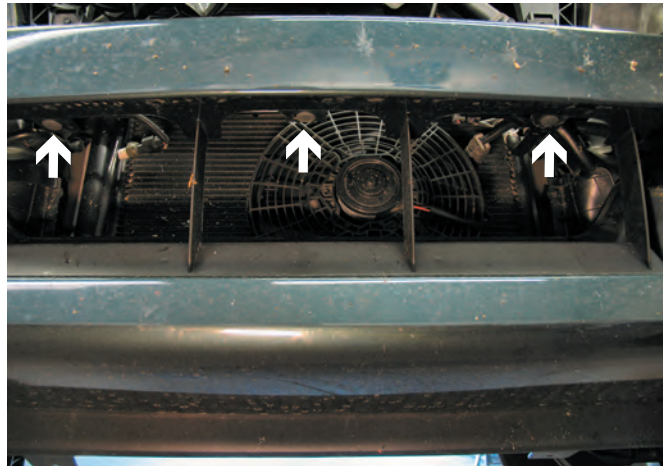
BX1835

2005 Infiniti QX56

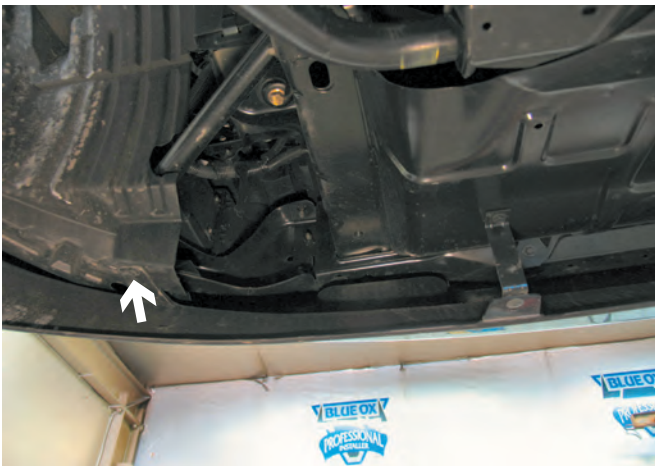
Installation Instructions



4. Using a 10MM Socket, remove 1 metric bolt located in the wheel well. Set this bolt aside. This is done on both sides. (The driver's side is shown).



7. Remove 3 push pins from the inside of front fascia. You will need to pull the fascia corners out to the side of the vehicle first. Then release the clips on the fascia's side and below the headlight assembly, then pull the fascia forward and set it aside.



5. Using a 10MM Socket, remove 1 metric bolt and set aside. This is done on both sides. (The driver's side is shown).



8. Remove the 3 push pins on top of the Styrofoam, pull forward and set the Styrofoam aside. (The driver's side is shown.)

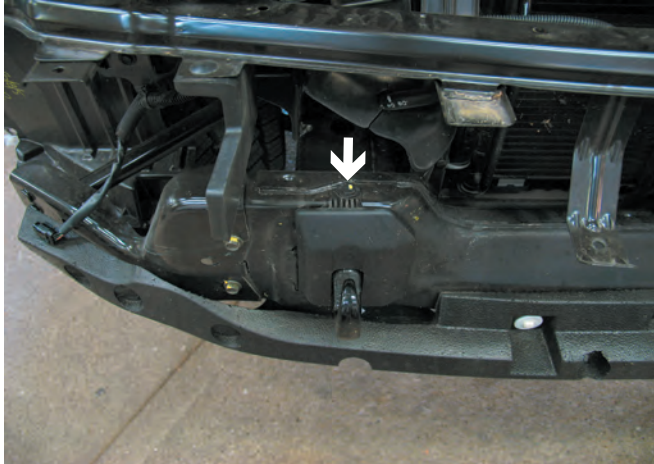


6. Remove 2 Phillips push pins from the underside of the front fascia below the belly pan. (The driver's side is shown.)

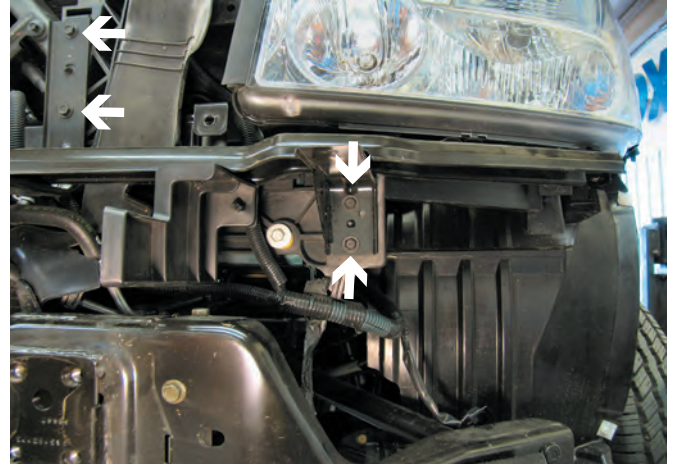
BX1835

2005 Infiniti QX56

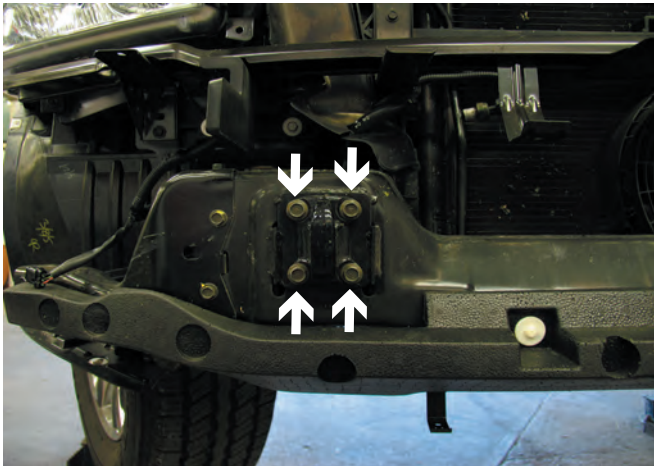
Installation Instructions



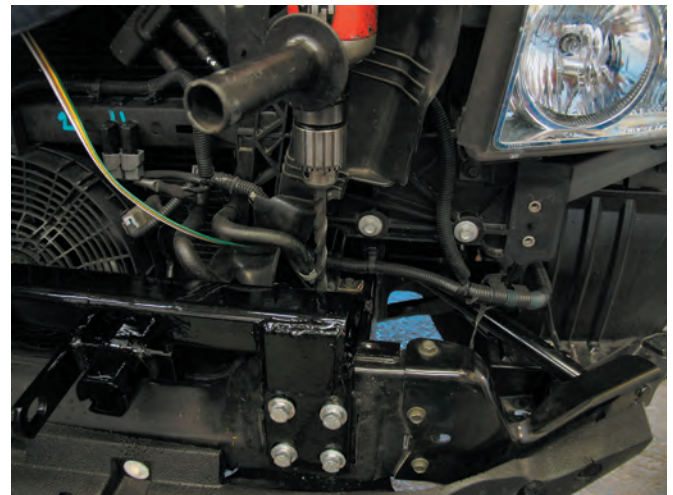
9. Remove push pin on top of where the tow hook attaches to the metal bumper. Take plastic cover off and set aside (please remember to return these to the customer as they are **NOT** reinstalled on the vehicle). This is done on both sides of the vehicle. (The passenger's side is shown).**



11. Remove 8 metric bolts with a 10MM Socket from the metal fascia support bracket, 4 metric bolts need to be removed from the hood latch. Which located right behind the metal fascia support bracket. Remove bolts from both sides. Pull forward on the bracket to remove it and set it aside. (The driver's side is shown.)**



10. With a 14MM Socket remove the 4 metric bolts from the tow hooks on both sides of the vehicle. Remove the tow hooks and set aside (please remember to return these to the customer as they are **NOT** reinstalled on the vehicle). This needs to be done on both sides of the vehicle.** (The passenger's side is shown.)



12. Align the baseplate with tow hook bolt locations. Finger tighten the 201-0153 hex bolts with lock washers. Slide 107-2681 between the top of the frame and back hole in baseplate. Tighten the 8-201-0153 hex bolts. Using the baseplate as a template, drill the back hole of the baseplate into the top of the frame with 17/32" drill bit, this will need to be done on both sides of the vehicle. Then install the last bolt.**

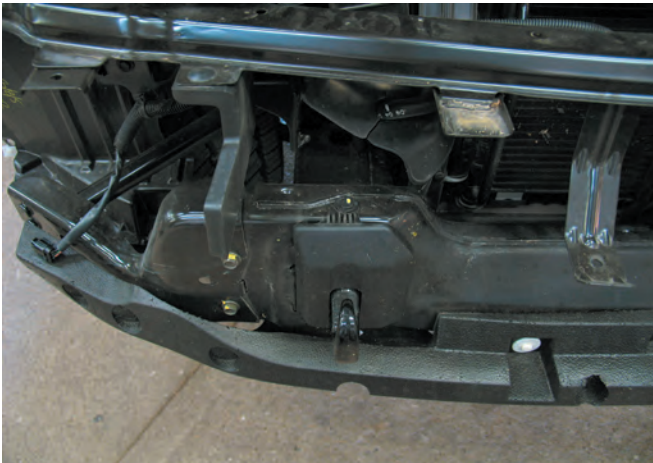
**** BE SURE TO USE LOCTITE® RED ON ALL BOLTS BEFORE TIGHTENING. TIGHTEN ALL BOLTS ACCORDING TO THE TORQUE CHART ON THE FRONT PAGE OF THESE INSTRUCTIONS OR ON PAGE 3 OF THE BASEPLATE TOWING GENERAL INSTRUCTIONS.**

Be sure that ALL electrical connections are plugged in properly and functioning BEFORE Installing the fascia.

BX1835

2005 Infiniti QX56

Installation Instructions



13. Reinstall the metal fascia support bracket. Please reference instructions on previous pages. (Step #11)



14. Reinstall the Styrofoam bumper. Please reference instructions on previous pages. (Step #8)



15. Reinstall the front fascia per instructions on previous pages. (Steps #1-7)

16. Install the tow bar and safety cables according to the instructions when demonstrating this to the customer. Be sure to include all the contents and packages.
17. Do **NOT** substitute other devices if the tow bar pins and clips are misplaced.

DEALER or INSTALLER:

Be certain the user receives the instructions sheets for their products.

Customer Service Commitment

Blue Ox® is focused on providing exemplary customer service, as observed in our mission statement and guiding principles. In accordance with this objective, Blue Ox® is proud to provide services such as repairs and general maintenance of Blue Ox® products at over 150 RV Rallies. Look for our Destination America or Blue Ox® Racing service crews at the next rally or race that you attend. If you were not present, you will find an informative, personalized note explaining any services that may have been performed to your Blue Ox® products.

Blue Ox® also offers educational seminars at rallies and through our Park and Resort teams. In addition, Blue Ox® customers visiting our factory may take advantage of the well-equipped Blue Ox® RV park at no charge to you, our valued and appreciated customer.



© 2005, 06 Blue Ox
One Mill Road, Industrial Park
Pender, Nebraska 68047

Phone: (402) 385-3051 • Fax: (402) 385-3360

www.blueox.us
292-2756