



BX1989 Installation Instructions

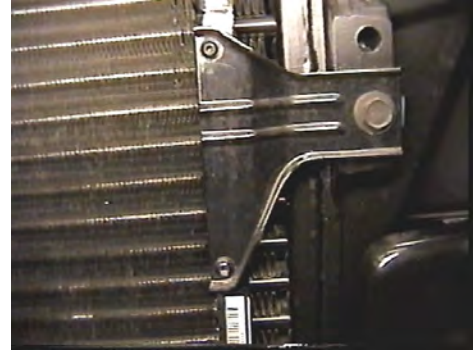
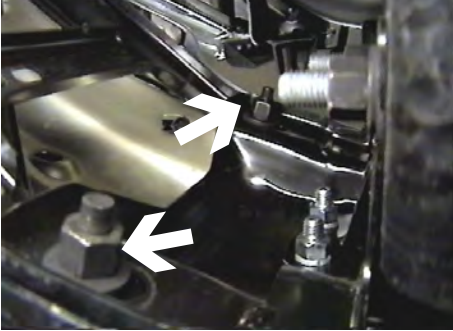
2003-12 Dodge Ram 2500

2003-12 Dodge Ram 3500

Serial No.

Strong As An Ox™

The front metal bumper and tow hooks are removed for baseplate installation. Tow hooks will be reinstalled. On vehicles that do not have tow hooks, plastic insert on bumper opening will need to remove. No holes to drill. The BX8869 is available for the vehicle. Attachment Tabs are 24 inches center to center and a height of 25 1/2 inches.



1. Using the 18MM socket, remove six metric nuts from the back side of metal bumper. Pull bumper forward, unplug electrical and set aside.

2. Remove metric bolt with the 13MM and two torx screw's with the 20 torx from radiator support on driver's side and set aside. Remove radiator bracket on passenger's side to open area for tow hook removal.



3. Remove four torx bolts from tow hooks with the 50 torx and 18MM socket, both sides. Set tow hooks aside.



4. Insert item 2 into tow hook, item 1, bumper brace and tighten items 3 and 4, according to drawing on last page. **If tow hooks are not available, use item 3 bolts. Be sure and use loctite on all bolts before tightening. Tighten all bolts according to torque chart in General Instruction Sheet.**

5. Reinstall metal bumper. Be sure all electrical component are plugged in properly. Models without tow hook will need to have plastic insert in bumper opening removed.

6. The dimensional variations between otherwise identical cars can be considerable. While the location and size of the holes in the baseplate were designed to allow for easy installation, it may be necessary to file a hole slightly to allow a bolt to clear.

7. Install the tow bar and safety cables according to the instructions included in their packages.

8. Do **not** substitute other devices if the tow bar pin and clip are lost.

9. **DEALER OR INSTALLER: BE CERTAIN THE USER RECEIVES THE INSTRUCTION SHEET.**



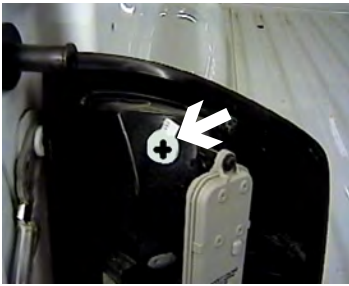
Strong As An Ox™

Tools Required

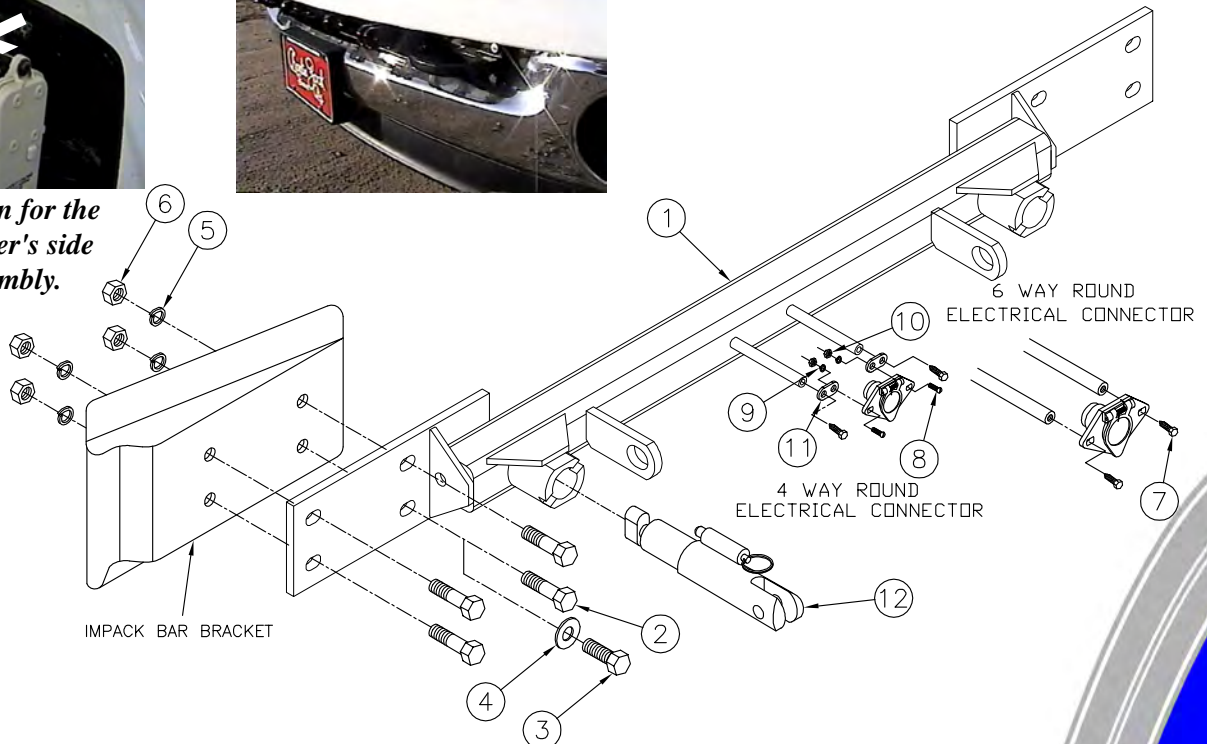
13MM Socket/Wrench	5/8" Socket/Wrench	Torx 20
18MM Socket/Wrench	11/16" Socket/Wrench	Torx 50
Loctite		

Parts List

Ref. No.	Qty.	Part No.	Description
1	1	61-6720	Weldment, BP, BX1989
2	8	201-0552	7/16-14 X 2 HH Bolt
3	8	201-0416	7/16-14 X 1 1/2 Hex Bolt Grd.5 ZP.
4	8	203-0004	7/16 Flat Washer, ZP
5	8	203-0011	7/16 Lock Washer, ZP
6	8	202-0128	7/16-14 Nylon Lock Nut
7	2	201-0553	1/4-20 x 1/2 Hx. Wshd, Type F Screw
8	2	201-0192	#10-32 x 1/2 Slot, Rd. Hd. Screw
9	2	203-0054	#10 Lock Washer
10	2	202-0047	#10-32 Hex Nut
11	2	101-5822	Adapter, 4 Way Connector
12	2	62-3468	Attachment Tab Assembly, Rem, SF/SB, 1 Hole
	2	226-0049	Baseplate Safety Cable, 36" CL IV (Not Shown)
	4	229-0512	Quicklink, 1/2, ZP (Not Shown)
	2	290-0437	Receiver, Cap Plug (Blk) (Not Shown)



Possible Location for the BX8869 on driver's side tail light assembly.



IMPORTANT: Use only genuine factory replacement parts on your Base Plate. Do not substitute homemade or nontypical parts. If a bolt is lost or in need of replacement, for your safety and the preservation of your Base Plate, be sure to use a replacement bolt of the same grade (Usually Grade 5, refer to parts list). Repair parts may be ordered through your nearest **Blue Ox** dealer or distributor. Failing to follow and/or altering these installation instructions in either installation or required equipment will void the manufacturer's warranty. Towing behind a non-motorized vehicle will void the warranty.