



# BX3837

## 2016-18 VW Golf GTI Installation Instructions

**Attachment Tab Height: 14"**

**Attachment Tab Width: 24"**

**Serial Number**

**Please read BOTH these Installation Instructions and the General Information sheet prior to installing or operating this equipment.**

1. Blue Ox® towing products and accessories are intended to be installed by Blue Ox® Dealers who are familiar with our products and have the equipment and knowledge necessary to do "fit work". If needed, Blue Ox® Dealers can be found at [www.blueox.com](http://www.blueox.com) or by contacting our Technical Service Department at (402) 385-3051.
2. Many Blue Ox® baseplates are designed to use existing holes and hardware to mount the baseplate to the towed vehicle. Even though bolts are there, do not assume they are adequate for baseplate mounting. Always use the hardware supplied in the hardware kit and existing hardware as specified in the installation instructions.



If the front of your vehicle looks different than this, please contact us at (402)385-3051.

**Reference your vehicle owner's manual for manufacturer's towing specifications.**

### Bolt Torque Specifications

Torque in Foot-Pounds for Inch Bolts

Bolt Size	Grade 5	Grade 8
1/4"	10	14
5/16"	19	29
3/8"	33	47
7/16"	54	78
1/2"	78	119
5/8"	154	230
3/4"	257	380

### Bolt Torque Specifications

Torque in Foot-Pounds for Metric Bolts

Bolt Size	Grade 8.8	Grade 10.9
6MM	6	8
8MM	16	22
10MM	31	40
12MM	54	70
14MM	89	117
16MM	161	230
18MM	222	318



## WARNING

Failure to read and follow these instructions could result in separation of the towed vehicle from the tow bar, causing property damage, loss of towed vehicle, personal injury or death.

BX3837  
2016-17 VW Golf GTI  
Installation Instructions

**Instruction Notes:** The grille, fascia, DS headlight, bumper and windshield washer fluid reservoir are removed and reinstalled for the baseplate installation. Some drilling and trimming is required.

Place all components that are removed on a flat, sturdy surface. All items will be reinstalled unless otherwise noted after the baseplate is installed.

The dimensional variations between otherwise identical vehicles can be considerable. While the baseplate was designed for easy installation, it may be necessary to tailor the baseplate slightly to compensate for vehicle manufacturer's tolerances.

The BX8869 Tail Light Wiring Kit is recommended for this vehicle.



Drill a hole according to the tail light wiring kit instructions.

### **NOTICE**

- Handling of some cosmetic parts when installing this product may require the use of protective covers, rags, specialty tools, etc. to prevent damage.
- When using power drills be aware of the dangers of torque and drill bit length.
- When using a reciprocating saw be aware of objects behind the cutting surface.
- Use a good quality paint to spray cut edges of frame to prevent rusting.
- Be sure that **ALL** electrical connections are plugged in and accessories are functioning properly before reinstalling the fascia.
- The baseplate is computer tested to your vehicle's GVWR, exceeding this weight will void the manufacturer's warranty.
- Be sure to use a sufficient amount of Loctite® Red on all bolt threads before tightening. Tighten all bolts according to the torque chart provided.
- Dealer or installer be certain the user receives these instruction sheets.
- If the baseplate is in an accident, it must be replaced. **DO NOT** use it again! An accident can cause unseen damage and using it again could result in more damage or serious injury. **DO NOT** use the baseplate if it is damaged or missing parts.

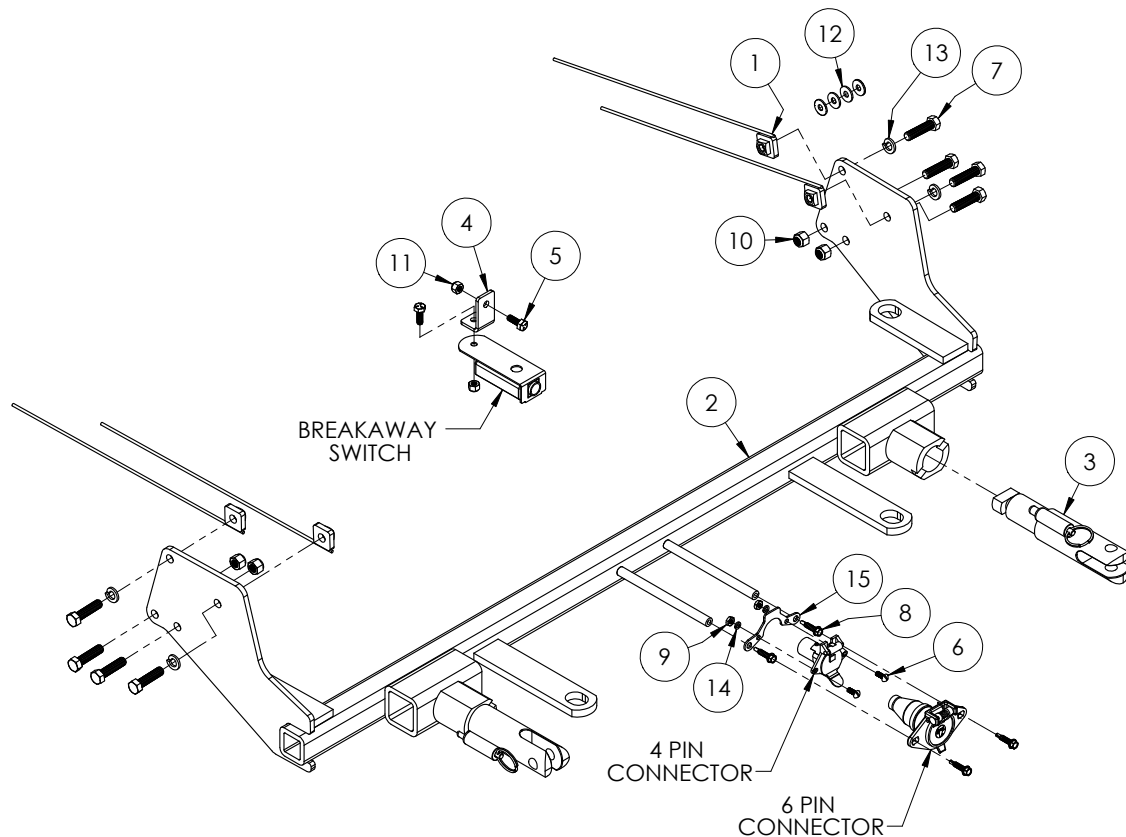
# BX3837

## 2016-17 VW Golf GTI

### Installation Instructions

#### **Tools Required**

Large Vise Grip  
 Flat Screwdriver  
 Utility Knife  
 Torque Wrench  
 Drill  
 Reciprocating Saw  
 Tape Measure  
 Loctite® RED  
 3/8" Drill Bit  
 1-1/4" Hole Saw  
 10MM Socket  
 16MM Socket  
 7/16" Socket  
 7/16" Wrench  
 9/16" Socket  
 T25 Torx  
 T30 Torx



Item No.	Part No.	Description	Qty.
1.....	61-5208 .....	3/8" Nut Plate w/ 14" Wire .....	4
2.....	61-7704 .....	BX3837 Baseplate.....	1
3.....	62-3468 .....	Attachment Tab Assembly with Hole .....	2
4.....	102-7355 .....	Breakaway Bracket .....	1
5.....	201-0050 .....	1/4"-20 x 3/4" Hex Head Bolt, Grade 5, ZP .....	2
6.....	201-0192 .....	#10-32 1/2" Round Slotted Head Screw.....	2
7.....	201-0440 .....	3/8"-16 x 1-1/2" Hex Head Bolt, Grade 5, ZP .....	8
8.....	201-0979 .....	#12-14 x 1" Self Drilling Screw, ZP.....	2
9.....	202-0047 .....	#10-32 Hex Nut .....	2
10.....	202-0090 .....	3/8"-16 Hex Nylon Insert Lock Nut, ZP.....	4
11.....	202-0102 .....	1/4"-20 Hex Nylon Nut, ZP .....	2
12.....	203-0001 .....	1/4" Flat Washer, ZP.....	4
13.....	203-0010 .....	3/8" Lock Washer, ZP .....	4
14.....	203-0054 .....	#10 Lock Washer, ZP .....	2
15.....	299-0685 .....	4-Way Bracket.....	1
16.....	226-0046(not shown) .....	Class III Safety Cables .....	2
17.....	229-0359(not shown) .....	3/8" Quicklink, ZP .....	2
18.....	290-0437(not shown) .....	Black Cap Plug Receiver.....	2

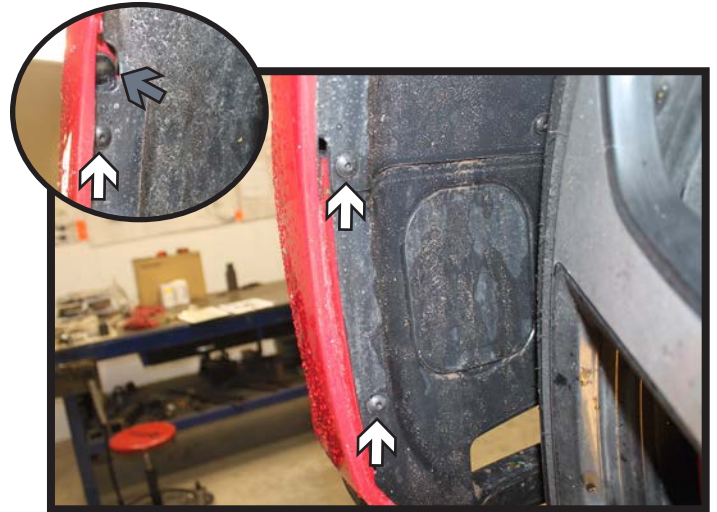
#### **Important:**

Use only genuine factory replacement parts on your baseplate. Do **NOT** substitute homemade or non-typical parts. If a bolt is lost or in need of replacement, for your safety and the preservation of your baseplate, be sure to use a replacement bolt of the same grade (In most cases it will be Grade 5, please reference the parts list above). Replacement parts may be ordered through your nearest Blue Ox® Dealer or Distributor. Failing to follow and/or altering these installation instructions in either installation or required equipment will void the manufacturer's warranty. Towing behind a non-motorized vehicle will void the warranty.

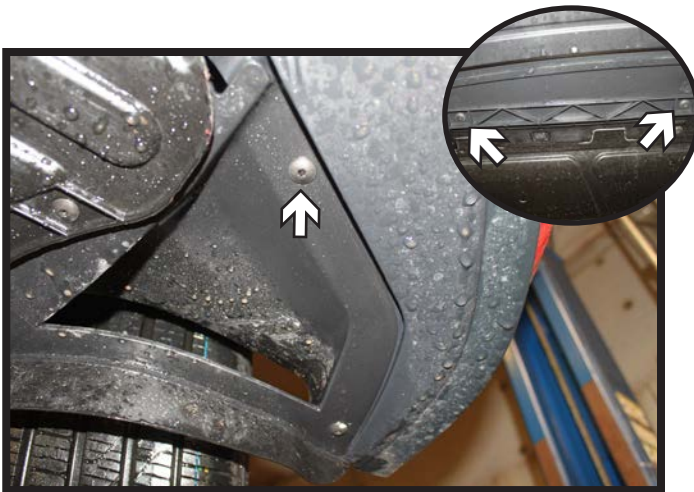
BX3837  
2016-17 VW Golf GTI  
Installation Instructions



1. Using a T25 Torx, remove the two (2) screws from the top edge of the grille. There is one (1) on each side. Unsnap the grille from the vehicle and set aside.



2. Using a T25 Torx, remove the four (4) screws from the wheel well. There are three (3) along the edge (white) and one (1) at the fascia joint (gray). Do this on both sides of the vehicle.



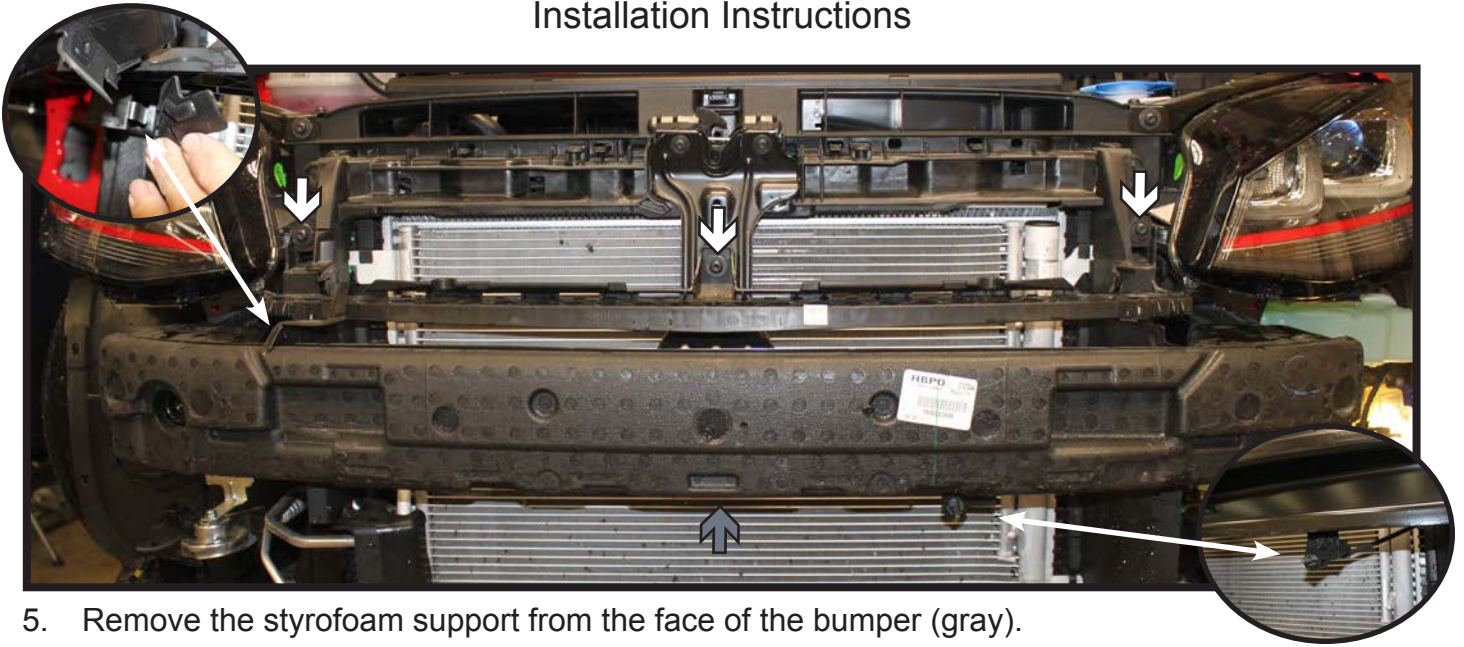
3. Using a T25 Torx, remove the seven (7) screws from the underside of the fascia. There are two (2) on each side in each corner and three (3) across the middle. Remove the fascia from the vehicle, disconnecting any electrical connections and set aside.



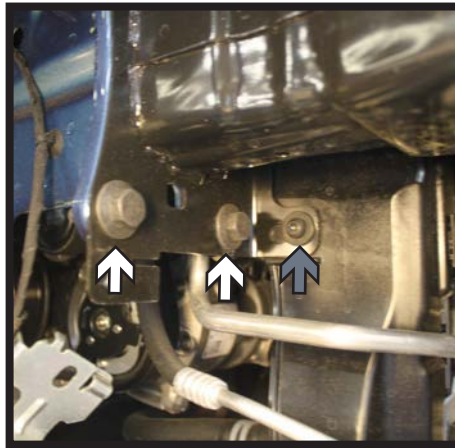
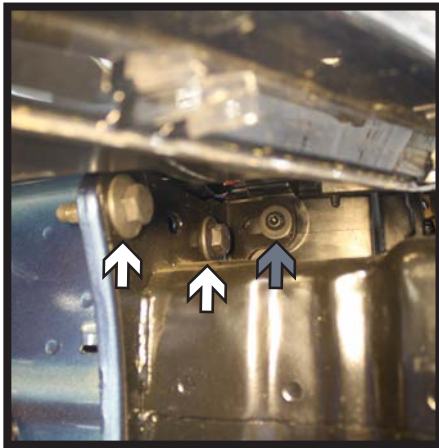
4. Using a 5/16" Allen socket or wrench, remove the screw from the horn bracket and set the horn assembly aside. Do this on both sides of the vehicle.



BX3837  
2016-17 VW Golf GTI  
Installation Instructions

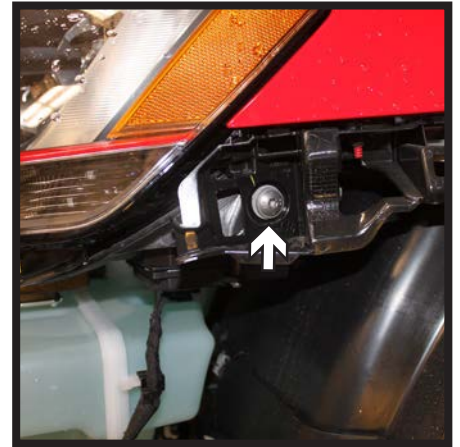


5. Remove the styrofoam support from the face of the bumper (gray).  
Unsnap the temperature sensor from the bottom side of the bumper and set aside.  
Using a T30 Torx, remove the three (3) screws from the fascia brace (white). Unsnap the clips on either side of the brace and set the brace aside.

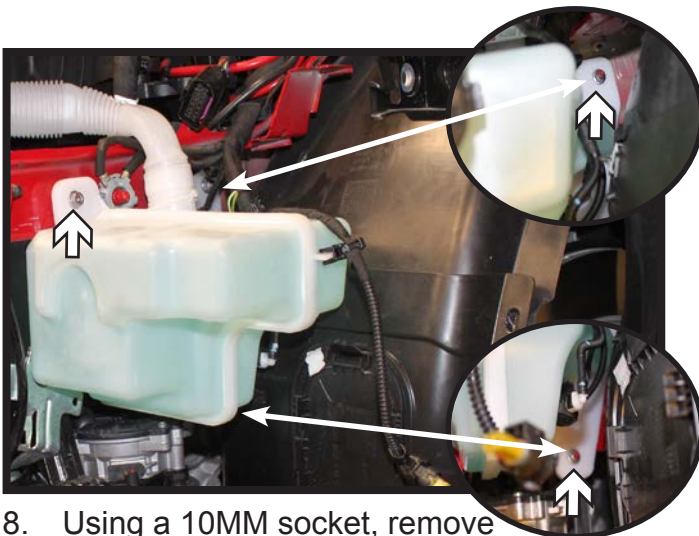


6. Using a 16MM socket, remove the eight (8) bolts from the bumper. There are four (4) on each side, two (2) on top & two (2) on bottom (white).  
Using a T30 Torx, remove the six (6) screws from bumper. There are two (2) on each side, one (1) on top & one (1) on bottom and two (2) on the upper support in the middle (gray).  
Set the bumper aside.

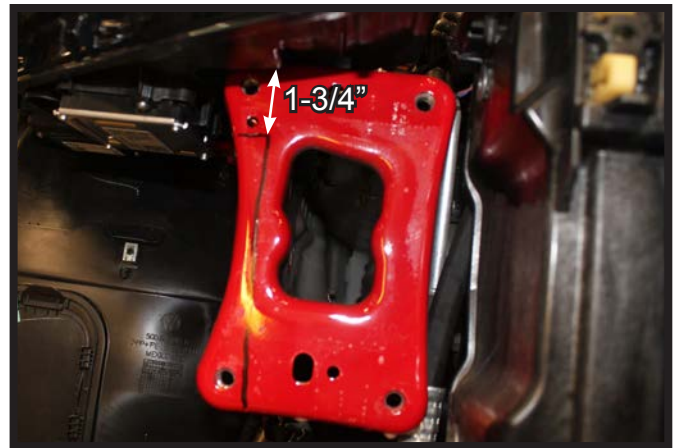
BX3837  
2016-17 VW Golf GTI  
Installation Instructions



7. Using a T30 Torx, remove the three (3) screws from the driver side headlight. There are two (2) on the top side (left & middle) and one (1) on the side (right). Disconnect any electrical lines and set the headlight aside.



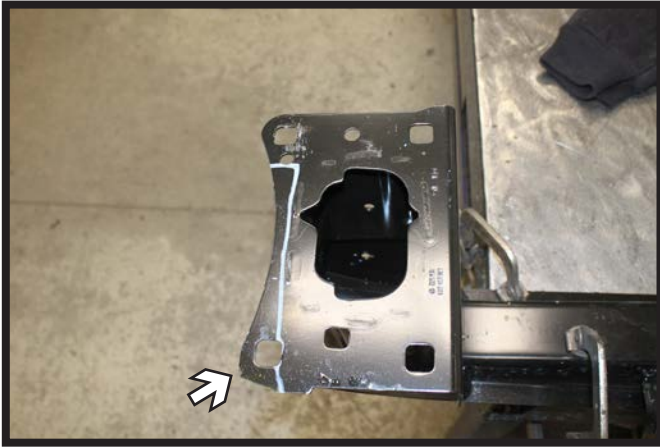
8. Using a 10MM socket, remove the three (3) nuts from the washer reservoir. Disconnect/plug all lines and set the reservoir aside.



9. Using a reciprocating saw, trim the outer flange of the frame down 1-3/4" from the top and back to the face of the frame down through the bottom lip. Do this on both sides of the vehicle.



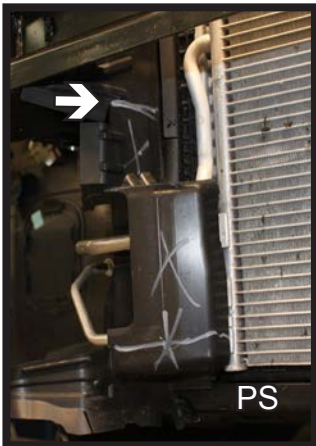
BX3837  
2016-17 VW Golf GTI  
Installation Instructions



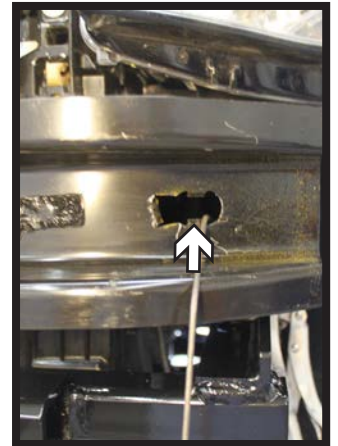
10. Temporarily reinstall the bumper. Mark the backside of the mounting flange along the cuts of the frame. Remove and trim these areas on both sides of the bumper with a reciprocating saw.



11. Fully reinstall the bumper to the vehicle. Reinstall the plastic fascia brace and styrofoam support.



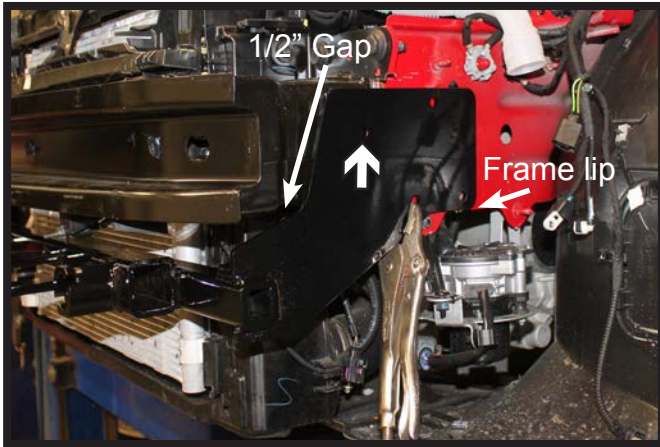
12. Trim the plastic shielding off just below the bumper on both sides of the vehicle. The shielding is not reinstalled.



13. Using a 1-1/4" hole saw, drill an access hole on the underside of the bumper on the passenger side only (left).

Using a reciprocating saw, enlarge the existing hole on the driver side of the bumper (right).

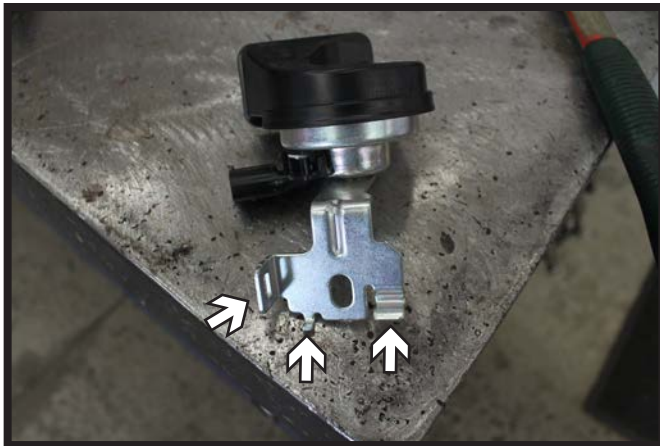
BX3837  
2016-17 VW Golf GTI  
Installation Instructions



14. Position the baseplate on the vehicle so there is an approximate 1/2" gap between the baseplate and back of the bumper with the baseplate sitting on the lip of the frame. Level and clamp the baseplate.

Using a 3/8" drill bit, drill the front top hole thru the bumper and install the 3/8" hardware. Do this on both sides of the vehicle. Fully tighten all hardware.

\*\* Use Loctite® Red on all bolt threads and tighten all bolts to the appropriate torque.



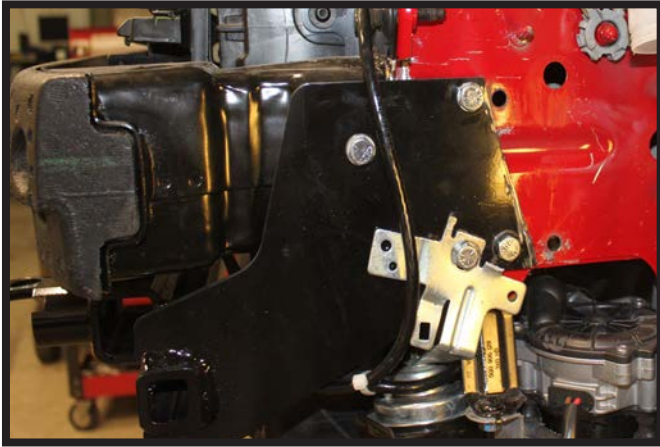
15. Prior to drilling and installing the remainder of the baseplate bolts, flatten the three (3) tabs of the horn brackets (upper left) so it will sit flat on the face of the side plate. Also it may be necessary to ream out the slot to accommodate the hardware (lower left).

Continue drilling the remaining baseplate holes thru the frame on each side of the vehicle. Install the 3/8" hardware into the holes with the horn assemblies attaching to the lower rear hole (right). Fully tighten all hardware.

\*\* Use Loctite® Red on all bolt threads and tighten all bolts to the appropriate torque.



BX3837  
2016-17 VW Golf GTI  
Installation Instructions



16. Attach the permanent baseplate safety cables to the provided convenience link on the baseplate. The photo above shows the recommended installation of the cables to frame of vehicle. Additional options may interfere with suggested mounting; in this case, secure the cables to a solid piece of the frame as described in the General Information sheet. Be sure the safety cables do not rub against any hoses or moving parts. Do this on **BOTH** sides of the vehicle.



17. Reinstall the washer reservoir using four (4) flat washer on the top left stud in between the tank and frame. This will space the tank out so it clears the baseplate.

Reinstall the driver side headlight and temperature sensor.



18. **Optional Breakaway:** Position the bracket in the desired location along the bottom lip of the bumper. Clamp and drill a 5/16" hole thru the bumper. Install the bracket to the vehicle with the supplied 1/4" hardware.



19. On the backside of the fascia, remove the plastic covers on both sides.

BX3837  
2016-17 VW Golf GTI  
Installation Instructions



20. Hold the fascia as close to its original position, mark and trim the fascia around the convenience links and attachment tabs. Reinstall the fascia and fascia cover.

## CUSTOMER SERVICE COMMITMENT

Blue Ox® is committed to providing you with exceptional customer care throughout your lifetime with our products. Our team is here to assist you with any questions you may have regarding the performance of your product. Simply call (402) 385-3051 and you can speak with our technical service team.

Additionally, please visit our website to see which rallies our Destination America team will be attending. For a nominal fee, our service technician will service your towing system to ensure it's in proper working condition. Also, as a commitment to our customers, should you visit our factory, you can stay at our full service Blue Ox® campground at no charge along with enjoying a factory tour.

Again, thank you for being our customer and for the confidence you have shown in the performance of our products. It is because of customers like you we enjoy the success we have today.

© 2016 Blue Ox  
One Mill Road, Industrial Park  
Pender, Nebraska 68047  
Phone: (402) 385-3051  
Fax: (402) 385-3360  
[www.blueox.com](http://www.blueox.com)

# General Information

1. Ensure that your product(s) are registered online at [www.blueox.com](http://www.blueox.com). It is crucial to register your product(s) so that you may be alerted of product offerings, updates, upgrades, maintenance and safety bulletins, and/or recalls.
2. **It is the owner's responsibility to inspect all towing equipment for cracked welds, missing or worn parts and loose bolts before each towing trip.** Be sure to use Loctite® Red on all bolts and tighten to the recommended specifications.
3. **It is the owner's responsibility to hook up all towing equipment per manufacturer's instructions/recommendations.**
4. Remove the attachment tabs when not in use (if applicable).

## Notice To Baseplate Installer

### 1. It is YOUR responsibility to watch for:

- Oil cooler and air conditioner lines
- Electrical wires and hoses
- Missing parts or attaching points on the frame

\*\* If the baseplate is improperly installed and is against a wire or hose, it could cause fluid leaks or electrical shorts some time after the actual baseplate installation.

## Permanent Baseplate Safety Cable Installation

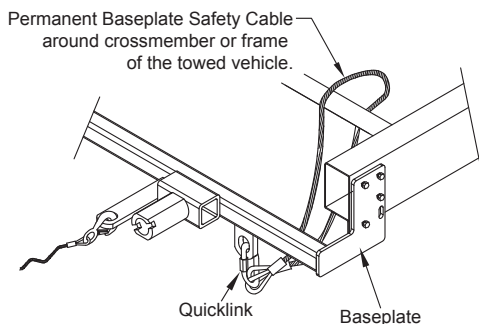
Permanent baseplate safety cables are strongly recommended when towing a vehicle with a tow bar. The principle function of the permanent baseplate safety cables is to prevent the towed vehicle from breaking loose in the event the connection between the frame of the towed vehicle and the baseplate fails or becomes disconnected. The cables must be connected from the baseplate to the frame rail or cross member of the vehicle's frame. The illustrations below show the possible arrangements recommended by Blue Ox®. Each permanent baseplate safety cable must have an adequate weight rating for the towing system. The weight rating of the two (2) cables together will not qualify.

***Do not mount the permanent baseplate safety cables against wires, hoses or brake lines.***

These permanent baseplate safety cables should remain installed as long as the baseplate is installed on the vehicle. Permanent baseplate safety cables are to be used in conjunction with, and NOT a replacement for legally required safety cables attaching the towed vehicle to the towing vehicle.

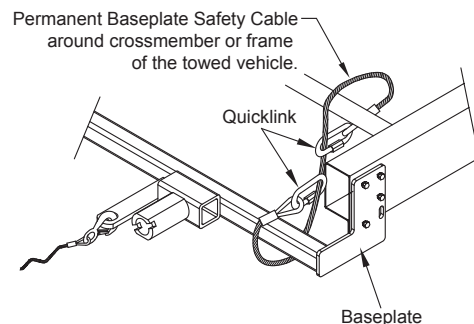
### Option #1

(Baseplates with Convenience Link Tabs)



### Option #2

(Baseplates with out Convenience Link Tabs)





# BLUE OX ORIGINAL PURCHASERS THREE YEAR LIMITED WARRANTY

Automatic Equipment Manufacturing Company ("Automatic") warrants to the original (first) retail purchaser that this product, manufactured by Automatic, shall be free from defect in material and workmanship under normal use and service for a period of three years from the date of delivery.

During said three-year period, Automatic will repair or replace any parts that have been returned by the original purchaser, to the factory, transportation prepaid, and in Automatic's sole and absolute opinion found to be defective.

Limitations on Warranty Coverage:

Coverage under this warranty will be valid only if the customer warranty card is returned by the original purchaser within 30 days of purchase.

Coverage under this warranty will be effective only when a copy of the original invoice, showing date and place of purchase, accompanies any claim for warranty. This warranty is NON TRANSFERABLE.

This limited warranty will not cover, in any way or form, any alleged damages caused by incorrect or improper installation, improper use, modification or neglect of product, failure to properly service and maintain, misuse, act of God, accident or failure of the user to follow guidelines contained in the instructional material provided by Automatic.

This warranty does not cover normal wear and tear, paint or rust.

Warrantor assumes no responsibility to the owner for loss of use of product, loss of time, inconvenience or any other damage consequential or otherwise. Including, but not limited to mileage, expense of transporting of product, return shipping expense, mechanics travel time, telephone, road service, towing, and rental during repairs, travel, lodging, loss or damage to personal property or loss of earnings.

**REPAIR OR REPLACEMENT AS SET FORTH IN THIS LIMITED WARRANTY IS THE SOLE EXCLUSIVE REMEDY OF THE PURCHASER. AUTOMATIC SHALL NOT BE LIABLE FOR ANY INCIDENTAL OR CONSEQUENTIAL DAMAGES FOR BREACH OF ANY EXPRESS OR IMPLIED WARRANTY ON THIS PRODUCT. EXCEPT TO THE EXTENT PROHIBITED BY APPLICABLE LAW, ANY IMPLIED WARRANTY OF MERCHANTABILITY OR FITNESS FOR A PARTICULAR PURPOSE ON THIS PRODUCT IS LIMITED IN LENGTH TO THE DURATION OF THIS WARRANTY.**

Please visit <http://blueox.com/warranty/> to register your warranty

