



BX2159 Installation Instructions
1999-03 Ford Mustang GT

Serial No.

The front fascia is removed for baseplate installation. Holes need to be drilled. Some trimming is needed on the back of fascia. The attachment tabs are centered at 24 inches.



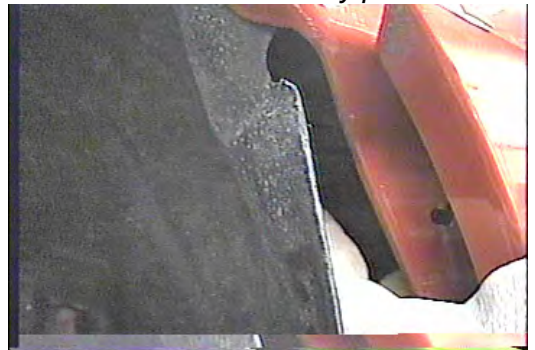
1. Remove the six Phillips head push pins from the top side of the grill.



2. Remove two push pins from the under side of the fascia and belly pan.



3. There is one Phillips head screw on the front of the wheel well to be removed, each side.



4. Pull front wheel well away from fascia and remove two 10MM nuts from inside fender, each side. Remove fascia and set aside.



5. There are existing holes on the passenger side that align with base plate. Insert items 2 and 3 in holes on the under side of frame on passenger side, refer to drawing on page 2. Snug items 5, 6, 7, and 8 into place, do not tighten yet. **Use loctite on all bolts.**



6. Clamp base plate to bumper with vise grips. Drill holes in drive side frame and underside of metal bumper. Refer to page 2 for location on proper installation of fasteners, tighten all fasteners. **Be sure and use loctite on all fasteners.**

Automatic

7. Hold fascia into place and trim where needed and then replace fascia. Be sure to reconnect all electrical devices.
8. Install the tow bar and safety cables according to the instructions included in their respective packaging.
9. **DO NOT** substitute other devices if the tow bar pin or clips are lost. Use only Blue Ox replacement parts.
10. **DEALER OR INSTALLER: BE CERTAIN THE USER RECEIVES THE INSTRUCTION SHEET.**

Parts List

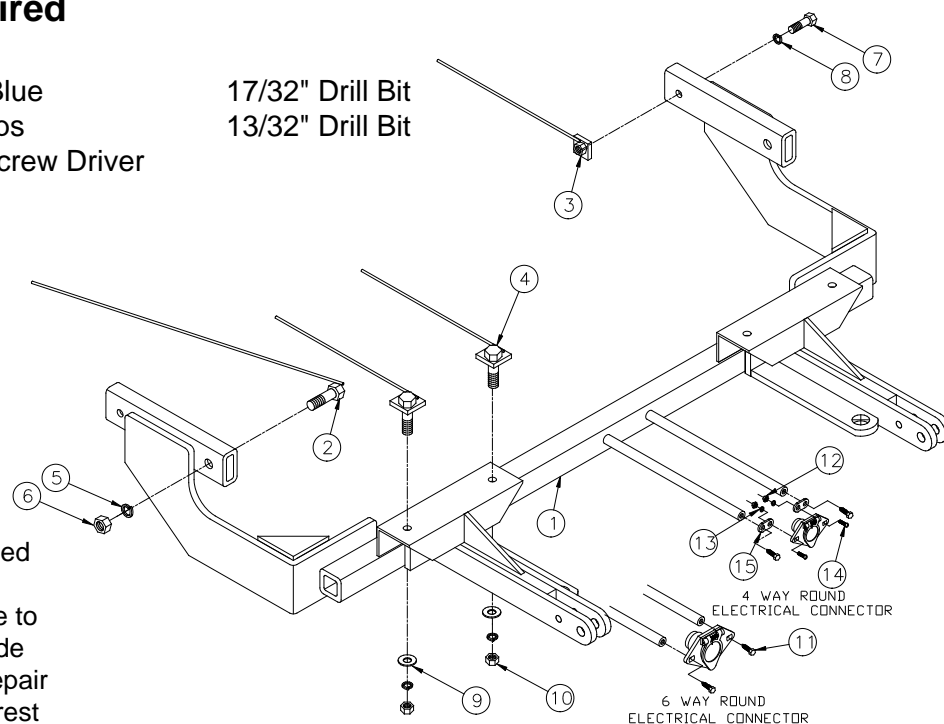
| Ref. No. | Qty. | Part No. | Description |
|----------|------|----------|--|
| 1 | 1 | 61-5592 | Weldment, Base Plate, BX2159 |
| 2 | 2 | 61-5593 | 1/2-13 X 2, Bolt w/ 20 Inch Wire |
| 3 | 2 | 61-5208 | 3/8-16, Nut Plate, w/ 14 Inch Wire |
| 4 | 4 | 61-5383 | 3/8-16 x 1 1/4, Bolt Plate, w/ 13 Inch Wire |
| 5 | 2 | 203-0012 | 1/2 Lock Washer, ZP |
| 6 | 2 | 202-0005 | 1/2-13 Hex Nut, ZP |
| 7 | 2 | 201-0336 | 3/8-16 x 2 1/2 Hex Bolt, Grd. 5, ZP |
| 8 | 6 | 203-0010 | 3/8 Lock Washer, ZP |
| 9 | 4 | 203-0003 | 3/8 Flat Washer, ZP |
| 10 | 4 | 202-0003 | 3/8-16 Hex Nut, ZP |
| 11 | 2 | 201-0553 | 1/4-20 x 1/2 Hx. Wshd, Type F Screw |
| 12 | 2 | 202-0047 | #10-32 Hex Nut |
| 13 | 2 | 203-0054 | #10 Lock Washer |
| 14 | 2 | 201-0192 | #10-32 x 1/2 Slot, Rd. Hd. Screw |
| 15 | 2 | 101-5822 | Adapter, 4 Way Connector |
| | 2 | 226-0046 | Baseplate Safety Cable, 36" CL III (Not Shown) |
| | 4 | 229-0359 | Quicklink, 3/8, ZP (Not Shown) |

Tools Required

10MM Wrench
3/4" Socket
9/16" Socket

Loctite Blue
Vise Grips
Phillip Screw Driver

17/32" Drill Bit
13/32" Drill Bit



IMPORTANT: Use only genuine factory replacement parts on your Base Plate. Do not substitute homemade or nontypical parts. If a bolt is lost or in need of replacement, for your safety and the preservation of your Base Plate, be sure to use a replacement bolt of the same grade (Usually Grade 5, refer to parts list). Repair parts may be ordered through your nearest **Automatic Blue Ox** dealer or distributor.