



RockJock® Professional OffRoad Products presents:

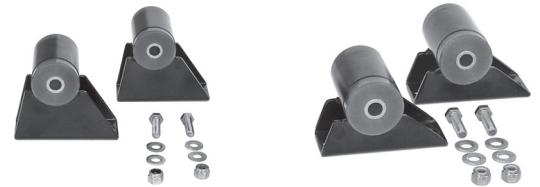
CE-9200 1" Lift & CE-9201 Standard Height Motor Mounts Installation Instructions

Fits

Fits: Jeep YJ, TJ & LJ Wranglers & Unlimiteds from 1987-2006 with 4.0L 6 cylinder engines.

Kit Includes

- 2) CE-9200A1" Lift Motor Mount Bracket
- or CE-9201AStandard Height Motor Mount Bracket
- 4) CE-9200BUrethane Motor Mount Bushing
- 2) CE-9200CSteel Inner Sleeve
- 2) EE-3720CH8.....3/8"-16 x 1 1/4" Bolt
- 4) EE-37WSAEH.....3/8" SAE Flat Washer
- 2) EE-37NS.....3/8" Nylock Nuts

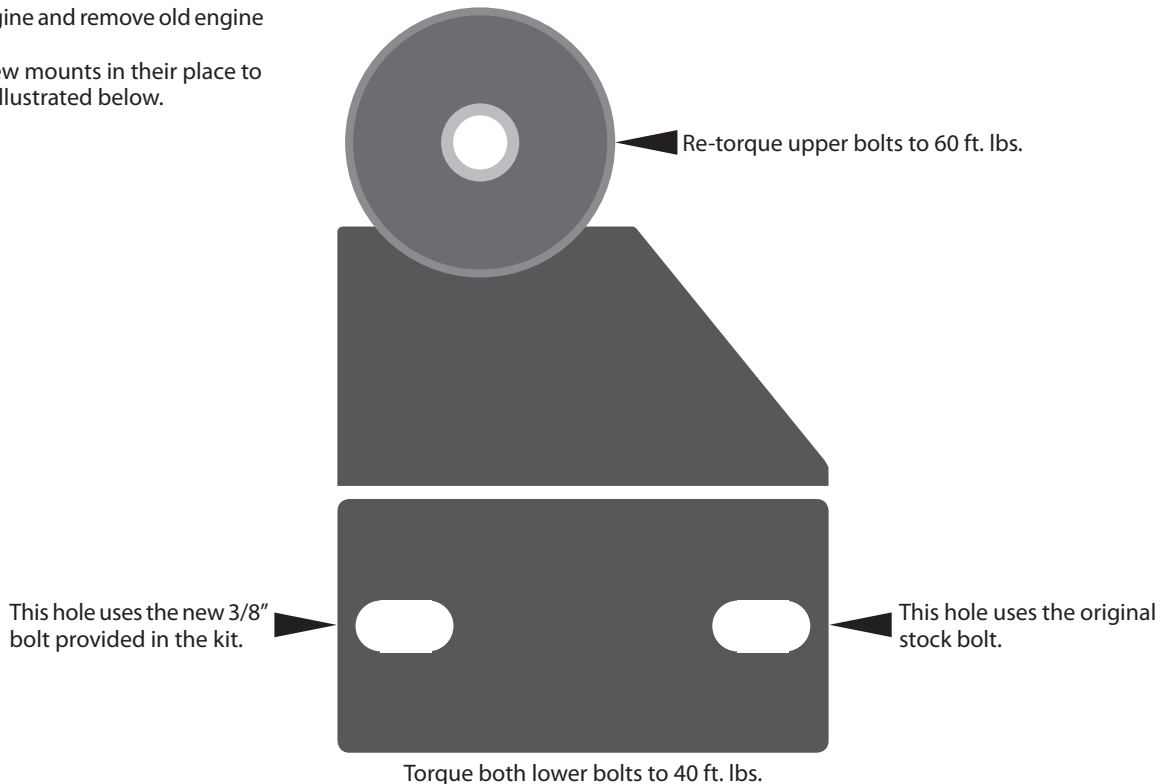


Required Tools

- Complete set of hand tools.

Instructions

- 1) Jack up engine and remove old engine mounts.
2. Reinstall new mounts in their place to the specs. illustrated below.



Currie Enterprises / RockJock Professional Off Road Products
 382 N. Smith Ave., Corona, Ca. 92880
 Ph (714) 528-6957 - F (951) 549-0267
www.rockjock4x4.com

