

KT04007

Jan. 1979 - Sept. 1983 Toyota FJ-40 Body Mount Kit

Part Number	Description	Quantity	Location (see Figure 1)
M02353	Body Bushing	4	1,5
M02388	Body Bushing	2	3
M02201	Body Bushing	4	4
M02850	Body Bushing	2	1
M02421	Body Bushing	4	3,5
M02927	1/4" Polyurethane Pad	2	2
S10126	Washer	6	1,3,5
S10104	Washer	4	3,5
S10138	Washer	2	1
S10038	Steel Tubing	6	1,3,5

Removal

Spray all nuts to be removed generously with your favorite rust buster.

Note: When disassembling, note the quantity and position of any shims that may have been inserted for body alignment. These shims will have to be reused to insure proper body alignment.

Remember: Only raise body high enough to remove & replace mounts. Always watch the fan shroud for sufficient clearance when raising the body. When jacking the body use a long enough 2x4 or 4x4 for maximum support. Never put jack directly on body panels.

Install body mounts one side at a time with bolts on opposite side loosened only.

Retorque to factory specifications.

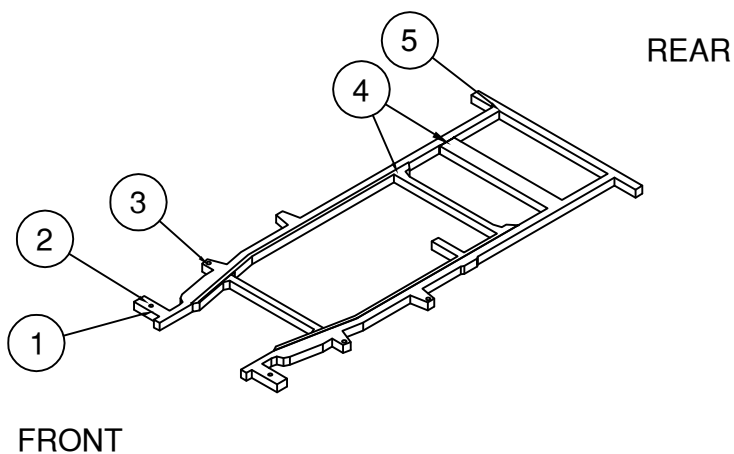


FIGURE 1

