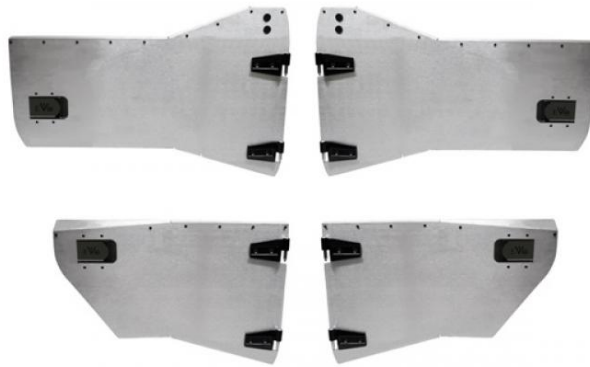




EVO-1160AL/EVO-1161AL/EVO-213AL

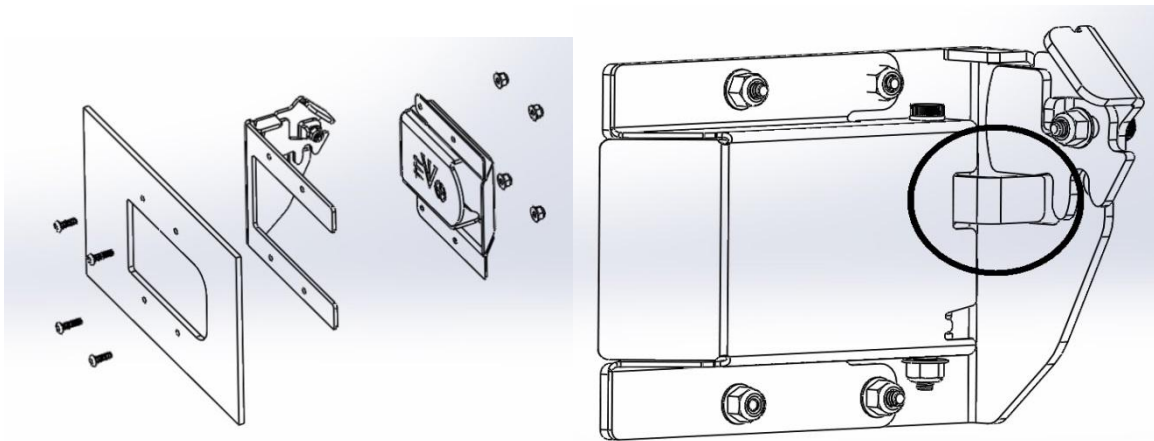
EVO Half Doors



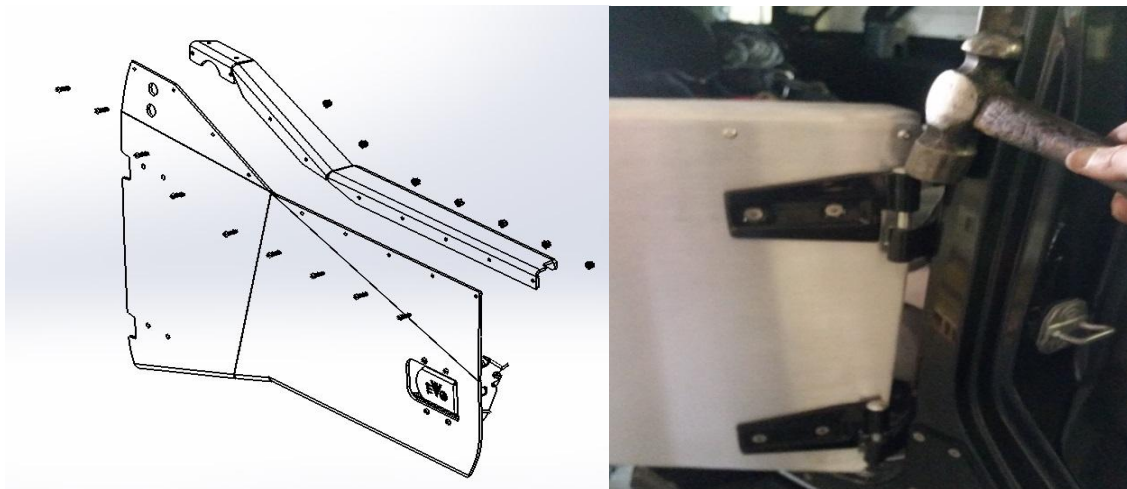
Bill of Materials

EVO-1160AL EVO Half Doors Front		
Part number	Description	Quantity
EVO-12122	EVO Front Driver Door Upper	1
EVO-12123	EVO Front Driver Door Lower	1
EVO-12124	EVO Front Passenger Door Upper	1
EVO-12125	EVO Front Passenger Door Lower	1
EVO- 770055	EVO Doors Hardware Pack	1
EVO-1160 EVO Half Doors Rear		
Part number	Description	Quantity
EVO-12126	EVO Rear Driver Door Upper	1
EVO-12127	EVO Rear Driver Door Lower	1
EVO-12128	EVO Rear Passenger Door Upper	1
EVO-12129	EVO Rear Passenger Door Lower	1
EVO-770055	EVO Doors Hardware Pack	1

1. Unplug wiring harness and release limit strap for each door. For rear doors, this will require partial removal of interior trim panels. Remove the 2 body clips directly above the strap and on the floor to access the plug and limit strap. Replace trim when finished.
2. Remove the bolts on the bottom of the hinges using a Torx size T-50.
3. Carefully lift doors out of hinges and store them in a safe place.
4. Using the supplied cap screws, a 1/8 hex (Allen) wrench and a 3/8 wrench, fasten the latches to the doors as shown below. Be sure that the "EVO" logo is oriented correctly and latch is engaged by the handle (circled below).



5. Again using the supplied cap screws, a 1/8 hex (Allen) wrench and a 3/8 wrench, attach the upper door panels to the lower door panels.
6. Loosely bolt the supplied hinges to the door panels. Don't tighten them yet.
7. Fit the door hinges into the body hinges. You may need to tap them gently with a small hammer to line them up.



8. Replace the Jeep's hinge bolts using a Torx size T-50.
9. With the hinges in place and the door latched close, tighten the hinges to the door.
10. For front doors, if mirrors are going to be used, remove the mirrors from your Jeep's doors by removing the 2 Torx T-30 screws holding them in place on the inside of the door. Attach them to your EVO Half Doors using the supplied brackets as shown below. If mirrors aren't going to be used, put the supplied black plugs in the mirror mounting holes.

