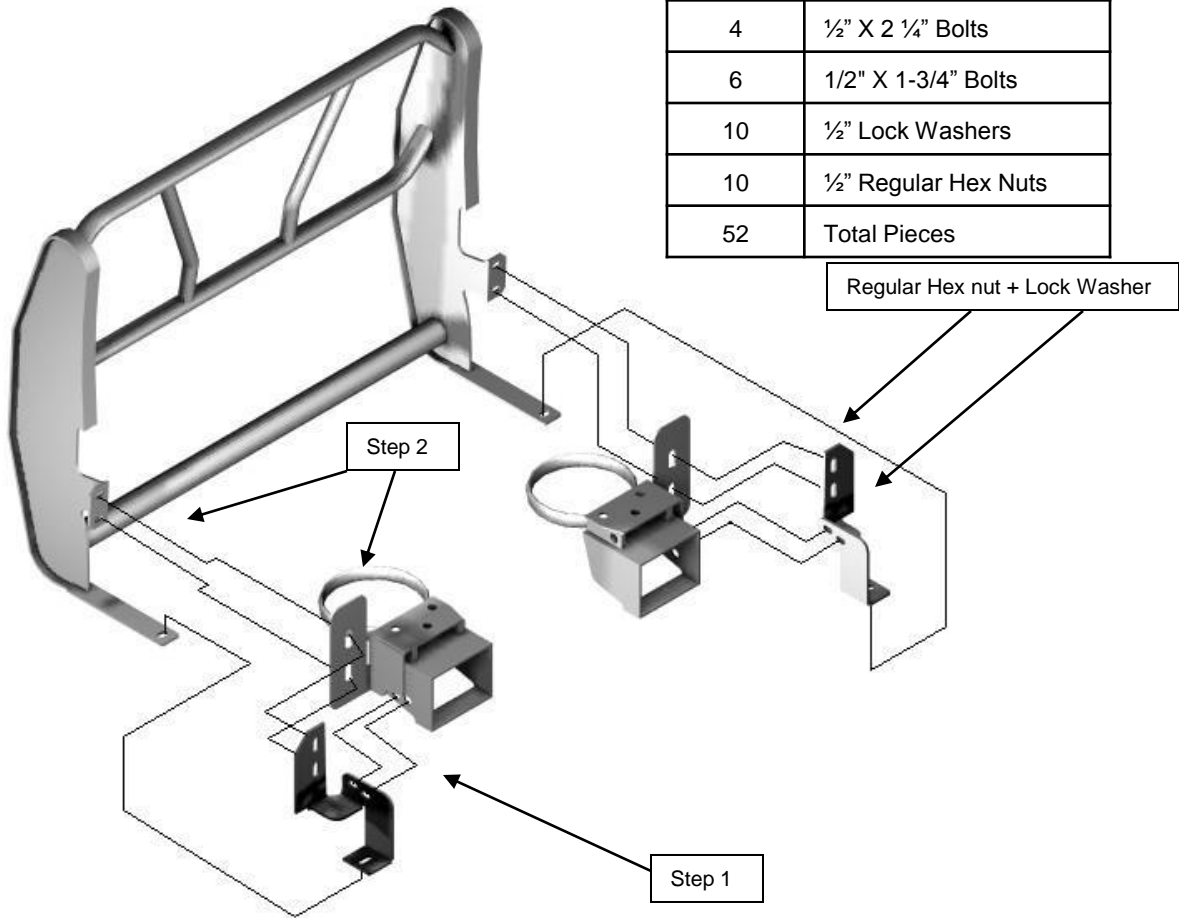


11-14 Ford F250-F450 Grille Guard Installation Instructions.
Part # 200-11-1004, XGG Part # 700-11-1004

Bolt Bag Contents:	
Quantity	Description
2	Bottom support brackets
20	1/2" Flat Washers
4	1/2" X 2 1/4" Bolts
6	1/2" X 1-3/4" Bolts
10	1/2" Lock Washers
10	1/2" Regular Hex Nuts
52	Total Pieces



Step 1: Install bottom support bracket behind frame horn. NOTE: You must use regular 1/2" hex nuts and 1/2" lock washers on the bolts going through the truck frame!! You will access the bolt head through a small hole located on the inside/bottom of truck frame when you are tightening.

Step 2: Mount grill guard to frame horn and Bottom Support Bracket using 1/2" lock nuts. Bolts will go through the grill guard bracket and the frame horn on the front. Foot of Grille Guard on the bottom goes UNDER bottom support bracket.

Step 3: Check alignment of grille guard to truck and tighten all bolts.