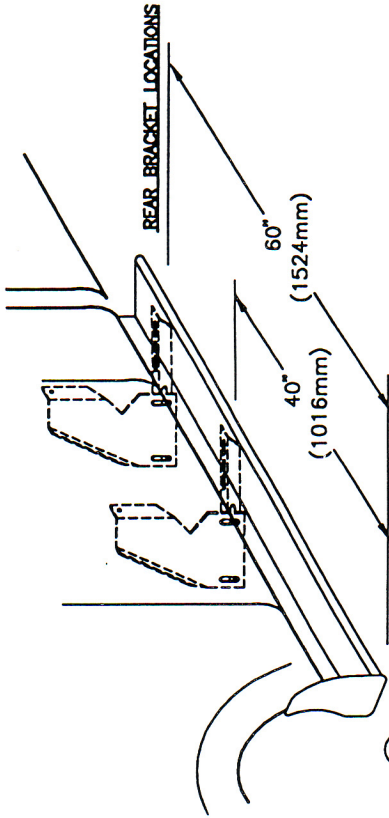
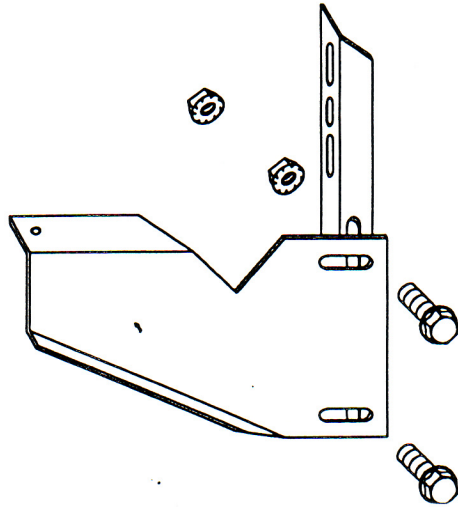


TOOLS REQUIRED: 5/16" DRILL • 1/2" HEX SOCKET • 1/2" WRENCH • 5/16" NUT DRIVER • 3/8" NUT DRIVER
YOUR BRACKET MOUNT HOLES WILL NEED TO BE DRILLED INTO THE BODY

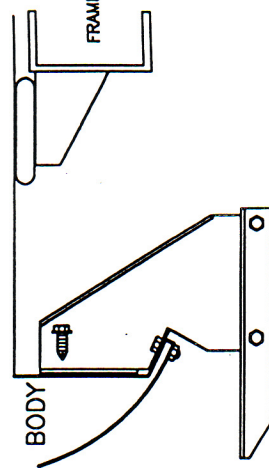


MEASURE FROM FRONT WHEEL WELL TO BRACKET LOCATIONS. MARK THIS DIMENSION ON THE PINCH WELD
 (DRIVERS SIDE SHOWN)

② BRACKET ASSEMBLY ASSEMBLE WITH 5/16" BOLTS

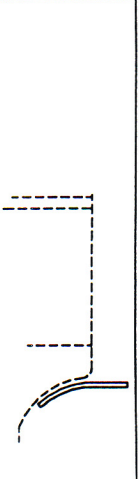


③ BRACKET ASSEMBLY MOUNT TO BODY ASSEMBLE WITH 5/16" BOLTS AND #14 SELF DRILLING TEK SCREW

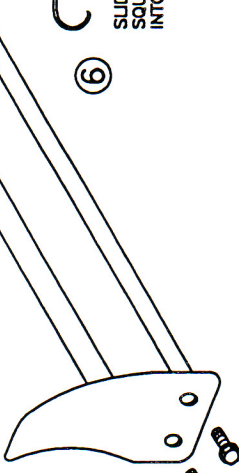


MOUNT AT LOCATION SHOWN AT ①

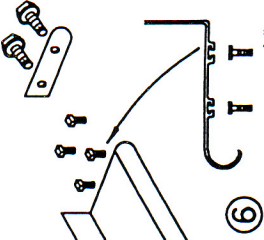
④ BEND STONE GUARD BY HAND AND KNEE TO FIT THE WHEEL WELL BEFORE INSTALLING TO RUNNING BOARD



⑤ FASTEN FRONT STONE GUARD TO BOARDS WITH 3/8" SELF TAPPING BOLT. BEND STONE GUARD BY HAND AND KNEE TO FIT THE WHEEL WELL

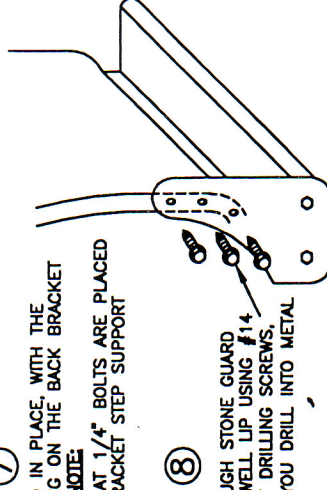


⑦ INSTALL END CAP TO BOARD WITH 3/8" SELF TAPPING BOLT



⑥ SLIDE TWO 1/4"x5/8" SQUARE HEAD SCREW INTO EACH TRACK.

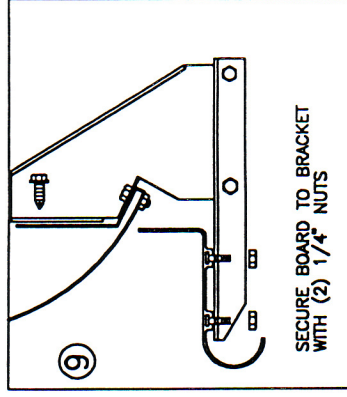
⑦ HOLD BOARD IN PLACE, WITH THE REAR RESTING ON THE BACK BRACKET
NOTE:
 BE SURE THAT 1/4" BOLTS ARE PLACED INTO THE BRACKET STEP SUPPORT



⑧ SCREW THROUGH STONE GUARD INTO FENDERWELL LIP USING #14 MAKE SURE YOU DRILL INTO METAL

⑩ 3 PLACES AT EACH STONE GUARD WITH BOARD LEVEL TIGHTEN ALL LOOSE BOLTS

⑪ REPEAT FOR OTHER SIDE



⑨ SECURE BOARD TO BRACKET WITH (2) 1/4" NUTS

INSTALLATION PARTS LIST:

| QTY. | DESCRIPTION |
|------|--------------------------------------|
| 1 | RUNNING BOARD 1 DRIVER & 1 PASSENGER |
| 1 | STONE GUARD 1 LEFT & 1 RIGHT |
| 8 | 3/8"x1 SELF TAPPING SCREW |
| 10 | #14x3/4" TEK SCREW |
| 8 | 1/4"x5/8" SQUARE HEAD SCREW |
| 8 | 1/4"-20 HEX NUT |
| 1 | END CAP 1 LEFT & 1 RIGHT |
| 16 | 5/16"x 3/4" WASHER HEAD BOLT |
| 16 | 5/16"-18 HEX WASHER HEAD NUT |
| 4 | FLAT BRACKET, FLO7 |
| 4 | HORIZONTAL BRACKET, SUPPORT, 3124F |

IN17
 05/15/02