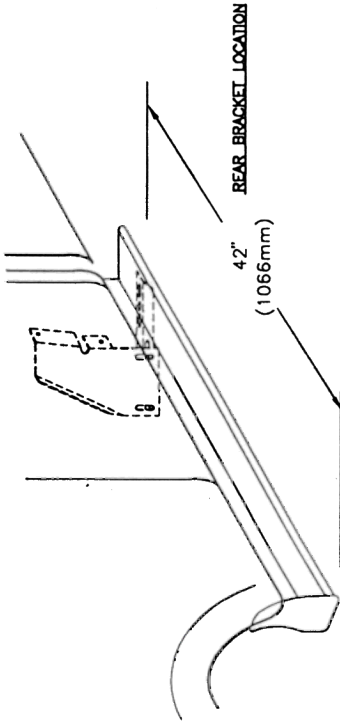


94-CURRENT DODGE STANDARD CAB

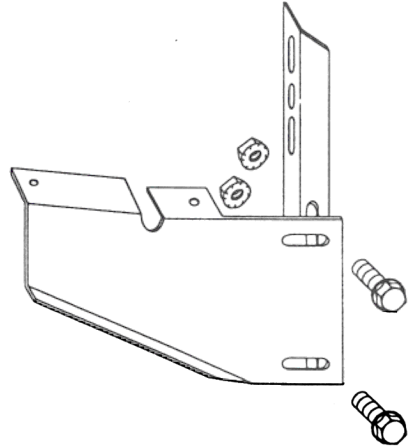
IN-18 02/07/01

TOOLS REQUIRED: 5/16" DRILL • 1/2" HEX SOCKET • 1/2" WRENCH • 5/16" NUT DRIVER • 3/8" NUT DRIVER
YOUR BRACKET MOUNT HOLES WILL NEED TO BE DRILLED INTO THE BODY

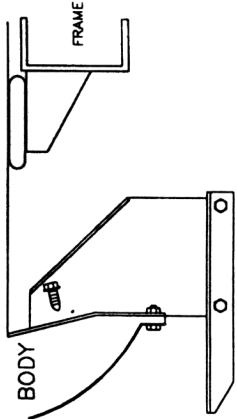


① MEASURE FROM FRONT WHEEL WELL TO BRACKET LOCATION
 MARK THIS DIMENSION ON THE PINCH WELD
 (DRIVERS SIDE SHOWN)

② BRACKET ASSEMBLY
 ASSEMBLE WITH 5/16" BOLTS



③ BRACKET ASSEMBLY MOUNT TO BODY
 ASSEMBLE WITH 5/16" BOLTS AND
 #14 SELF DRILLING TEK SCREW

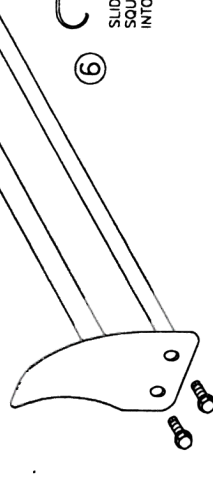


MOUNT AT LOCATION SHOWN AT ①

④ BEND STONE GUARD BY HAND AND
 KNEE TO FIT THE WHEEL WELL
 BEFORE INSTALLING TO RUNNING BOARD



⑤ FASTEN FRONT STONE GUARD
 TO BOARDS WITH 3/8" SELF
 TAPPING BOLT. BEND STONE
 GUARD BY HAND AND KNEE
 TO FIT THE WHEEL WELL



⑦

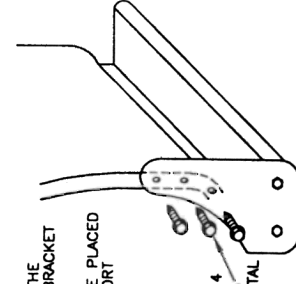
INSTALL END CAP TO BOARD
 WITH 3/8" SELF TAPPING BOLT



⑥

SLIDE ONE 1/4" x 5/8"
 SQUARE HEAD SCREW
 INTO EACH TRACK.

⑦ HOLD BOARD IN PLACE, WITH THE
 REAR RESTING ON THE BACK BRACKET
NOTE:
 BE SURE THAT 1/4" BOLTS ARE PLACED
 INTO THE BRACKET STEP SUPPORT

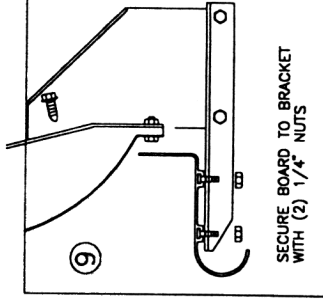


⑧

SCREW THROUGH STONE GUARD
 INTO FENDERWELL LIP USING #14
 BY 3/4 SELF DRILLING SCREWS.
 MAKE SURE YOU DRILL INTO METAL

3 PLACES AT EACH STONE GUARD

⑩ WITH BOARD LEVEL TIGHTEN
 ALL LOOSE BOLTS



SECURE BOARD TO BRACKET
 WITH (2) 1/4" NUTS

⑪

REPEAT FOR OTHER SIDE

INSTALLATION
 PARTS LIST:

QTY.	DESCRIPTION
1	RUNNING BOARD 1 DRIVER & 1 PASSENGER
1	STONE GUARD 1 LEFT & 1 RIGHT
8	3/8" x 1 SELF TAPPING SCREW
8	#14 x 3/4" TEK SCREW
4	1/4 x 5/8" SQUARE HEAD SCREW
4	1/4-20 HEX NUT

QTY. DESCRIPTION

1	END CAP 1 LEFT & 1 RIGHT
6	5/16" x 3/4" WASHER HEAD BOLT
6	5/16-18 HEX WASHER HEAD NUT
2	FLAT BRACKET
2	HORIZONTAL BRACKET, SUPPORT, 3124F

IN-18
 02/07/01