



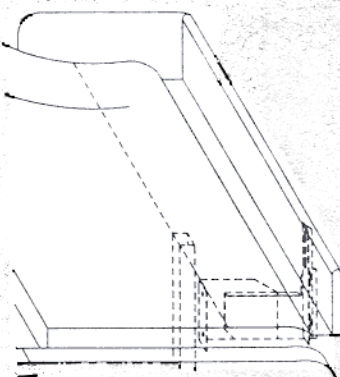
88-98 CHEVY/GMC BOX BOARD

IN217
05/02/03

DRILLING INTO BODY AND FRAME IS REQUIRED.

INSTALLATION PARTS LIST	QTY.	DESCRIPTION	QTY.	DESCRIPTION
1	1	RUNNING BOARD	2	5/16" CLIP NUT
2	1	DRIVER & 1 PASSENGER	10	5/16" x 3/4" BOLT
3	1	STONE GUARD LEFT & 1 RIGHT	8	5/16-18 HEX WASHER HEAD NUT
4	8	3/8"x1 SELF TAPPING SCREW	2	FLAT BRACKET, FL74
5	6	#14x3/4" SHEET METAL SCREW	2	FLAT BRACKET, FL73 D&P
6	4	1/4x5/8" SQUARE HEAD SCREW	2	HORIZONTAL BRACKET, SUPPORT, 3124F
7	4	1/4-20 HEX NUT	2	#14 x 3/4 TEK SCREW
8	1	END CAP 1 LEFT & 1 RIGHT		

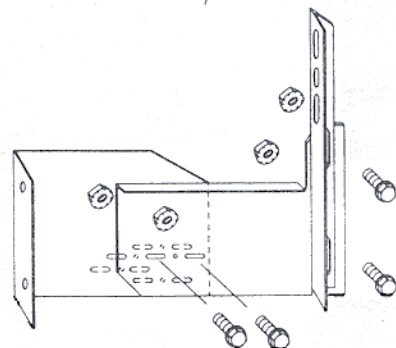
TOOLS REQUIRED: 5/16" DRILL • 1/2" HEX SOCKET • 1/2" WRENCH • 5/16" NUT DRIVER • 3/8" NUT DRIVER



BOX BRACKET LOCATION
(DRIVERS SIDE SHOWN)

① LOCATE THE FIRST BED CROSS BRACE
BEHIND THE CAB

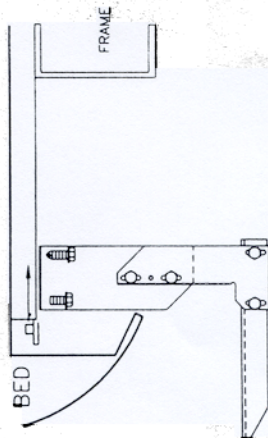
② BRACKET ASSEMBLY
ASSEMBLE WITH 5/16" BOLTS



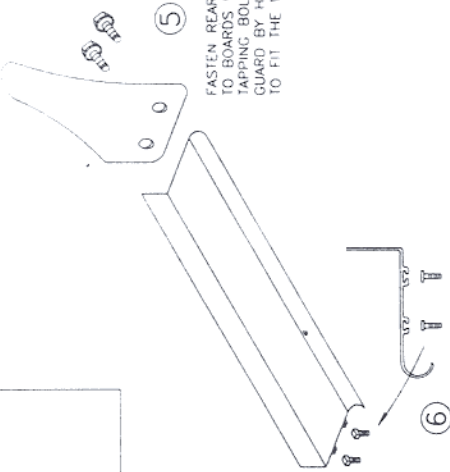
MOUNT AT LOCATION SHOWN AT ①

③

PREDRILL A 5/16" HOLE NEAR
THE END OF THE CROSSBRACE
SLIDE NUT CUP INTO END OF CROSS
BRACE AT BRACKET LOCATION
BRACKET ASSEMBLY MOUNT TO BED
ASSEMBLE WITH 5/16" BOLTS AND NUT
CUP AND #14 SELF DRILLING SCREW



④ BEND STONE GUARD BY HAND AND
KNEE TO FIT THE WHEEL WELL
BEFORE INSTALLING TO RUNNING BOARD



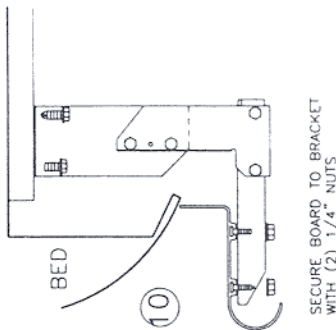
FASTEN REAR STONE GUARD
TO BOARDS WITH 3/8" SELF
TAPPING BOLT. BEND STONE
GUARD BY HAND AND KNEE
TO FIT THE WHEEL WELL.

⑥ SLIDE ONE 1/4"x5/8"
SQUARE HEAD SCREW
INTO EACH TRACK.

⑦ INSTALL END CAP TO BOARD
WITH 3/8" SELF TAPPING BOLT

⑧ HOLD BOARD IN PLACE, WITH THE
FRONT RESTING ON THE BOX BRACKET
NOTE:
BE SURE THAT 1/4" BOLTS ARE PLACED
INTO THE BRACKET STEP SUPPORT

⑨ SCREW THROUGH STONE GUARD
INTO FENDERWELL LIP USING #14
BY 3/4 SHEET METAL SCREWS.
MAKE SURE YOU DRILL INTO METAL
3 PLACES AT EACH STONE GUARD



⑩

REPEAT FOR OTHER SIDE

⑪

WITH BOARD LEVEL, TIGHTEN
ALL LOOSE BOLTS

NEWBOX
INCL 17/03
05/02/03

OWENS PRODUCTS-1000 PROGRESS STREET-STURGIS, MI 49091 • 616-651-2300 • TOLL-FREE: 800-726-9367 • FAX 616-651-9328 • WEB: www.owens-pro.com