



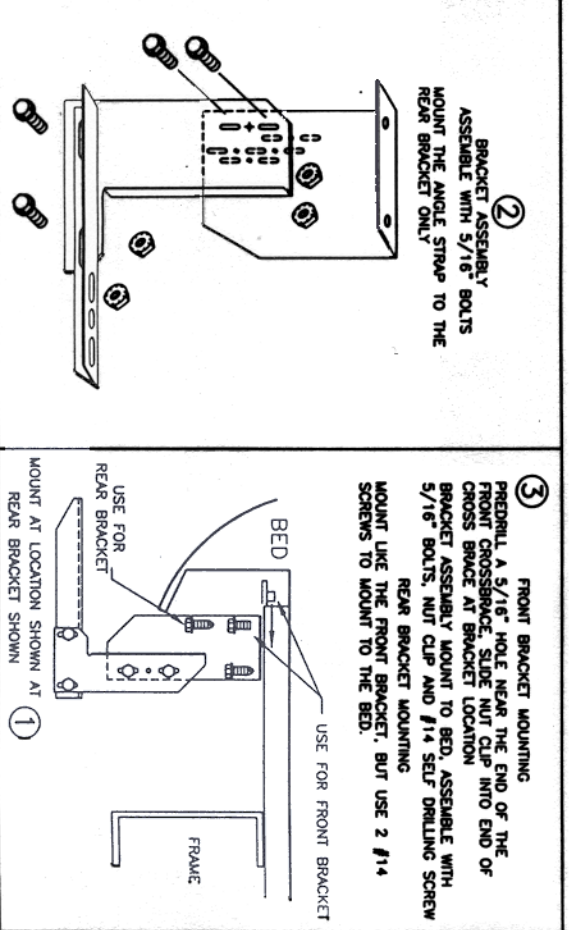
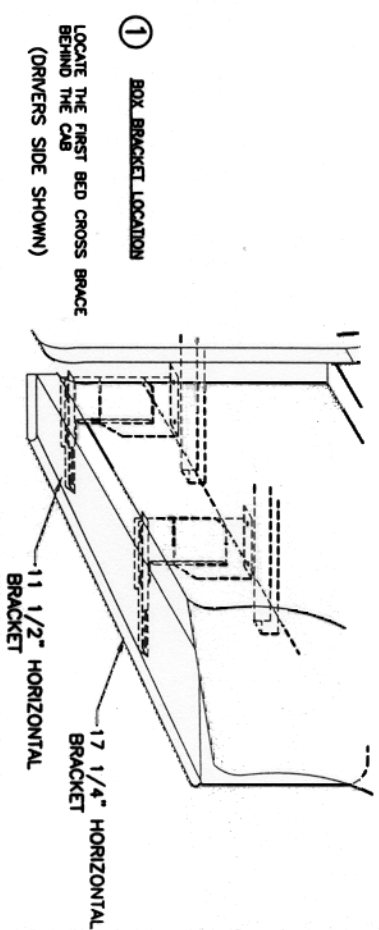
# 94-01 DODGE RAM DUALLY BOARD

IN219  
08/22/03

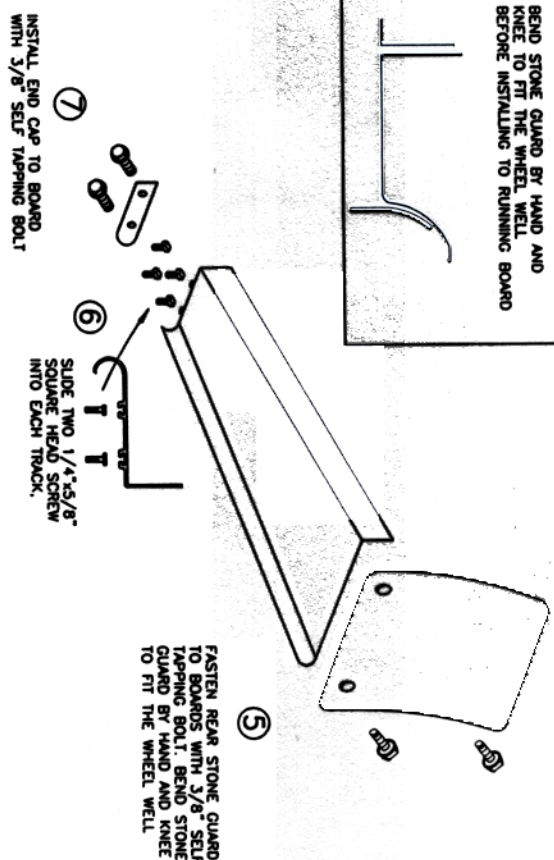
DRILLING INTO BODY AND FRAME IS REQUIRED.

INSTALLATION PARTS LIST:		QTY. DESCRIPTION	
1	DUALLY BOARD 1 DRIVER & 1 PASSENGER	2	5/16" CLIP NUT
1	STONE GUARD 1 LEFT & 1 RIGHT	20	5/16" x 3/4" BOLT
8	3/8" x 1" SELF TAPPING SCREW	18	5/16-18 HEX WASHER HEAD NUT
6	#14x3/4" SHEET METAL SCREW	4	FLAT BRACKET, FL74
8	1/4x5/8" SQUARE HEAD SCREW	4	FLAT BRACKET, FL73 O&P
8	1/4-20 HEX NUT	2	HORIZONTAL BRACKET, 11 1/2", 3124F
1	END CAP 1 LEFT & 1 RIGHT	2	HORIZONTAL BRACKET, 17 1/4", 3124G
		10	#14 x 3/4 TEK SCREW

**TOOLS REQUIRED:** 5/16" DRILL • 1/2" HEX SOCKET • 1/2" WRENCH • 5/16" NUT DRIVER • 3/8" NUT DRIVER



4 BEND STONE GUARD BY HAND AND KNEE TO FIT THE WHEEL WELL BEFORE INSTALLING TO RUNNING BOARD



8 HOLD BOARD IN PLACE WITH THE BOARD RESTING ON THE BOX BRACKETS  
NOTE: BE SURE THAT 1/4" BOLTS ARE PLACED INTO THE BRACKET STEP SUPPORT

