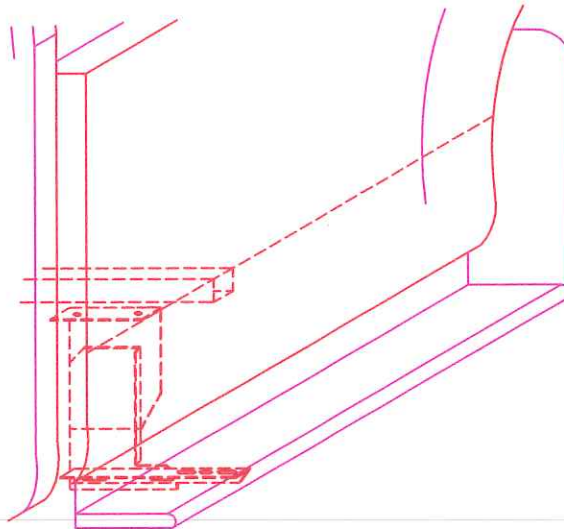


DRILLING INTO BODY AND FRAME IS REQUIRED.

<u>INSTALLATION PARTS LIST:</u>	<u>QTY.</u>	<u>DESCRIPTION</u>	<u>QTY.</u>	<u>DESCRIPTION</u>
	1	RUNNING BOARD 1 DRIVER & 1 PASSENGER	2	5/16" CLIP NUT
	1	STONE GUARD 1 LEFT & 1 RIGHT	10	5/16"x 3/4" BOLT
	8	3/8"x1 SELF TAPPING SCREW	8	5/16-18 HEX WASHER HEAD NUT
	6	#14x3/4" SHEET METAL SCREW	2	FLAT BRACKET, FL74
	4	1/4x5/8" SQUARE HEAD SCREW	2	FLAT BRACKET, FL73 D&P
	4	1/4-20 HEX NUT	2	HORIZONTAL BRACKET, SUPPORT, 3124F
	1	END CAP 1 LEFT & 1 RIGHT	2	#14 X 3/4 TEK SCREW

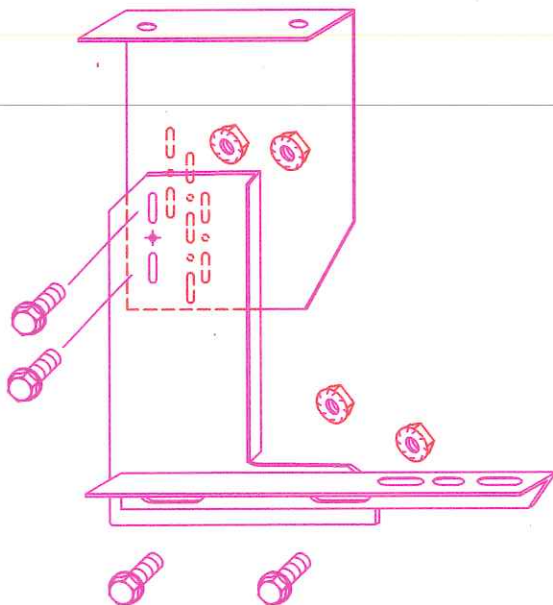
TOOLS REQUIRED: 5/16" DRILL \* 1/2" HEX SOCKET \* 1/2" WRENCH \* 5/16" NUT DRIVER \* 3/8" NUT DRIVER

BOX BRACKET LOCATION  
(DRIVERS SIDE SHOWN)



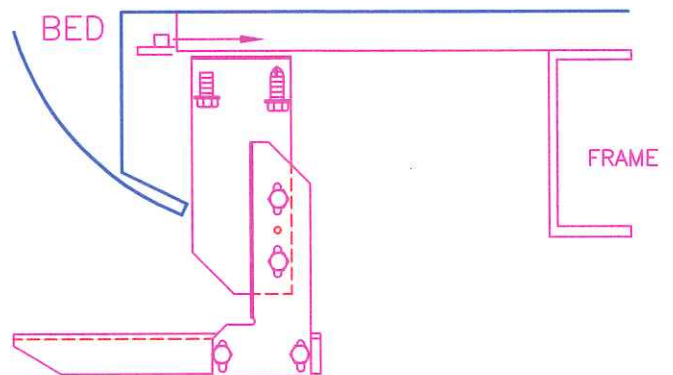
① LOCATE THE FIRST BED CROSS BRACE BEHIND THE CAB

② BRACKET ASSEMBLY ASSEMBLE WITH 5/16" BOLTS



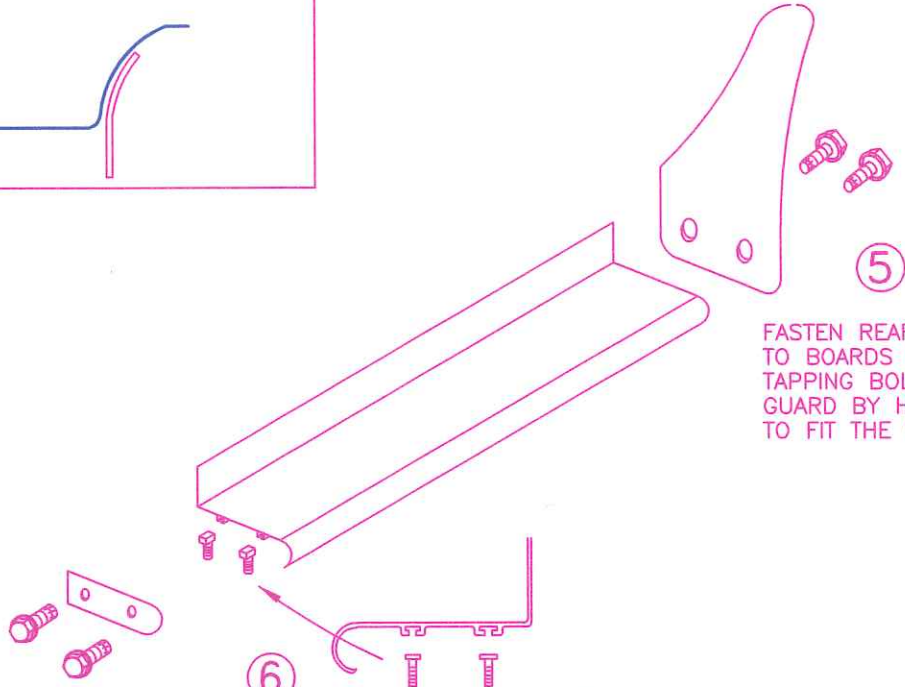
③ PREDRILL A 5/16" HOLE NEAR THE END OF THE CROSSBRACE SLIDE NUT CUP INTO END OF CROSS BRACE AT BRACKET LOCATION

BRACKET ASSEMBLY MOUNT TO BED ASSEMBLY WITH 5/16" BOLTS AND NUT CUP AND #14 SELF DRILLING SCREW



MOUNT AT LOCATION SHOWN AT ①

④ BEND STONE GUARD BY HAND AND KNEE TO FIT THE WHEEL WELL BEFORE INSTALLING TO RUNNING BOARD



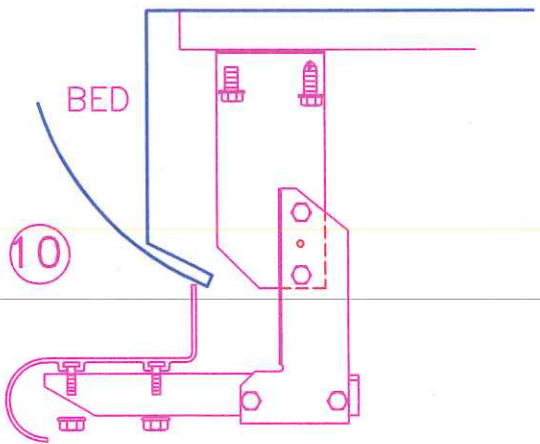
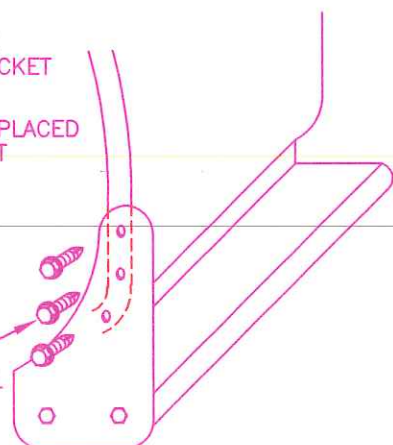
⑤ FASTEN REAR STONE GUARD TO BOARDS WITH 3/8" SELF TAPPING BOLT. BEND STONE GUARD BY HAND AND KNEE TO FIT THE WHEEL WELL

⑦ INSTALL END CAP TO BOARD WITH 3/8" SELF TAPPING BOLT

⑥ SLIDE ONE 1/4"x5/8" SQUARE HEAD SCREW INTO EACH TRACK

⑧ HOLD BOARD IN PLACE, WITH THE FRONT RESTING ON THE BOX BRACKET  
NOTE:  
 BE SURE THAT 1/4" BOLTS ARE PLACED INTO THE BRACKET STEP SUPPORT

⑨ SCREW THROUGH STONE GUARD INTO FENDERWELL LIP USING #14 BY 3/4 SHEET METAL SCREWS, MAKE SURE YOU DRILL INTO METAL  
 3 PLACES AT EACH STONE GUARD



⑩ SECURE BOARD TO BRACKET WITH (2) 1/4" NUTS

⑪ WITH BOARD LEVEL TIGHTEN ALL LOOSE BOLTS

⑫ REPEAT FOR OTHER SIDE

NEWBOX  
 IN222  
 05/02/03