



# 88-98 CHEVY/GMC EXTENDED CAB

IN236B  
07/15/05

DRILLING INTO BODY AND FRAME IS REQUIRED.

**INSTALLATION PARTS LIST:**

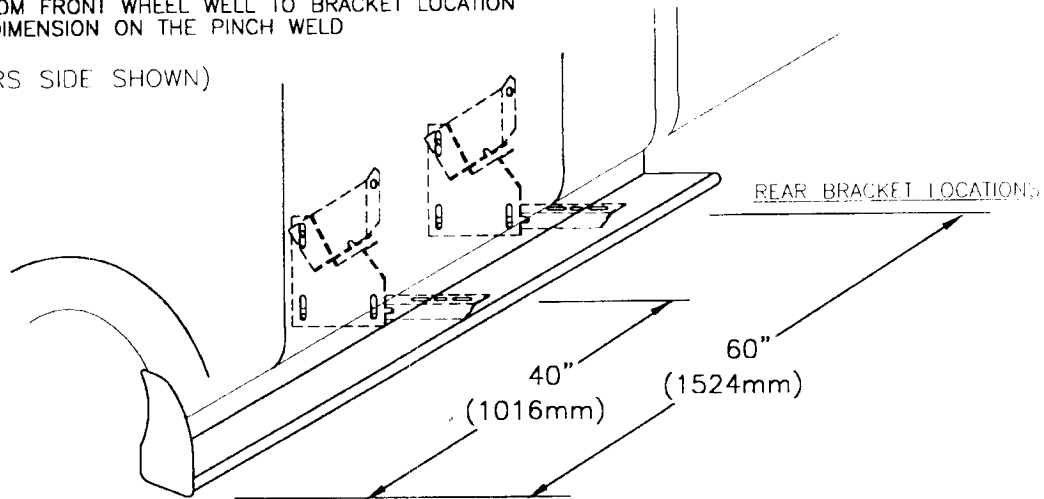
QTY.	DESCRIPTION
1	RUNNING BOARD 1 DRIVER & 1 PASSENGER
2	STONE GUARD 1 LEFT & 1 RIGHT
8	3/8"x1 SELF TAPPING SCREW
12	#14x3/4" SHEET METAL SCREW
8	1/4x5/8" SQUARE HEAD SCREW
8	1/4-20 HEX NUT

QTY.	DESCRIPTION
16	5/16"x 3/4" BOLT
16	5/16-18 HEX WASHER HEAD NUT
4	FLAT BRACKET, FL90-2", FL72-OE
4	BENT TAB, BT39
4	HORIZONTAL BRACKET, SUPPORT, 3124F
1	END CAP 1 LEFT & 1 RIGHT

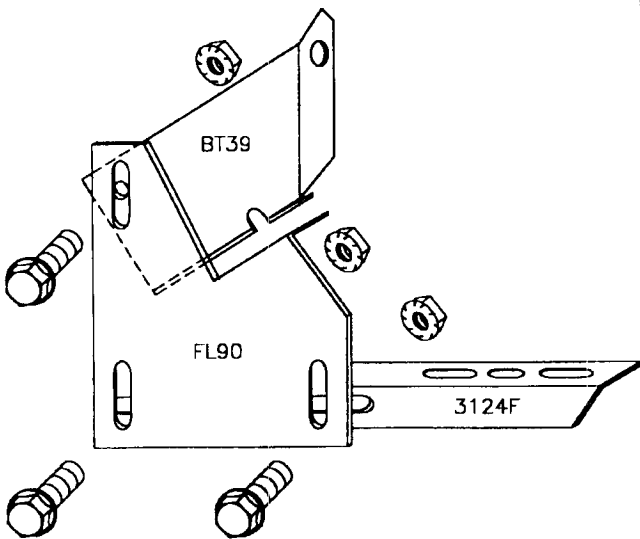
**TOOLS REQUIRED:** 5/16" DRILL \* 1/2" HEX SOCKET \* 1/2" WRENCH \* 5/16" NUT DRIVER \* 3/8" NUT DRIVER

① MEASURE FROM FRONT WHEEL WELL TO BRACKET LOCATION  
MARK THIS DIMENSION ON THE PINCH WELD

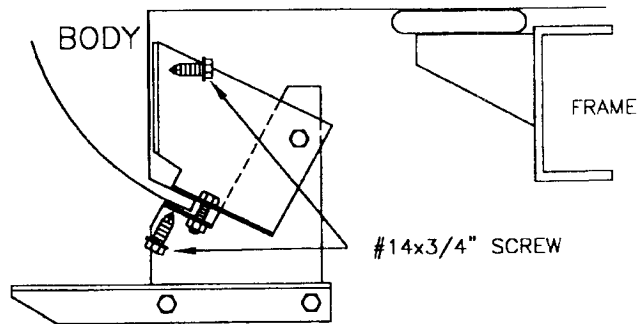
(DRIVERS SIDE SHOWN)



② BRACKET ASSEMBLY  
ASSEMBLE WITH 5/16" BOLTS  
LEAVE BOLTS LOOSE



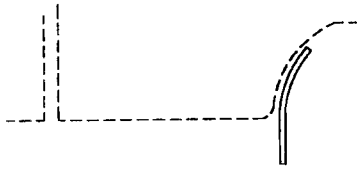
③ BRACKET ASSEMBLY MOUNT TO BODY  
ASSEMBLE WITH 5/16" BOLTS AND  
#14 SELF DRILLING TEK SCREWS  
SLIDE BT39 AND FL90 OVER THE PINCH WELD FLANGE  
WITH BT39 UP AGAINST THE SIDE WALL, BOLT TIGHT TO  
THE PINCH WELD. INSERT ONE #14x3/4" SELF DRILLING  
SCREW THROUGH FL90 INTO THE PINCH WELD AND BT39



MOUNT AT LOCATION SHOWN AT ①

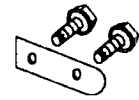
④

BEND STONE GUARD BY HAND AND KNEE TO FIT THE WHEEL WELL BEFORE INSTALLING TO RUNNING BOARD



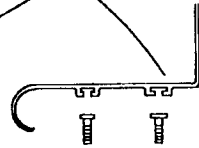
⑦

INSTALL END CAP TO BOARD WITH 3/8" SELF TAPPING BOLT



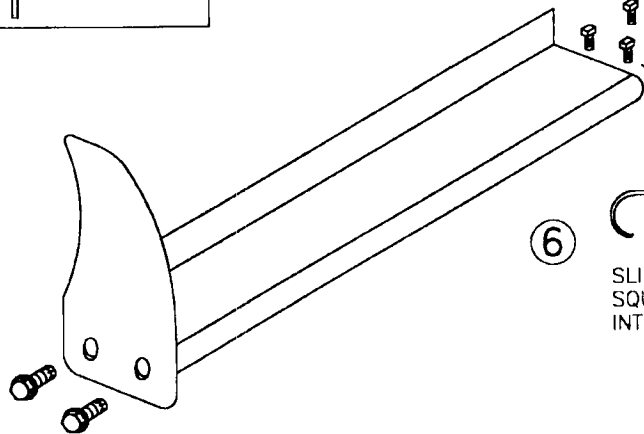
⑥

SLIDE TWO 1/4"x5/8" SQUARE HEAD SCREW INTO EACH TRACK.



⑤

FASTEN FRONT STONE GUARD TO BOARDS WITH 3/8" SELF TAPPING BOLT. BEND STONE GUARD BY HAND AND KNEE TO FIT THE WHEEL WELL



⑧

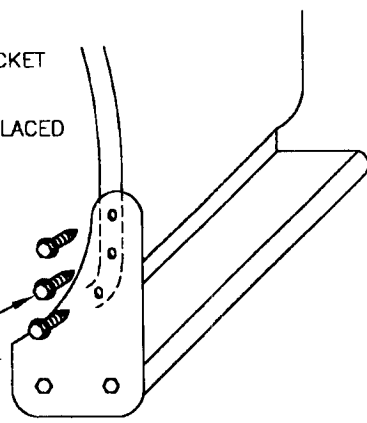
HOLD BOARD IN PLACE, WITH THE REAR RESTING ON THE BACK BRACKET

NOTE:

BE SURE THAT 1/4" BOLTS ARE PLACED INTO THE BRACKET STEP SUPPORT

⑨

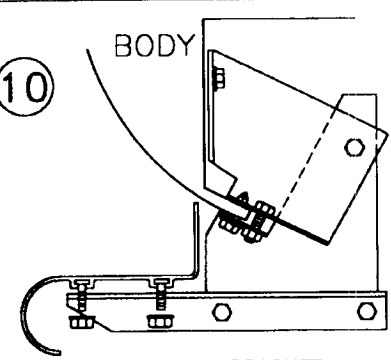
SCREW THROUGH STONE GUARD INTO FENDERWELL LIP USING #14 BY 3/4 SELF DRILLING SCREWS, MAKE SURE YOU DRILL INTO METAL



3 PLACES AT EACH STONE GUARD

⑩

BODY



SECURE BOARD TO BRACKET WITH (2) 1/4" NUTS

⑪

WITH BOARD LEVEL TIGHTEN ALL LOOSE BOLTS

IN236B  
07/15/04

⑫

REPEAT FOR OTHER SIDE