



87-96 FORD F150 CREW CAB

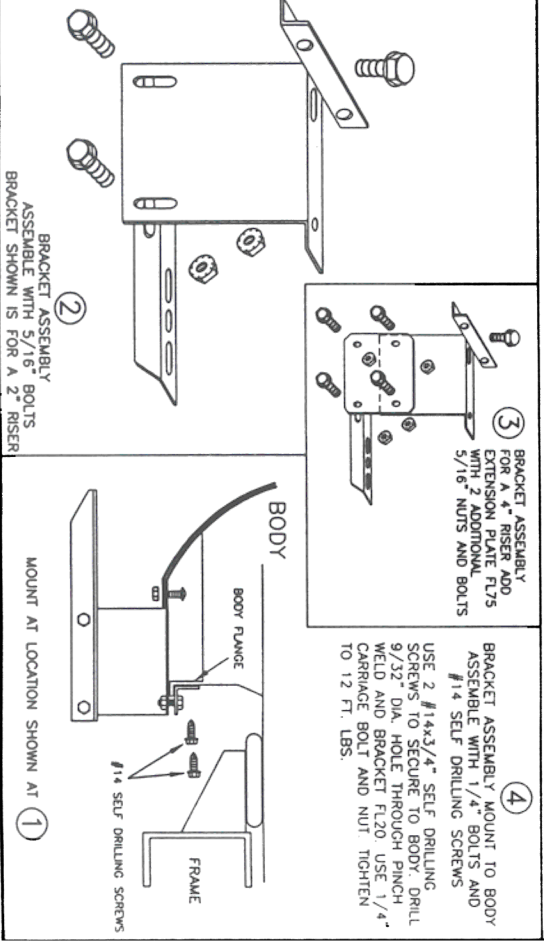
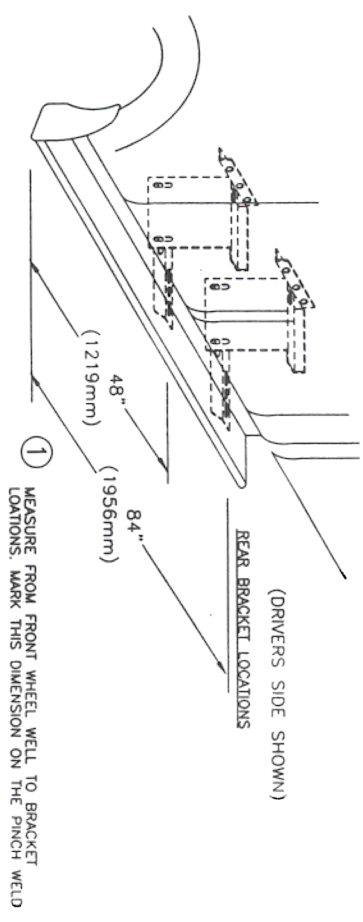
DRILLING INTO BODY AND FRAME IS REQUIRED.

IN242
08/22/03

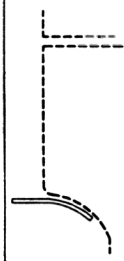
QTY.	DESCRIPTION
1	RUNNING BOARD 1 DRIVER & 1 PASSENGER
1	STONE GUARD 1 LEFT & 1 RIGHT
8	3/8" x 1 SELF TAPPING SCREW
14	#14 x 3/4" SHEET METAL SCREW
8	1/4 x 5/8" SQUARE HEAD SCREW
12	1/4-20 HEX NUT
1	END CAP 1 LEFT & 1 RIGHT

QTY.	DESCRIPTION
4	1/4" CARRIAGE BOLT
14	5/16" x 3/4" BOLT
14	5/16-18 HEX WASHER HEAD NUT
4	FLAT BRACKET, FL20
4	FLAT BRACKET, FL75
4	HORIZONTAL BRACKET, SUPPORT, 3124

TOOLS REQUIRED: 5/16" DRILL • 1/2" HEX SOCKET • 1/2" WRENCH • 5/16" NUT DRIVER • 3/8" NUT DRIVER

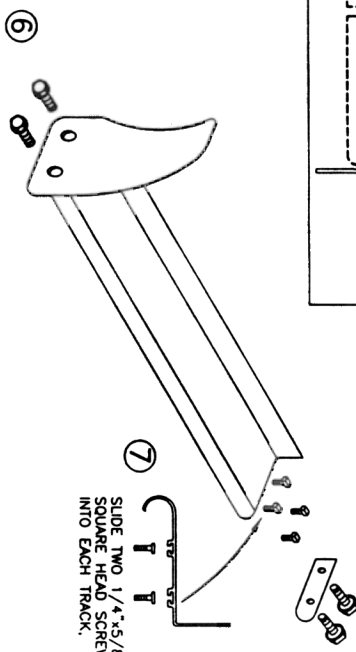


5 BEND STONE GUARD BY HAND AND KNEE TO FIT THE WHEEL WELL BEFORE INSTALLING TO RUNNING BOARD



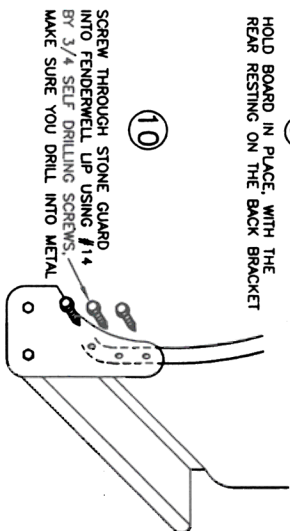
8

INSTALL END CAP TO BOARD WITH 3/8" SELF TAPPING BOLT

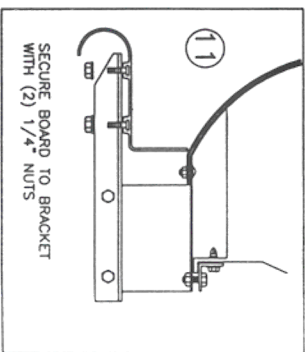


6 FASTEN FRONT STONE GUARD TO BOARDS WITH 3/8" SELF TAPPING BOLT. BEND STONE GUARD BY HAND AND KNEE TO FIT THE WHEEL WELL

9 HOLD BOARD IN PLACE WITH THE REAR RESTING ON THE BACK BRACKET



NOTE: BE SURE THAT 1/4" BOLTS ARE PLACED INTO THE BRACKET STEP SUPPORT



12

WITH BOARD LEVEL TIGHTEN ALL LOOSE BOLTS

13

REPEAT FOR OTHER SIDE