



04-CURRENT F150 SUPER CAB F.L.

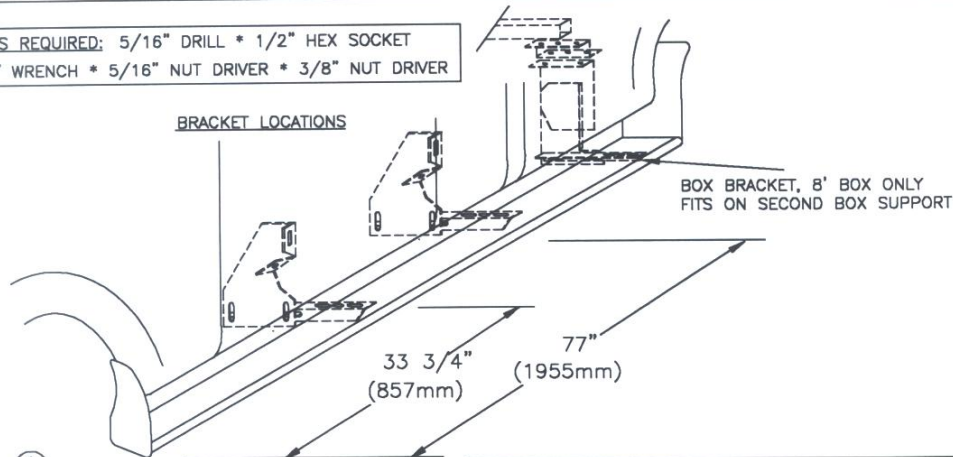
IN249

11/21/03

SOME BRACKETS INSTALL IN FACTORY HOLES

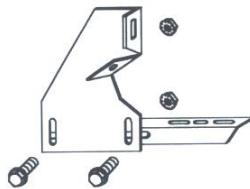
QTY.	5'-6"/8'	DESCRIPTION	QTY.	5'-6"/8'	DESCRIPTION
1		RUNNING BOARD 1 DRIVER & 1 PASSENGER	4/6		HORIZONTAL BRACKET, SUPPORT, 3124F
4		STONE GUARD 2 LEFT & 2 RIGHT	0/2		5/16" CLIP NUT
8		3/8"x1 SELF TAPPING SCREW	12/26		5/16"x 3/4" BOLT
12		#14x3/4" SHEET METAL SCREW	12/24		5/16-18 HEX WASHER HEAD NUT
8/12		1/4x5/8" SQUARE HEAD SCREW	4		FLAT BRACKET, FL83 2", FL86 4"
8/12		1/4-20 HEX NUT	0/2		FLAT BRACKET, FL74
4/6		#14 X 3/4 TEK SCREW	0/2		FLAT BRACKET, FL73 D&P
			0/2		BENT TAB BT32

TOOLS REQUIRED: 5/16" DRILL * 1/2" HEX SOCKET
1/2" WRENCH * 5/16" NUT DRIVER * 3/8" NUT DRIVER

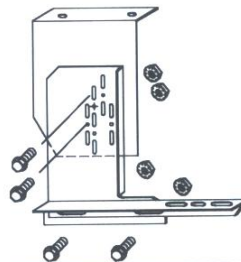


① (DRIVERS SIDE SHOWN)
MEASURE FROM FRONT WHEEL WELL TO BRACKET LOCATIONS. MARK THIS DIMENSION ON THE PINCH WELD

② CAB BRACKET ASSEMBLY
ASSEMBLE WITH 5/16" BOLTS



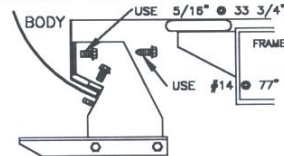
BOX BRACKET ASSEMBLY, 8' BOX ONLY
ASSEMBLE WITH 5/16" BOLTS



③ 5 1/2', 6 1/2' & 8' BOX BRACKET MOUNTING
SLIDE NUT CLIP INTO BODY HOLES
AT BRACKET LOCATION AT 33 3/4"

BRACKET ASSEMBLY MOUNT TO BODY @33"
ASSEMBLE WITH 5/16" BOLTS AND NUT CLIP
NUT CLIP AND 5/16" BOLT

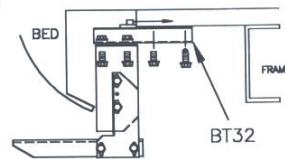
BRACKET ASSEMBLY MOUNT TO BODY @77"
DRILL THROUGH PINCH WELD WITH A 5/16" DRILL
ASSEMBLE WITH 5/16" BOLTS AND #14 SELF DRILLING SCREW



8' BED, REAR BRACKET

PREDRILL A 5/16" HOLE NEAR THE END OF THE CROSSBRACE. SLIDE NUT CLIP INTO END OF CROSS BRACE

ASSEMBLE BT32 TO CROSS BRACE WITH 5/16" BOLT AND NUT CLIP AND #14 SELF DRILLING SCREW
ASSEMBLE FL73 AND FL74 TO CROSS BRACE WITH 5/16" BOLTS AND NUTS



- ④ BEND STONE GUARD BY HAND AND KNEE TO FIT THE WHEEL WELL BEFORE INSTALLING TO RUNNING BOARD

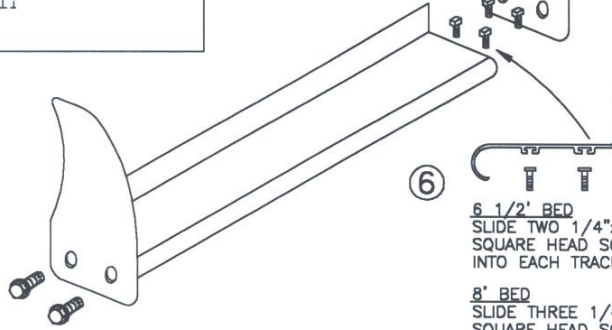


INSTALL STONE GUARD TO OTHER END OF BOARD



⑤

FASTEN FRONT STONE GUARD TO BOARDS WITH 3/8" SELF TAPPING BOLT. BEND STONE GUARD BY HAND AND KNEE TO FIT THE WHEEL WELL



⑥

6 1/2' BED
SLIDE TWO 1/4"x5/8" SQUARE HEAD SCREW INTO EACH TRACK,

8' BED
SLIDE THREE 1/4"x5/8" SQUARE HEAD SCREW INTO EACH TRACK,

NOTE: BE SURE THAT 1/4" BOLTS ARE PLACED INTO THE BRACKET STEP SUPPORT

CAB BRACKETS 5 1/2', 6 1/2' & 8' BED

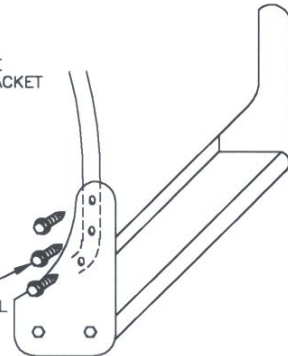
⑧

HOLD BOARD IN PLACE, WITH THE REAR RESTING ON THE BACK BRACKET

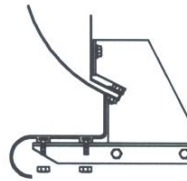
⑨

SCREW THROUGH STONE GUARD INTO FENDERWELL LIP USING #14 BY 3/4 SELF DRILLING SCREWS, MAKE SURE YOU DRILL INTO METAL

3 PLACES AT EACH STONE GUARD

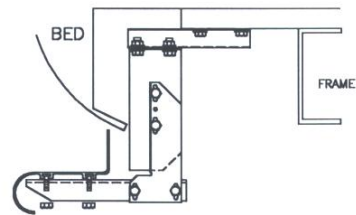


⑩



SECURE BOARD TO BRACKET WITH (2) 1/4" NUTS

8' BED, REAR BRACKET



⑪

WITH BOARD LEVEL TIGHTEN ALL LOOSE BOLTS

IN249
11/21/03

⑫

REPEAT FOR OTHER SIDE