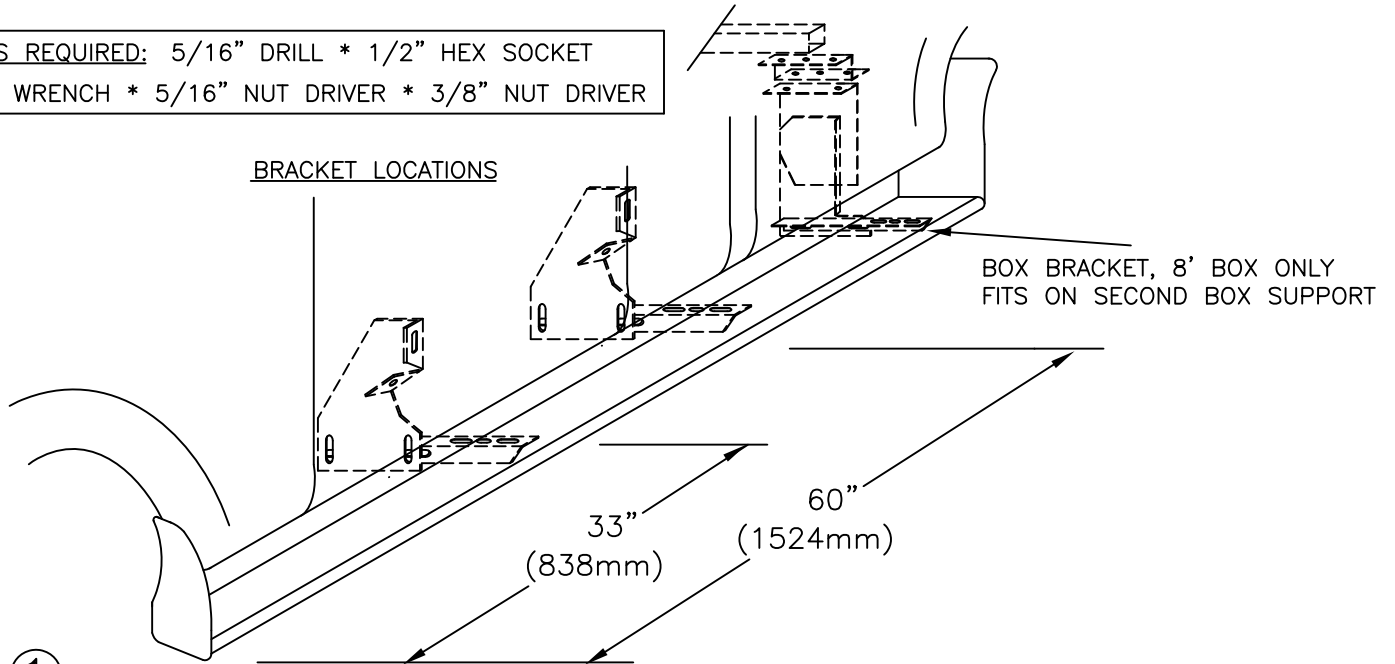


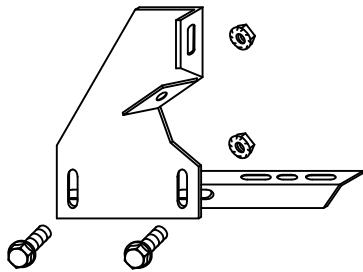
INSTALLATION PARTS LIST:	QTY.6'/8'	DESCRIPTION	QTY.6'/8'	DESCRIPTION
	1	RUNNING BOARD 1 DRIVER & 1 PASSENGER	4/6	HORIZONTAL BRACKET, SUPPORT, 3124F
	4	STONE GUARD 2 LEFT & 2 RIGHT	0/2	5/16" CLIP NUT
	8	3/8"x1 SELF TAPPING SCREW	12/26	5/16"x 3/4" BOLT
	12	#14x3/4" SHEET METAL SCREW	12/24	5/16-18 HEX WASHER HEAD NUT
	8/12	1/4x5/8" SQUARE HEAD SCREW	4	FLAT BRACKET, FL83 2", FL86 4"
	8/12	1/4-20 HEX NUT	0/2	FLAT BRACKET, FL74
	4/6	#14 X 3/4 TEK SCREW	0/2	FLAT BRACKET, FL73 D&P
			0/2	BENT TAB BT32

**TOOLS REQUIRED:** 5/16" DRILL \* 1/2" HEX SOCKET  
1/2" WRENCH \* 5/16" NUT DRIVER \* 3/8" NUT DRIVER

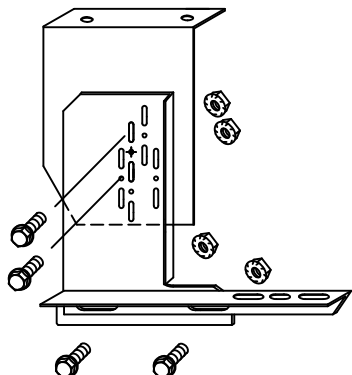


**1** (DRIVERS SIDE SHOWN)  
MEASURE FROM FRONT WHEEL WELL TO BRACKET LOCATIONS. MARK THIS DIMENSION ON THE PINCH WELD

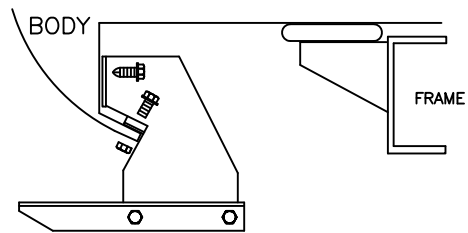
**2** CAB BRACKET ASSEMBLY  
ASSEMBLE WITH 5/16" BOLTS



BOX BRACKET ASSEMBLY, 8' BOX ONLY  
ASSEMBLE WITH 5/16" BOLTS



**3** 6 1/2" & 8" BOX BRACKET MOUNTING  
BRACKET ASSEMBLY MOUNT TO BODY  
DRILL THROUGH PINCH WELD WITH A 5/16" DRILL  
ASSEMBLE WITH 5/16" BOLTS AND  
#14 SELF DRILLING SCREW AT 33" & 60"

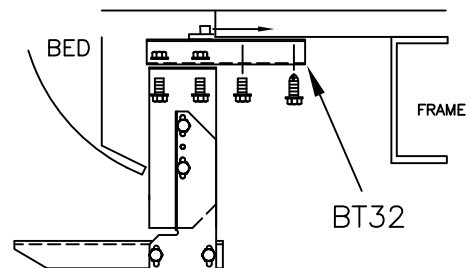


**8' BED, REAR BRACKET**

PREDRILL A 5/16" HOLE NEAR THE END OF THE CROSSBRACE. SLIDE NUT CLIP INTO END OF CROSS BRACE

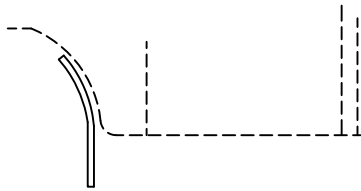
ASSEMBLE BT32 TO CROSS BRACE WITH 5/16" BOLT AND NUT CLIP AND #14 SELF DRILLING SCREW

ASSEMBLE FL73 AND FL74 TO CROSS BRACE WITH 5/16" BOLTS AND NUTS



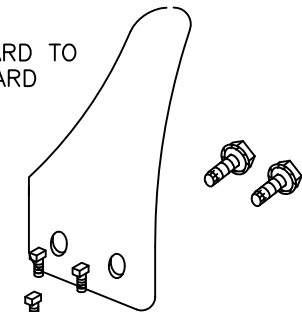
④

BEND STONE GUARD BY HAND AND KNEE TO FIT THE WHEEL WELL BEFORE INSTALLING TO RUNNING BOARD



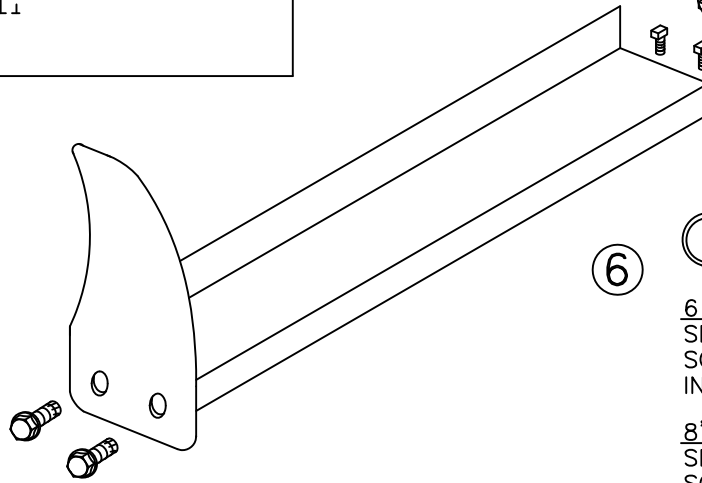
INSTALL STONE GUARD TO OTHER END OF BOARD

⑦



⑤

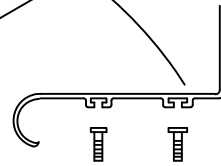
FASTEN FRONT STONE GUARD TO BOARDS WITH 3/8" SELF TAPPING BOLT. BEND STONE GUARD BY HAND AND KNEE TO FIT THE WHEEL WELL



⑥

6 1/2' BED  
SLIDE TWO 1/4"x5/8" SQUARE HEAD SCREW INTO EACH TRACK,

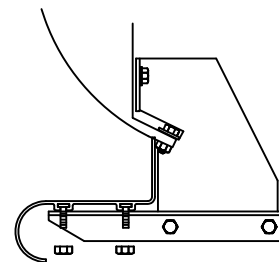
8' BED  
SLIDE THREE 1/4"x5/8" SQUARE HEAD SCREW INTO EACH TRACK,



**NOTE:** BE SURE THAT 1/4" BOLTS ARE PLACED INTO THE BRACKET STEP SUPPORT

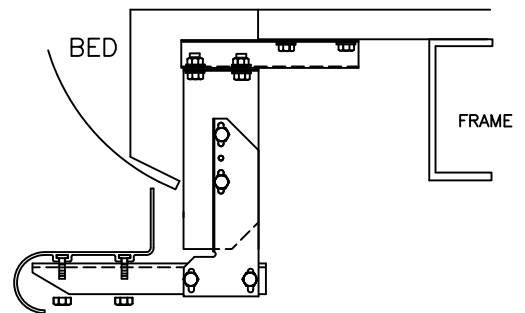
⑩

CAB BRACKETS 6 1/2' & 8' BED



SECURE BOARD TO BRACKET WITH (2) 1/4" NUTS

8' BED, REAR BRACKET



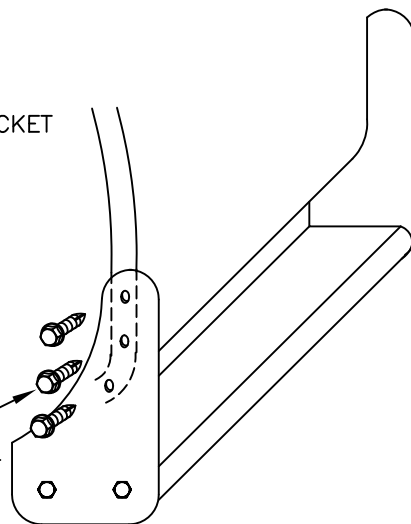
⑧

HOLD BOARD IN PLACE, WITH THE REAR RESTING ON THE BACK BRACKET

⑨

SCREW THROUGH STONE GUARD INTO FENDERWELL LIP USING #14 BY 3/4 SELF DRILLING SCREWS, MAKE SURE YOU DRILL INTO METAL

3 PLACES AT EACH STONE GUARD



⑪

WITH BOARD LEVEL TIGHTEN ALL LOOSE BOLTS

IN259  
11/21/03

⑫

REPEAT FOR OTHER SIDE