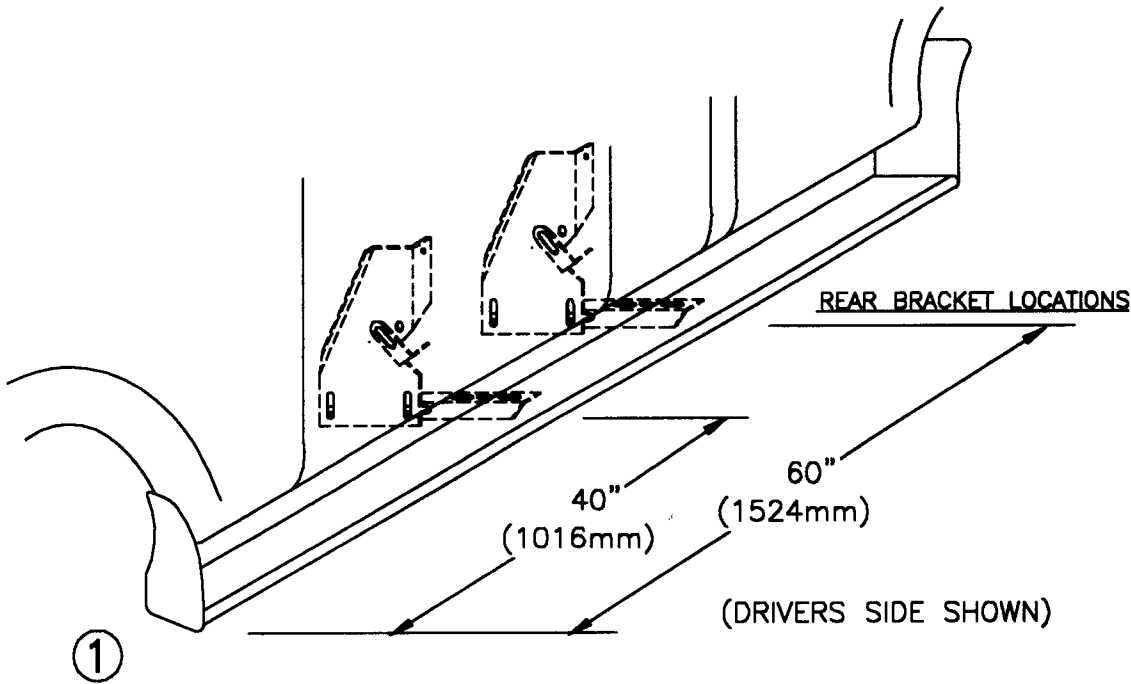


DRILLING INTO THE BODY IS REQUIRED

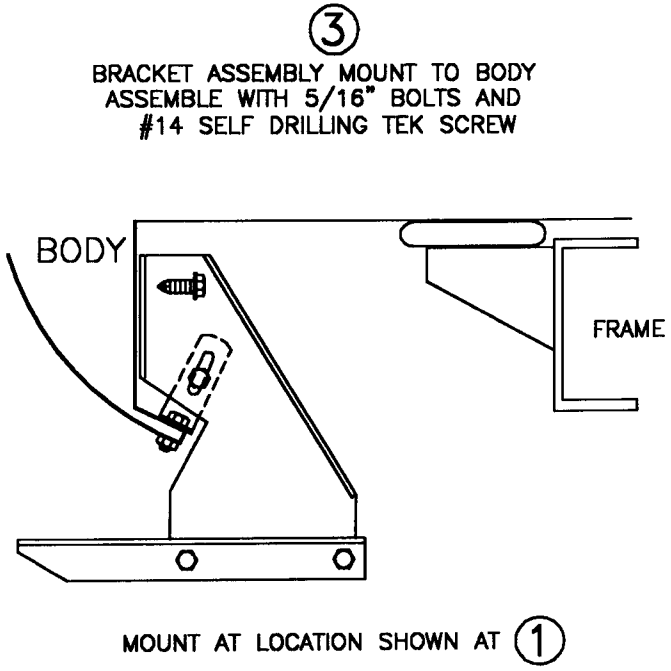
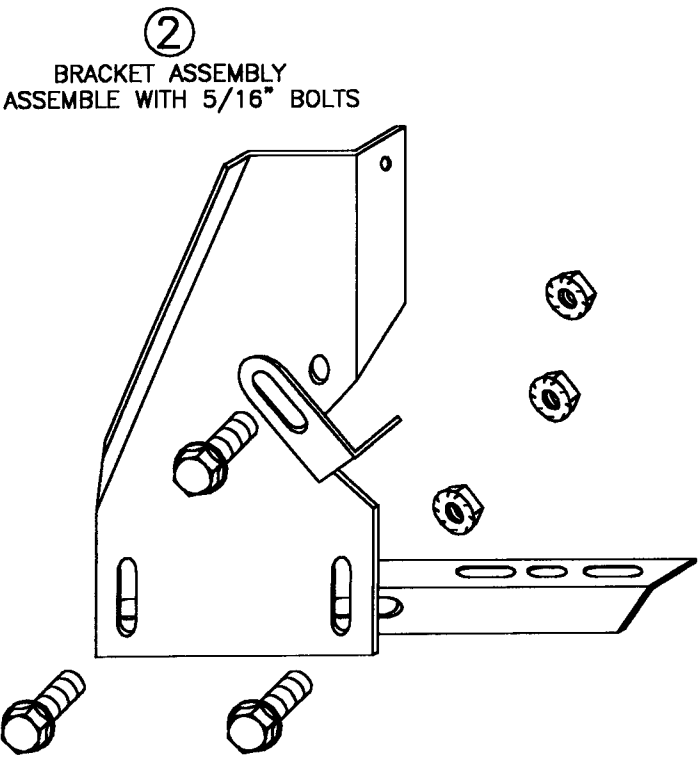
INSTALLATION PARTS LIST:

QTY.	DESCRIPTION	QTY.	DESCRIPTION
1	RUNNING BOARD 1 DRIVER & 1 PASSENGER	4	HORIZONTAL BRACKET, SUPPORT, 3124F
4	STONE GUARD 2 LEFT & 2 RIGHT	16	5/16"x 3/4" WASHER HEAD BOLT
8	3/8"x1 SELF TAPPING SCREW	16	5/16" HEX WASHER HEAD NUT
16	#14x3/4" TEK SCREW	4	FLAT BRACKET, FL07
8	1/4x5/8" SQUARE HEAD SCREW		
8	1/4-20 HEX NUT		
4	ANGLE STRAP, AS01		

TOOLS REQUIRED: 5/16" DRILL * 1/2" HEX SOCKET * 1/2" WRENCH * 5/16" NUT DRIVER * 3/8" NUT DRIVER

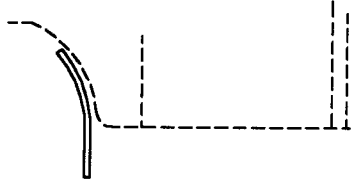


MEASURE FROM FRONT WHEEL WELL TO BRACKET LOCATIONS. MARK THIS DIMENSION ON THE PINCH WELD



④

BEND STONE GUARD BY HAND AND KNEE TO FIT THE WHEEL WELL BEFORE INSTALLING TO RUNNING BOARD



INSTALL STONE GUARD TO OTHER END OF BOARD

⑦

⑥

SLIDE TWO 1/4"x5/8" SQUARE HEAD SCREW INTO EACH TRACK,

⑤

FASTEN FRONT STONE GUARD TO BOARDS WITH 3/8" SELF TAPPING BOLT. BEND STONE GUARD BY HAND AND KNEE TO FIT THE WHEEL WELL

⑧

HOLD BOARD IN PLACE, WITH THE REAR RESTING ON THE BACK BRACKET

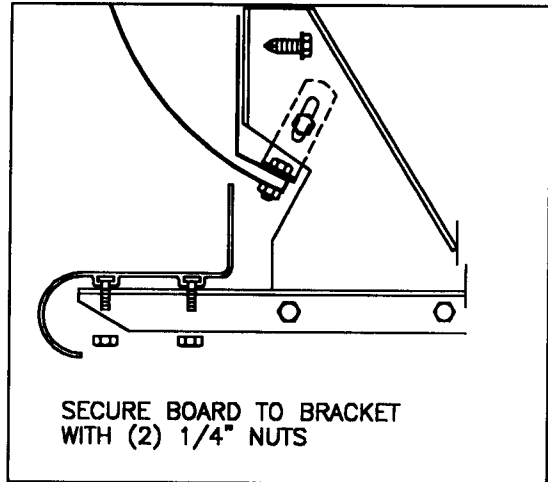
NOTE:

BE SURE THAT 1/4" BOLTS ARE PLACED INTO THE BRACKET STEP SUPPORT

⑨

SCREW THROUGH STONE GUARD INTO FENDERWELL LIP USING #14 BY 3/4" SELF DRILLING SCREWS, MAKE SURE YOU DRILL INTO METAL

3 PLACES AT EACH STONE GUARD



SECURE BOARD TO BRACKET WITH (2) 1/4" NUTS

⑪

WITH BOARD LEVEL TIGHTEN ALL LOOSE BOLTS

⑫

REPEAT FOR OTHER SIDE

IN26A
11/09/05